

Model P260/P261
 12.7mm (1/2") Square
 Rotary Potentiometer
 Sealed or Dust Proof
 Conductive Plastic Element
 1,000,000 Cycle Life
 Rotary Switch Option
 Detent Option
 Multiple Gangs available
 Wire Lead Options
 RoHS Compliant



MODEL STYLES

Side Adjust, PCB Leads, Potentiometer Module (Up to 6 gangs)	P260P
Side Adjust, PCB Leads, with Rotary Switch Module (Up to 5 gangs)	P260S
Side Adjust, PCB Leads, with Detent Module (Up to 6 gangs)	P260D
Top Adjust, PCB Leads, Potentiometer Module (Up to 2 gangs)	P260T
Potentiometer Module with Wire Leads (Up to 6 gangs)	P260L
Potentiometer Module with Ribbon Cable (Up to 6 gangs)	P260R
Side Adjust, Solder Lug Leads, Potentiometer Module (Up to 6 gangs)	P261P
Side Adjust, Solder Lug Leads, with Rotary Switch Module (Up to 5 gangs)	P261S
Side Adjust, Solder Lug Leads, with Detent Module (Up to 6 gangs)	P261D

ELECTRICAL¹

Resistance Range, Ohms	500 -1M (for "B" taper) 2K-1M (for other tapers)
Standard Resistance Tolerance	± 10%
Residual Resistance, Maximum	2 ohms
Input Voltage, Maximum	350 Vac
Power rating, Watts	0.5W- B taper, 0.25W- others
Dielectric Strength	1,500Vac, sea level
Insulation Resistance, Minimum	1,000 Megohms
Gang Error (Multi-ganged), Maximum	+/-3 dB (-40 dB to 0dB)
Actual Electrical Travel, Nominal	265°
Switch Contact Resistance, Maximum	150 milliohms max.
Switch Power Rated	0.5A at 30Vdc

¹ Specifications subject to change without notice.

Model P260/P261

MECHANICAL

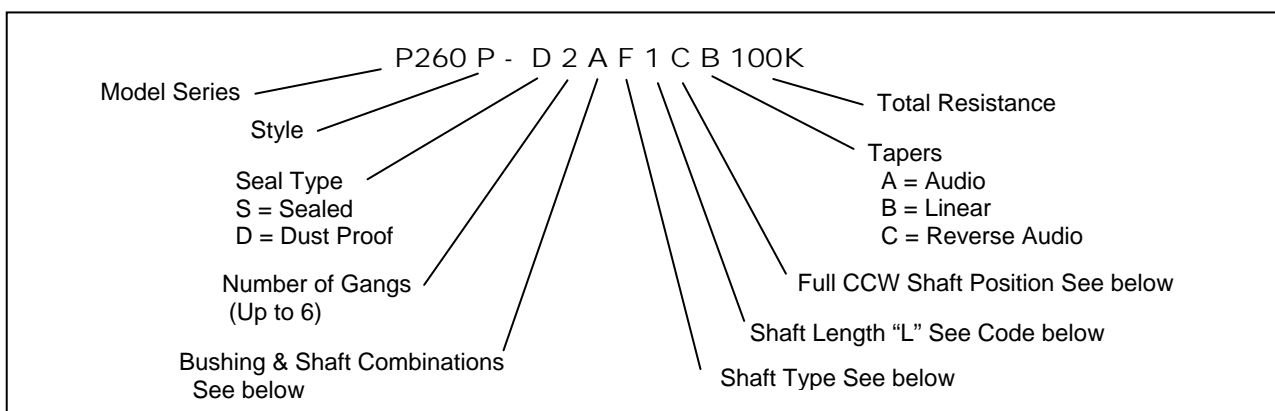
Total Mechanical Travel	295°± 10°
Static Stop Strength	40 oz-in
Rotational Torque, Maximum	1.5 oz-in (0.5 oz-in each additional gang)
Switch Detent, Minimum	2.0 oz-in

ENVIRONMENTAL

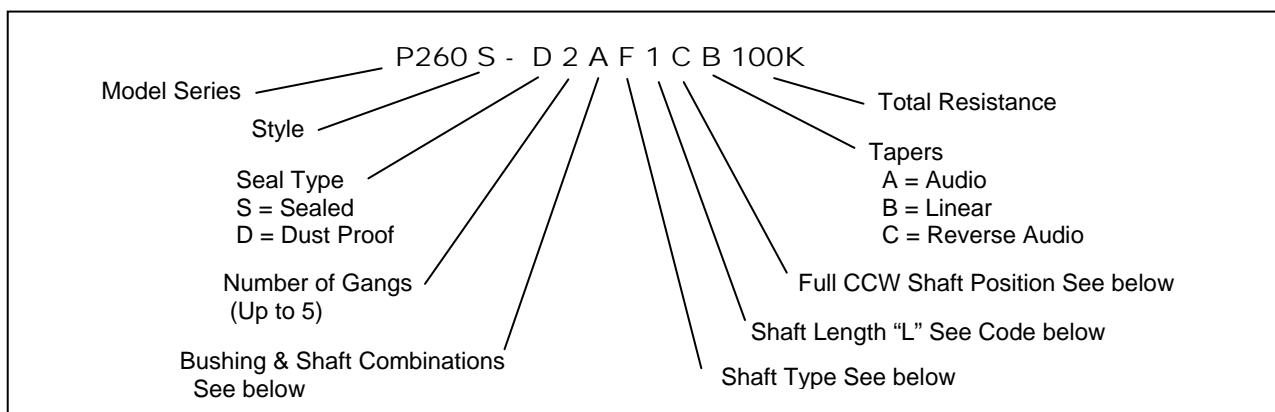
Operating Temperature Range	-55°C to +125°C
Rotational Life	1,000,000 cycles
IP Rating	Sealed = IP66 Dust Proof = IP50

ORDERING INFORMATION²

P260P/P261P – POTENTIOMETER MODULE



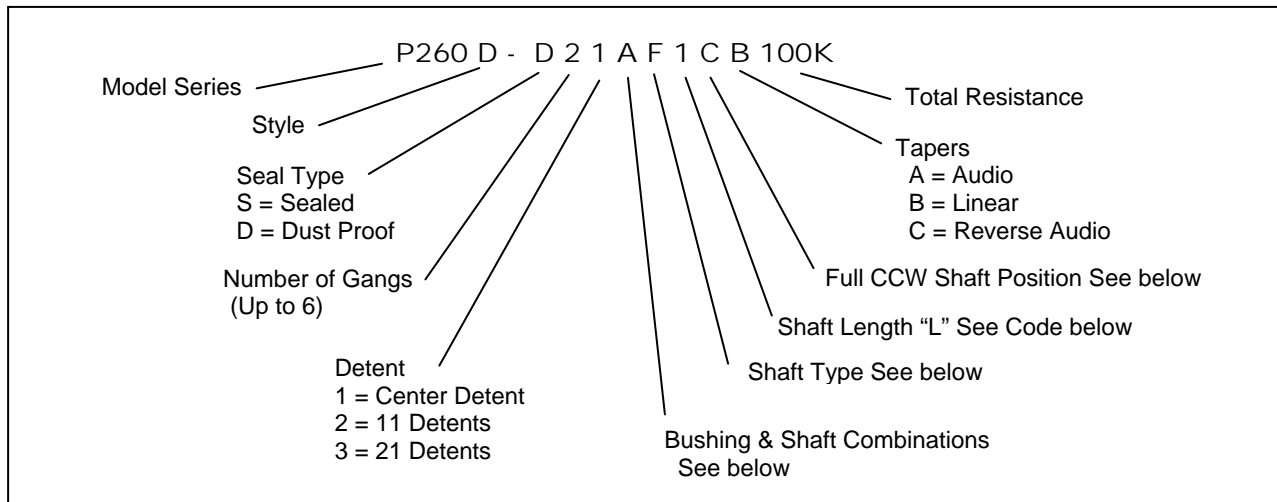
P260S/P261S – WITH ROTARY SWITCH MODULE



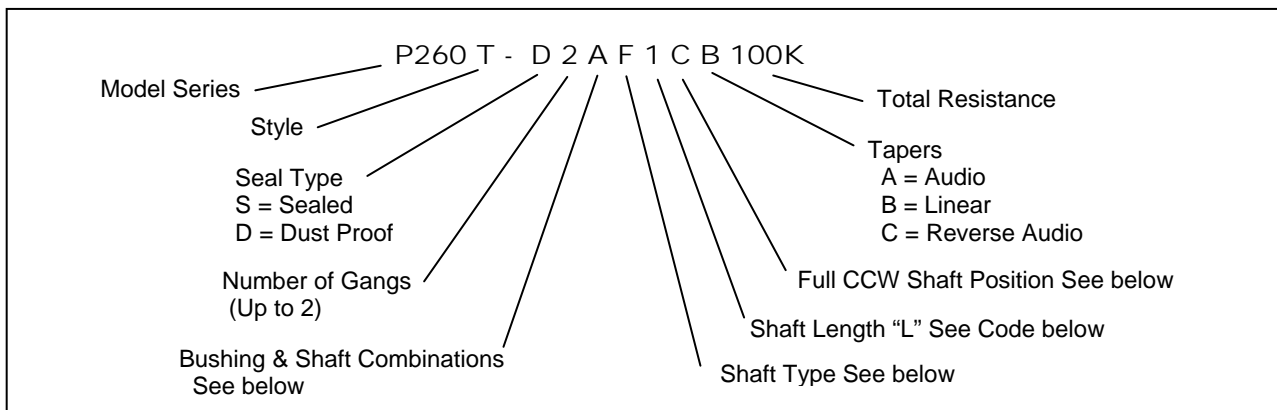
² Contact our customer service for custom designs and features.

Model P260/P261

P260D/P261D - WITH DETENT MODULE



P260T - TOP ADJUST, POTENTIOMETER MODULE



Bushing & Shaft Combinations

CODE	BUSHING SIZE	BUSHING LENGTH "M"	SHAFT ϕ
A	6.35mm (1/4")	6.35mm (1/4")	3.2mm (1/8")
B	9.5mm (3/8")	9.5mm (3/8")	6.35mm (1/4")

Model P260/P261

Shaft Type and Shaft Length "L" Code For 3.2mm (1/8")

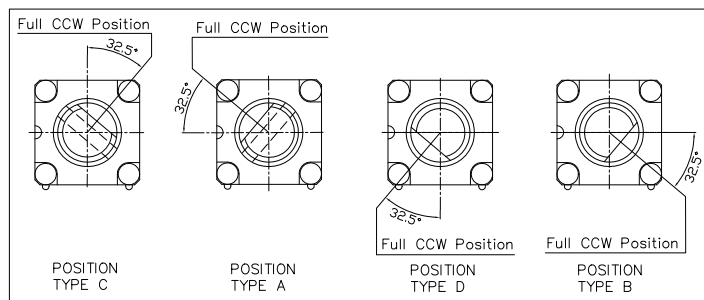
S-TYPE							F-TYPE						
L	12	16	20	24	28	32	L	12	16	20	24	28	32
T							T	4	5	8	8	8	10
CODE	1	2	3	4	5	6	CODE	1	2	3	4	5	6

Shaft Type and Shaft Length "L" Code For 6.35mm (1/4")

S-TYPE							F-TYPE				
L	12	16	20	24	28	32	L	20	24	28	32
T							T	8	8	12	12
CODE	1	2	3	4	5	6	CODE	3	4	5	6

Shaft Position (F-Type Shaft)

Dashed lines on Type "C" and Type "A" shows position of adjustment slot for S-Type



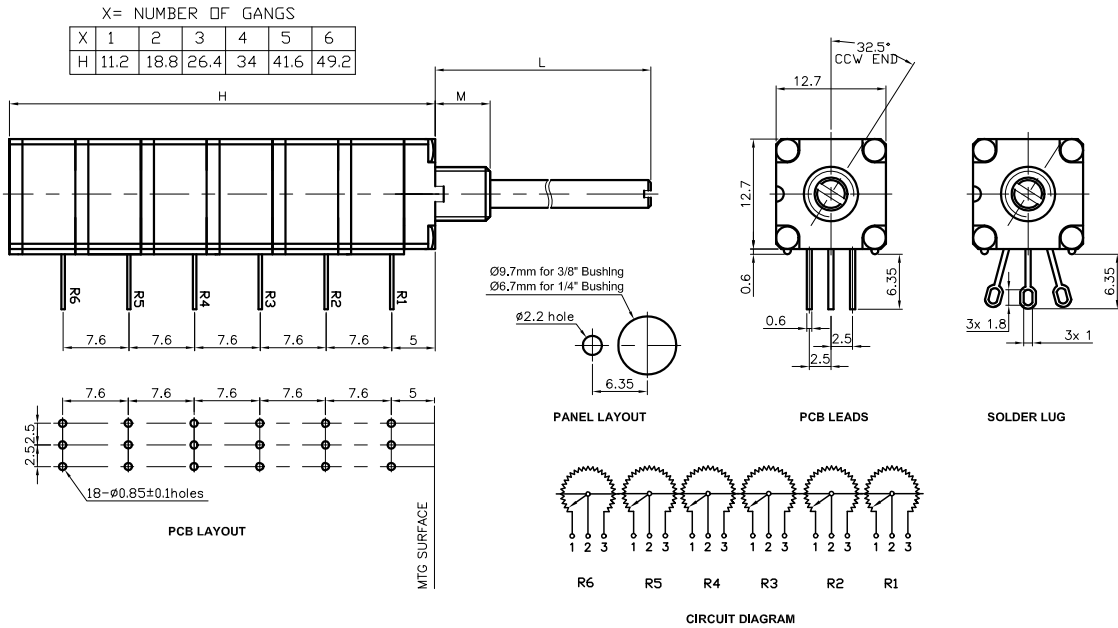
STANDARD RESISTANCE VALUES, OHMS

500	1K	2K	5K	10K	20K	50K	100K	200K	500K	1MEG
-----	----	----	----	-----	-----	-----	------	------	------	------

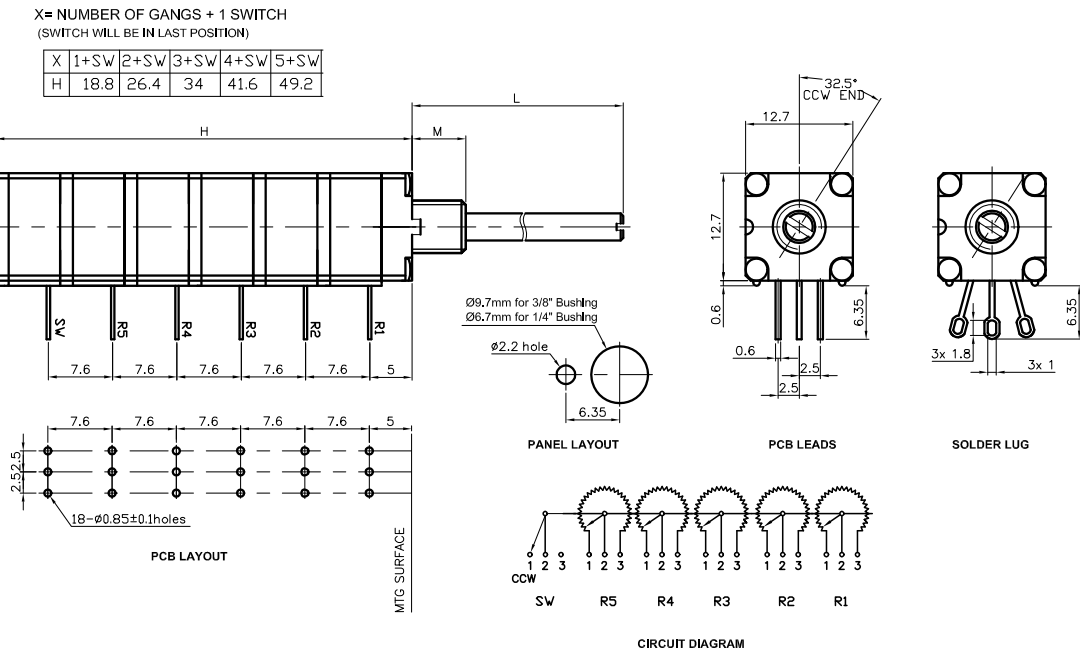
Model P260/P261

OUTLINE DRAWING

P260P/P261P - POTENTIOMETER MODULE

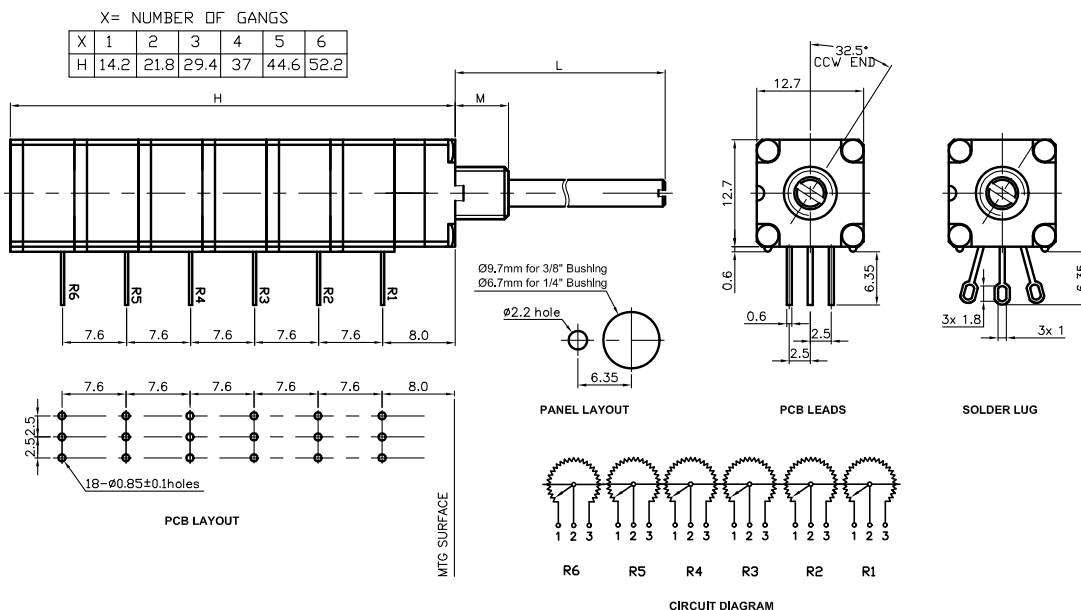


P260S/P261S - WITH ROTARY SWITCH MODULE

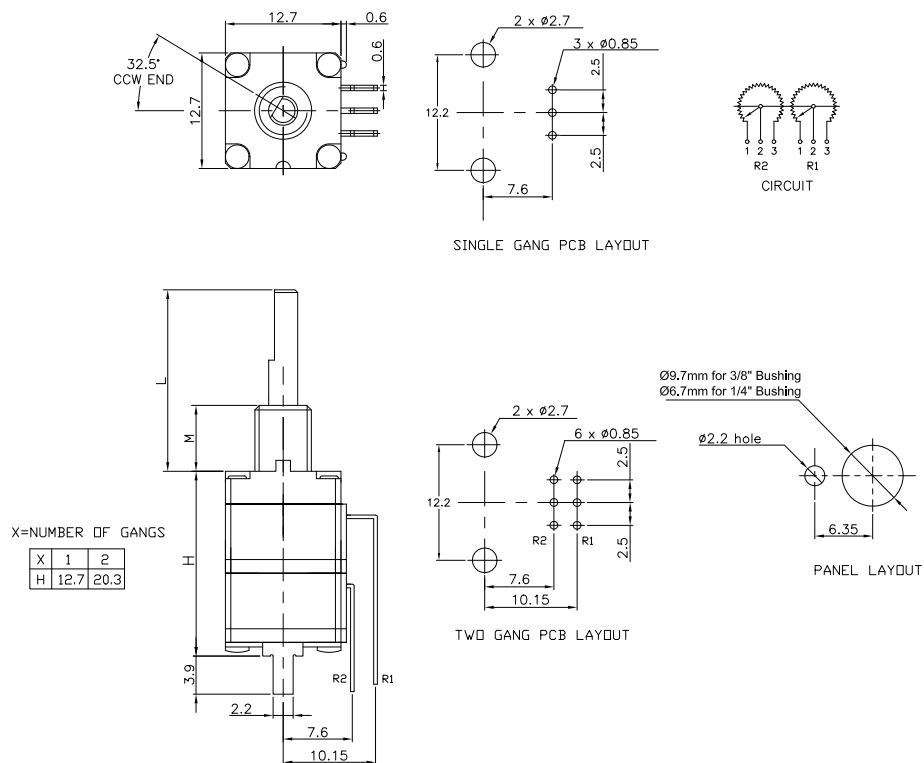


Model P260/P261

P260D/P261D - WITH DETENT MODULE



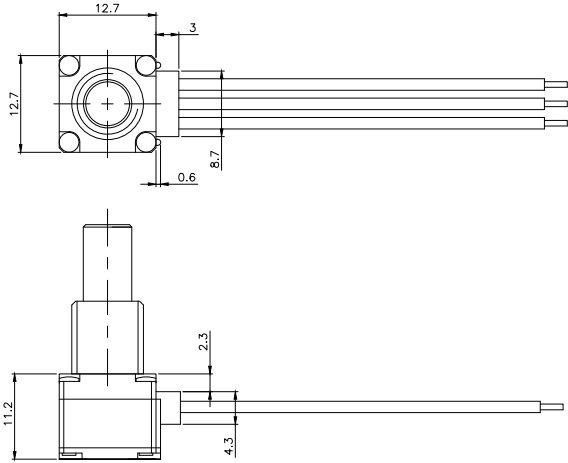
P260T - TOP ADJUST, POTENTIOMETER MODULE



Model P260/P261

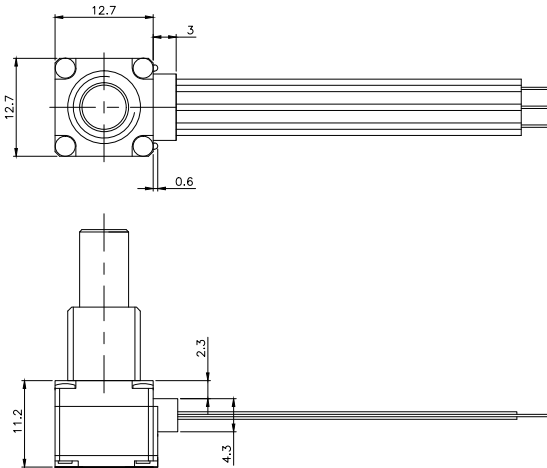
P260L - WITH WIRE LEADS

Consult factory for details and options



P260R - WITH RIBBON TYPE CABLE

Consult factory for details and options



Mouser Electronics

Authorized Distributor

Click to View Pricing, Inventory, Delivery & Lifecycle Information:

TT Electronics:

[P260S-D1AF1CB100K](#) [P260P-D1AF3CB10K](#) [P260P-S2BF3CB10K](#) [P260D-D22AF3CB10K](#) [P260P-S1AF3CB10K](#)
[P260T-S1AF1DB100K](#) [P260P-D2BF5CA5K](#) [P260D-S22AF3CB10K](#) [P260P-D1BS4CA1K](#) [P260S-D2BF3CB10K](#)
[P260S-D1AS3CB5K](#) [P260P-S1AS1CA10K](#) [P260P-D2BS20CA500K](#) [P260P-D2BF3CB10K](#) [P260S-D1AF3CB10K](#)
[P260T-S1BS3CB100K](#) [P260P-S1AS4CB50K](#) [P260T-D1BS4CB1K](#) [P260P-D1AS1AB100K](#) [P260S-S1AF3CB10K](#)
[P260D-D12BF3CB10K](#) [P260P-D1BF3CB10K](#) [P260P-S1BS3CA10K](#) [P260S-D2AF3CB10K](#) [P260D-S12AF3CB10K](#)
[P260P-D1BS4CA10K](#) [P260P-D2BS3AB100K](#) [P260S-D1AS3CB10K](#) [P260D-S13AS1A500K](#) [P260D-S23AF1BB10K](#)
[P260D-S23AF1BB500](#) [P261S-S1BF3CB5K](#) [P260P-D1BS2AC100K](#) [P260P-D1BS3CA100K](#) [P260P-D1BS3CB100K](#)
[P261S-D1BS4CB10K](#) [P261P-S1BS3CA500K](#) [P261P-S1BS4CB10K](#) [P261P-S2AS1CB20K](#) [P261S-D1AF4CB5K](#)
[P261S-D1BS3AB10K](#) [P261P-S1BS3CB200K](#) [P261P-S1BS4CA10K](#) [P261P-S1BS6CA10K](#) [P261S-D1AS3CB2K5](#)
[P261S-D1BF3DB10K](#) [P261S-D2AF3CB10K](#) [P260P-D1AS2CB50K](#) [P260D-D23BS4CA10K](#) [P261P-S1AS1CB50K](#)
[P261P-S1BS1CB200K](#) [P260T-D1BF4DB10K](#) [P260D-S23BF4CB500](#) [P260D-S11BF3CB10K](#) [P261P-D1AS3CB100K](#)
[P260P-D1BS3CB10K](#) [P260P-S2BF4CB500K](#) [P260T-S1BF4DB10K](#) [P261P-D1BS3CB100K](#) [P260P-S1AS3CA10K](#)
[P260P-D1AS4CB1K](#) [P260P-S1AS1CB50K](#) [P260P-S1BS4CB10K](#) [P260P-D1BF3DB50K](#) [P260T-D1BS4CB10K](#)
[P260P-D2BS3CB500K](#) [P261D-S12AF2DB2K](#) [P260P-D2AS2ABR50K](#) [P260P-D1BF2CB50K](#) [P260P-S1BS4CB5K](#)
[P260P-S2BS3CB50K](#) [P260S-D1BS2CB500](#) [P260P-D1BS3CA50K](#) [P260D-S13BF4CA500K](#) [P261P-D2BS3CA100K](#)
[P260P-D2BF3D10K](#) [P260P-D1AS1CB10K](#) [P260P-D1BF3CB50K](#) [P260T-S1BF3CB10K](#) [P261D-S13BS2CB200K](#)
[P260T-S1BS4CB10K](#) [P260P-D1BF20CC10K](#) [P260P-S2BF4CB100K](#) [P260P-D1AS1CB25K](#) [P260S-S2AF1CB100K](#)
[P260T-D1BS3CB100K](#) [P261D-S13BS5AB10K](#) [P260P-D1BS3AA1MEG](#) [P261P-S1AS3CB1K](#) [P260P-S1BS5CB5K](#)
[P260P-D1BS3CB2.5K](#) [P261D-D13AS12CA2K](#) [P260P-D2BF3CA50K](#) [P260P-D2BF3DB50K](#) [P260P-D1BF2CB10K](#)
[P260T-S1AF3CB100K](#) [P260D-S21BSCB50K](#) [P260P-D2AS1CB100K](#) [P260P-D1BS3CB25K](#) [P260T-D1BS3CA100K](#)