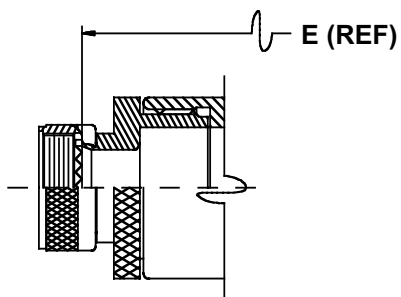
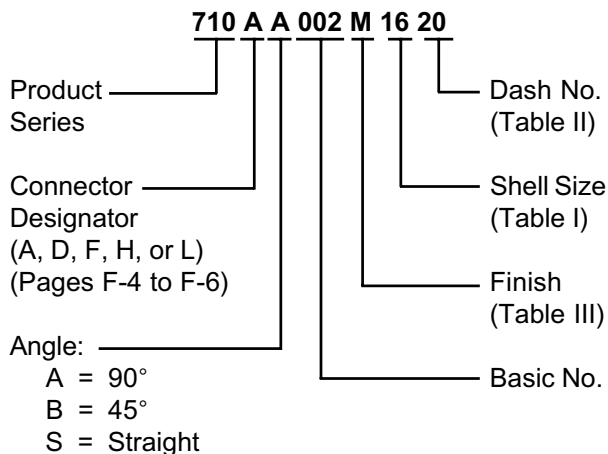


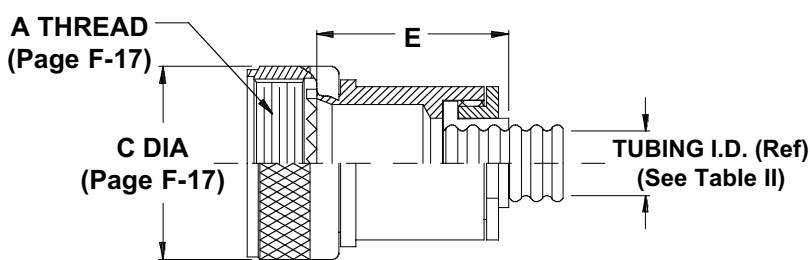


710-002
Non-Environmental Straight, 45° & 90° User-Installable
Connector Fittings for Series 72 Annular Convulsed Tubing

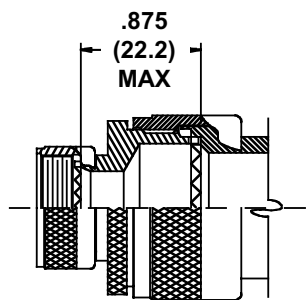
**TYPE
A**



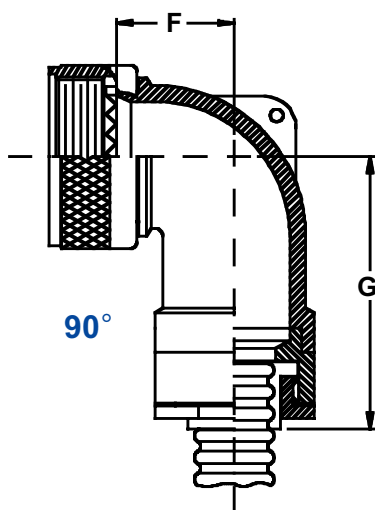
**STYLE 2
(STRAIGHT)**



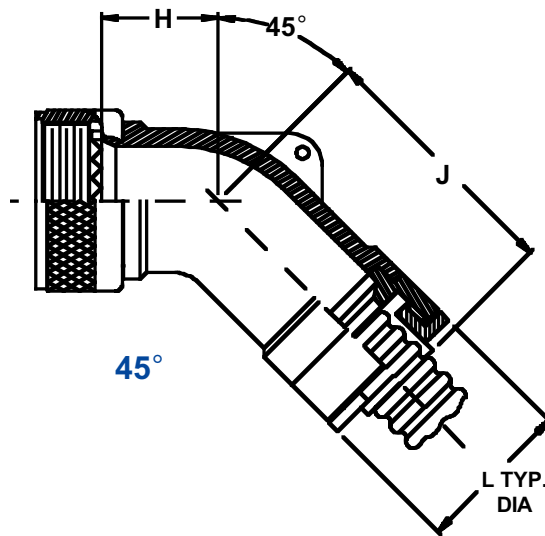
STRAIGHT



**STYLE 2
(90° & 45°)**



90°



45°

Metric dimensions (mm) are indicated in parentheses.
Tubing shown for reference only.

TABLE I

SHELL SIZE		E	F	G	H	J
A,D,F,L	H	MAX	MAX	MAX	MAX	MAX
08	09	1.120 (28.4)	.500 (12.7)	1.605 (40.8)	.520 (13.2)	1.655 (42.0)
10	11	1.141 (29.0)	.595 (15.1)	1.725 (43.8)	.520 (13.2)	1.655 (42.0)
12	13	1.180 (30.0)	.610 (15.5)	1.745 (44.3)	.582 (14.8)	1.715 (43.6)
14	15	1.202 (30.5)	.700 (17.8)	1.815 (46.1)	.645 (16.4)	1.805 (45.8)
16	17	1.230 (31.2)	.885 (22.5)	1.905 (48.4)	.738 (18.7)	1.915 (48.6)
18	19	1.260 (32.0)	.975 (24.8)	2.075 (52.7)	.927 (23.5)	2.105 (53.5)
20	21	1.300 (33.0)	.975 (24.8)	2.075 (52.7)	.927 (23.5)	2.105 (53.5)
22	23	1.335 (33.9)	1.125 (28.6)	2.185 (55.5)	1.020 (25.9)	2.255 (57.3)
24	25	1.360 (34.5)	1.125 (28.6)	2.185 (55.5)	1.020 (25.9)	2.255 (57.3)
28	--	1.435 (36.4)	1.225 (31.1)	2.355 (59.8)	1.145 (29.1)	2.305 (58.5)
32	--	1.505 (38.2)	1.575 (40.0)	2.575 (65.4)	1.207 (30.7)	2.405 (61.1)
36	--	1.570 (39.9)	1.775 (45.1)	2.605 (66.2)	1.238 (31.4)	2.495 (63.4)

TABLE II

DASH NO.	TUBING I.D. (REF)		L DIA
	MIN	MAX	
09	.240 (6.1)	.280 (7.1)	.875 (22.2)
12	.330 (8.4)	.370 (9.4)	1.000 (25.4)
16	.450 (11.4)	.500 (12.7)	1.125 (28.6)
20	.570 (14.5)	.620 (15.7)	1.250 (31.8)
24	.690 (17.5)	.750 (19.1)	1.438 (36.5)
28	.810 (20.6)	.870 (22.1)	1.625 (41.3)
32	.930 (23.6)	1.000 (25.4)	1.750 (44.5)
40	1.180 (30.0)	1.250 (31.8)	2.000 (50.8)

TABLE III

SYMBOL	FINISH
B	Olive Drab over Cadmium Plate
J	Gold Iridite over Cadmium Plate over Nickel
M	Electroless Nickel
N	Olive Drab over Cadmium Plate over Nickel
NC	Zinc-Cobalt, Olive Drab
NF	Olive Drab over Cadmium Plate over Electroless Nickel (500 Hour Salt Spray)
T	Bright Dip Cadmium Plate over Nickel

When tubing I.D. MAX exceeds inside diameter of connector shell, style 2 will be supplied. Refer to pages F-15 and F-16.