

## TSRW-JBD

Dual gang junction box - White

Article Number: 250-10013

Part Number: TSRW-JBD

Type: TSR-JBD

Material: PVC



### 1. Base Data

---

**Part No.** TSRW-JBD

**Type** TSR-JBD

**Color** White

**Features** HellermannTyton's low voltage TSR surface raceway system is a one piece latching duct designed to contain, route and protect wire and cable when it is not feasible to run it within the wall. It is manufactured from a 94 V-0 PVC and features a superior adh

## 2. Product Dimensions

---

Length (L) 4.83 "

Width (W) 4.91 "

Height (H) 1.5 "

## 4. Material and Specifications

---

Material Polyvinylchloride (PVC)

Material Shortcut PVC

## Logistic and Packaging

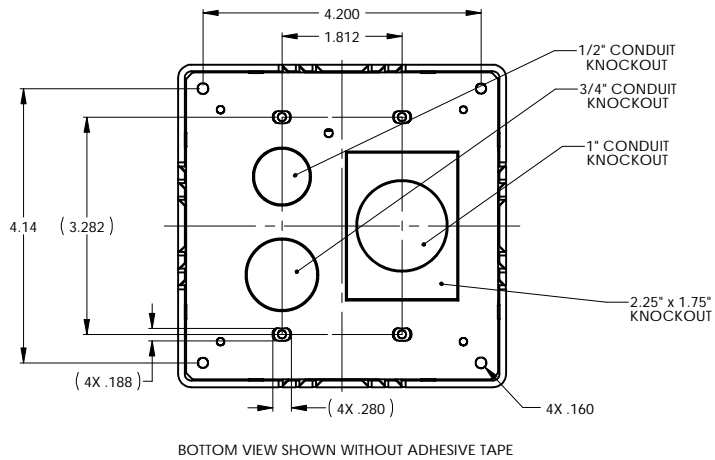
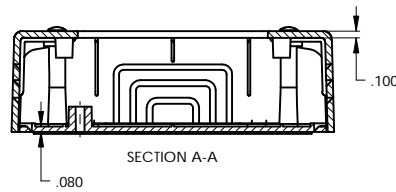
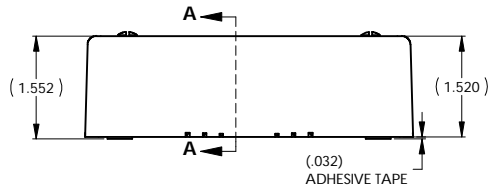
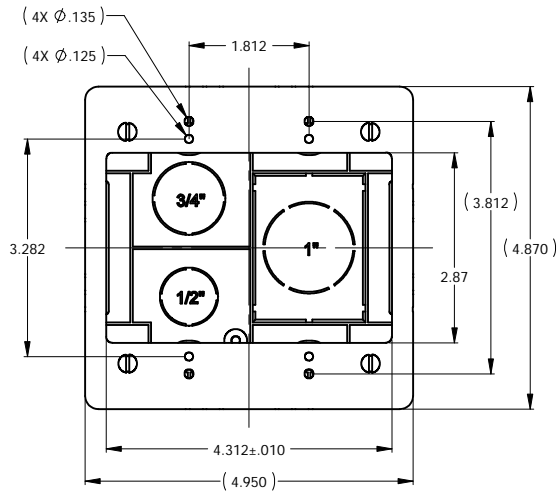
---

Packaging Type bag

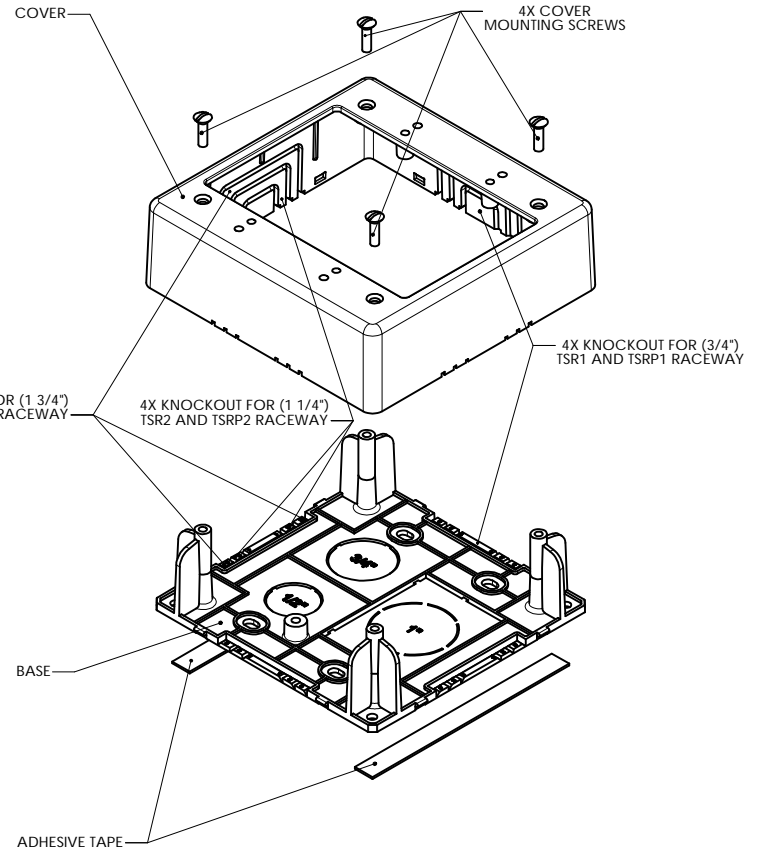
Pkg. Qty. 1

Minimum Order Quantity 1

UPC 08930621237



BOTTOM VIEW SHOWN WITHOUT ADHESIVE TAPE



**PART NO. DESCRIPTION**

TSRP -JBD

TSRP -JBD	POWER-RATED SYSTEM
TSR -JBD	LOW VOLTAGE SYSTEM
<b>PART NO.</b>	<b>DESCRIPTION</b>

COLOR:  
I = IVORY  
FW = OFFICE WHITE  
W = WHITE  
(FOR OTHER COLORS  
CONTACT FACTORY)

REDUCED  
NO SCALE

**HellermannTyton.**

A SPIRENT Company

ALL PROPRIETARY RIGHTS IN THE SUBJECT MATTER SHOWN ON THIS DRAWING ARE EXCLUSIVE PROPERTY OF HELLERMANNITYTON

name	date	city, state

**NOTES**

**FEATURES**

- ADHESIVE BACKED BASE FOR EASY PLACEMENT OF BOX DURING ASSEMBLY
- SCREWS PROVIDED FOR MOUNTING OF COVER TO BASE
- KNOCKOUT ENTRIES FOR ALL 3 SIZES OF TSR AND TSRP RACEWAY
- LOW PROFILE
- PAINTABLE WITH LATEX BASED PAINT
- FACE PLATE MOUNTS TO COVER DIRECTLY FOR EASY ACCESS
- TWO DIFFERENT SETS OF MOUNTING HOLES FOR SURFACE MOUNT OR FOR MOUNTING DIRECTLY TO A FLUSH WALL JUNCTION BOX VIA LARGE RECTANGULAR KNOCKOUT IN BASE
- BASE IS RIBBED FOR STABILITY

**REVISION**

D level	01
A by	PLN
W date	07/17/02
G ECN #	003274
part level	-

**DIMENSIONS**

.XXXX = ±.0005
.XXX = ±.005
.XX = ±.01
.X = ±.03
∠ = ±0.5°
unless otherwise specified
units inches

**PART**

number	SEE CHART	phase	PRODUCTION
name	TSR-JBD & TSRP-JBD DUAL GANG JUNCTION BOX SURFACE RACEWAY CONNECTOR		
material	PVC		

**DRAWING**

format version N	C	CAO	SW	scale	3:4
compute file number	DT3026305CST_01	previous number			
drawn	K.A.C.	checked			
date	04/30/02				
type	CUSTOMER		sheet	1 of 1	
number	DT3026305CST				

**TSR — Low Voltage Surface Raceway Accessories**

HellermannTyton provides a complete line of fittings to manage connectivity requirements from the telecommunications room to the work area. Each size of raceway offers numerous fittings, offered in electrical ivory, white or office white, including TIA/EIA-568-B compliant 1" bend radius accessories which help ensure consistent data transmission performance of Category 5, 5e and 6 communications systems.

**Product Selection**



Designated with -50



Designated with -36



Designated with -25-1



Designated with -29-1



Designated with -14



Designated with -12



Designated with -33-1



Designated with -21-1

Part Number	Description	Pkg. Qty.
<b>TSR1 Fittings</b>		
TSR1X-14	Splice Cover – 3/4"	10
TSR1X-21-1	Tee Cover - 3/4" – 1" Bend Radius	10
TSR1X-25-1	Elbow Cover – 3/4" – 1" Bend Radius	10
TSR1X-29-1	External Corner – 3/4" – 1" Bend Radius	10
TSR1X-33-1	Internal Corner – 3/4" – 1" Bend Radius	10
TSR1X-36	End Cap – 3/4"	10
TSR1X-50	Ceiling Drop – 3/4"	10
<b>TSR2 Fittings</b>		
TSR2X-14	Splice Cover – 1-1/4"	10
TSR2X-21-1	Tee Cover – 1-1/4" – 1" Bend Radius	10
TSR2X-25-1	Elbow Cover – 1-1/4" – 1" Bend Radius	10
TSR2X-29-1	External Corner – 1-1/4" – 1" Bend Radius	10
TSR2X-33-1	Internal Corner – 1-1/4" – 1" Bend Radius	10
TSR2X-36	End Cap – 1-1/4"	10
TSR2X-50	Ceiling Drop – 1-1/4"	10
<b>TSR3 Fittings</b>		
TSR3X-14	Splice Cover – 1-3/4"	10
TSR3X-21-1	Tee Cover – 1-3/4" – 1" Bend Radius	10
TSR3X-25-1	Elbow Cover – 1-3/4" – 1" Bend Radius	10
TSR3X-29-1	External Corner – 1-3/4" – 1" Bend Radius	10
TSR3X-33-1	Internal Corner – 1-3/4" – 1" Bend Radius	10
TSR3X-36	End Cap – 1-3/4"	10
TSR3X-50	Ceiling Drop – 1-3/4"	10
<b>Reducers</b>		
TSR1X-12	Reducer – 1-3/4" to 1-1/4" (TSR3 to TSR2)	10
TSR2X-12	Reducer – 1-3/4" to 3/4" (TSR3 to TSR1)	10
TSR3X-12	Reducer – 1-1/4" to 3/4" (TSR2 to TSR1)	10
<b>Junction Boxes</b>		
TSRX-JB1	Junction Box Single Gang – 3"(W) x 4-3/4"(L) x 1-1/4"(H)	1
TSRX-JB2*	Junction Box Single Gang – 3"(W) x 4-3/4"(L) x 2"(H)	1
TSRX-JBD	Junction Box Dual Gang – 4.91"(W) x 4.83"(L) x 1-1/2"(H)	1

Replace "X" in the part number with the following letters for desired color:  
 X = I (ivory), FW (office white), W (white)



**Junction Boxes**  
 \*Recommend using the TSRX-JB2 for voice and data applications

**Junction Boxes**

Offered in a dual or single gang format, HellermannTyton's low voltage junction boxes are versatile enough for any network cabling application. Available in varying depths, these boxes are all equipped with concentric knockouts on all four sides for every TSR size of raceway which eliminates routing and installation inconvenience. All three styles of junction boxes come with adhesive strips on the back of the base and also #6 screws to secure the box to the base. See page 62 for knockout sizes and locations.