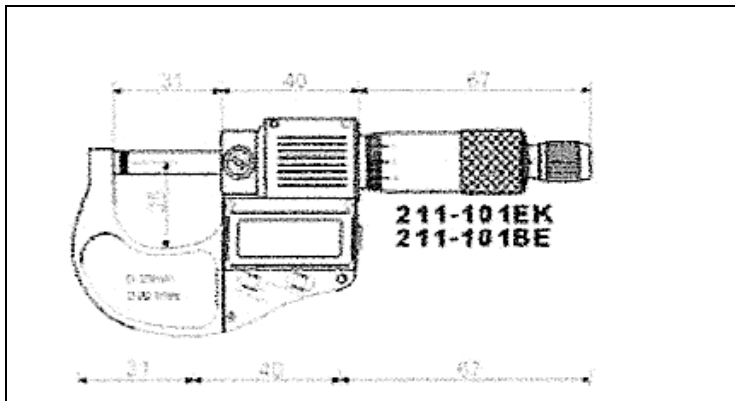


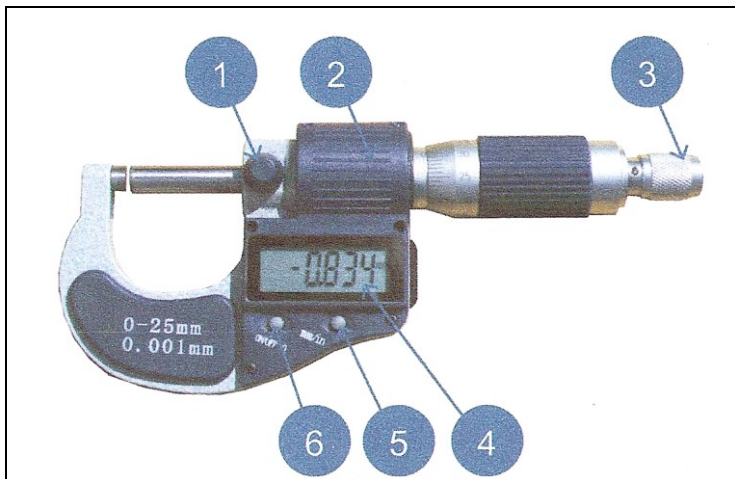


Range: 0 - 25/ 0 - 1"
 Resolution Digital Display: 0.001mm/0.00005"
 Resolution Mechanical Thimble: 0.01mm
 Clear LCD Display
 Digit Size 8mm
 Metric/Inch Conversion
 Zero Reset at any position
 Tungsten Carbide Anvils
 Spindle Lock
 Plastic Heat Guard
 Painted Frame
 Supplied in fitted case



Code	Range mm/Inch	A mm	C mm	Accuracy mm
50-730-001	0-25			0.004

Repeatability: 0.001mm
 Measuring force: 5 – 10N
 Operating temperature; 0 to 40° C
 Relative humidity: Maximum 80%
 Power: 1 x SR44: 1.5V battery



- 1 Spindle Lock
- 2 Thimble
- 3 Ratchet Stop
- 4 LCD Display
- 5 Metric / Inch Select Button
- 6 On /Off / Zero Button

Electronic Micrometer 50-730-001

Page 2 of 3

Setting and Use Instructions

Clean micrometer spindle and measuring anvils with soft cloth or paper to remove any oil or particles which may affect the measurements

Ensure that the micrometer is thermally stabilised with the temperature where it is to be used

Ensure that the spindle lock is off

Power up micrometer by pressing the On/Off / Zero button (5)

Select metric or inch system by pressing Metric/Inch button (6)

Use the ratchet stop to move the spindle until it touches the fixed anvil. Allow the ratchet to turn 1 ½ to 2 revolutions for the final positioning

Set zero in this position (button 5)

Zero can be set by using button 6 at any position in the micrometers range. This is useful when checking the tolerance of a component

Operating Care

Do not use any organic solvent for cleaning such as acetone etc.

Keep instrument away from strong magnetic fields and high voltage environments which can affect the correct working of the electronic pack

Prevent the ingress of oil and liquids into the electronics

Do not use or store the micrometer in direct sunlight, or in an excessively hot or cold environment

To conserve the battery turn the instrument off after use

Remove battery if the instrument is not to be used for a long period of time

Do not disassemble or drop the instrument

Do not mark the instrument by engraving, etching or any other permanent method of marking as this will invalidate the warranty

Specifications:

Operating Temperature:	0 – 40 deg.C
Storage Temperature:	-20 to 70 deg. C
Relative Humidity:	≤ 80%
Power:	1 x SR44: 1.5V battery

Fault Finding

Failure	Causes	Remedy
Digits flash	Battery voltage low	Replace battery
No display	Bad battery contacts	Clean battery contacts
No display	Battery voltage low	Replace battery
Display is confused or dead	Strong disturbance to micrometer	Remove and reset battery after 4 minutes

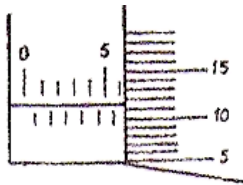
Electronic Micrometer 50-730-001

Page 3 of 3

Mechanical Thimble and Sleeve

Reading Example: Metric

When reading the micrometer ensure that your line of sight is directly above the graduated scale on the sleeve and the thimble scale to avoid parallax reading errors



Example for division 0.01mm

Reading:

From Sleeve: 6mm

From thimble: 0.11mm

Final readings should be

$$6. + 0.11 = 6.11\text{mm}$$

Cleaning and Basic Checking Procedure

Remove any oil, grease, dust or small particles which may cause damage to the micrometer or affect its accuracy when taking measurements. Use a soft lint free cloth or paper together with a proprietary instrument cleaning agent. Do not use acetone as this can damage parts of the micrometer

Before use check that the ratchet mechanism functions correctly

Check the spindle movement by using the ratchet stop to traverse the spindle through its complete travel

Check that the measuring faces are in good condition

Check the locking mechanism works correctly

Zero Point Checking and Adjustment

Use the ratchet stop to move the spindle until it touches the fixed anvil. Allow the ratchet to turn 1 ½ to 2 revolutions for the final positioning

The zero point on the thimble should now coincide with the reference graduated base line on the sleeve

For micrometers above 25mm / 1" use the supplied setting standard or a gauge block to check the zero position

If the zero point does not line up as required, it can be corrected by using the following procedure

When the zero point deviation on the thimble is under 2 divisions from the graduated base line

Turn the sleeve using the "C" spanner provided until correct alignment is achieved

When the zero point deviation on the thimble is over 2 divisions from the graduated base line

Hold the frame and the thimble and loosen the ratchet stop using the spanner provided

Disconnect the coupling of the thimble to the spindle by giving a light shock to the side of the thimble

Turn the thimble until the zero point is in alignment with the base line on the sleeve

Press the thimble against the spindle and re-tighten with the spanner to achieve a positive coupling

Re-check the zero position, any final small adjustment can now be made using the "C" spanner to re-position the sleeve to the thimble zero