

AR-070 SERIES EXPLOSION-SAFE

CE II 3 GD; Ex nA II T4; Ex tD A22 IP65 T85°C 94/9/EC (ATEX) and 2004/108/EC (EMC) EN60079-0, EN60079-15, EN61241-0, EN61241-1

Explosion-safe Signal Light Ø40mm



Description

Explosion-safe Signal Light featuring an LED light that is versatile and energy-efficient. The vertical and horizontal cut lenses in combination with a double-reflection system enhances the LED light diffusion to create a unique, full and brilliant light. The lenses and main body are made of strong synthetic materials with characteristics to withstand harsh environments. The Signal Light can be ordered in any combination from 1 to 5 LED units with any color combination. In addition to its "continuous lighting" condition, the Signal Light can also be ordered with flashing / non-flashing functions, as well as with two super-loud alarm sounds with an 85dB (at 1m) output.

Features

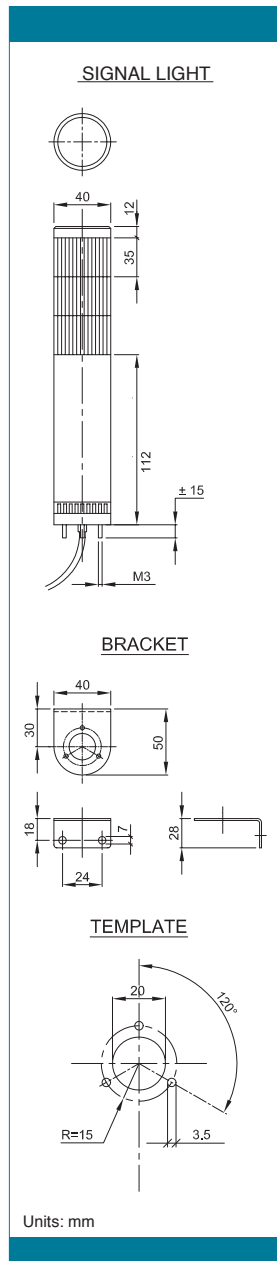
- Explosion-safe for gas and dust
- Suitable for Zone 2 and Zone 22
- CE compliance in accordance to ATEX
- Full and brilliant lumination
- LED double reflection lighting system
- Different lens colors available
- From 1 to 5 tiers
- Available with "flashing/non flashing" and two audible buzzer alarm sounds
- Ingress protection of IP65
- Wall mount or direct mount



AR-070 series



Dimensions



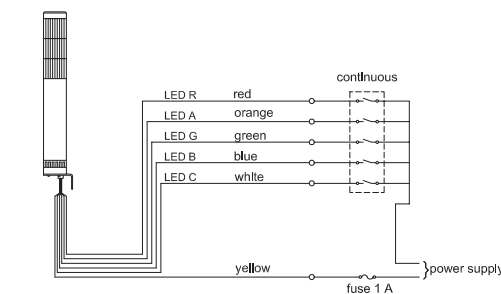
Specifications

Explosion-safety:	CE II 3 GD; Ex nA II T4; Ex tD A22 IP65 T85°C
CE conformities:	EN 60079-0, EN 60079-15, EN 61241-0, EN 61241-1
Certification:	EC-Declaration of conformity
Ambient Temperature:	-30 °C to +60 °C
Ingress Protection:	IP65 to EN 60529
Material:	ABS towerbody, polyester glassfibre reinforced base
Lighting Source:	Multiple LEDs with double reflection system
Acoustical Source:	Buzzer 85 dB (1m) with two different tones
Rated Voltage:	24 V AC/DC
Assembly position:	As desired
Activation Time:	100%
Module Colors Available:	Red, Amber, Green, Blue, Clear/white
Cable:	Factory sealed cable, Ø 8 mm, length 3 meter

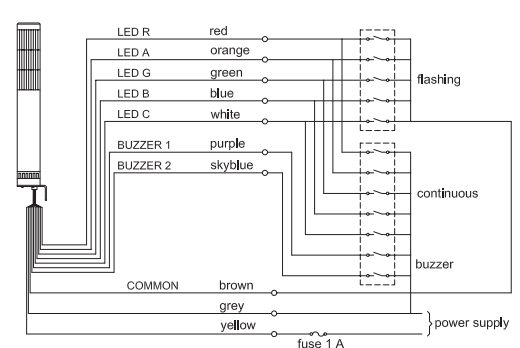
CURRENT RATINGS			
LED		BUZZER	
Signal	Line Current	Signal Line Current	Inrush Current
Red, Amber	approx. 30 mA	Green, Blue, Clear	approx. 40 mA
			approx. 250 mA

CONNECTION DIAGRAMS

continuous light AC/DC 24V



continuous and flashing light with alarm AC/DC 24V



EXPLOSION-SAFE SIGNAL LIGHT							
How to order	Code	Voltage	Code	No. of Stacks	Code	Colors*	Code
Continuous lighting (only)	1	24V AC/DC	1	1-5	1	Red	R
					2	Amber	Y
Continuous/Flashing lighting and two Audible alarms	2				3	Green	G
					4	Blue	B
					5	Clear/White	C

→ Type number AR-070 0 1 / - RYGB C *Colors are arranged from top to bottom