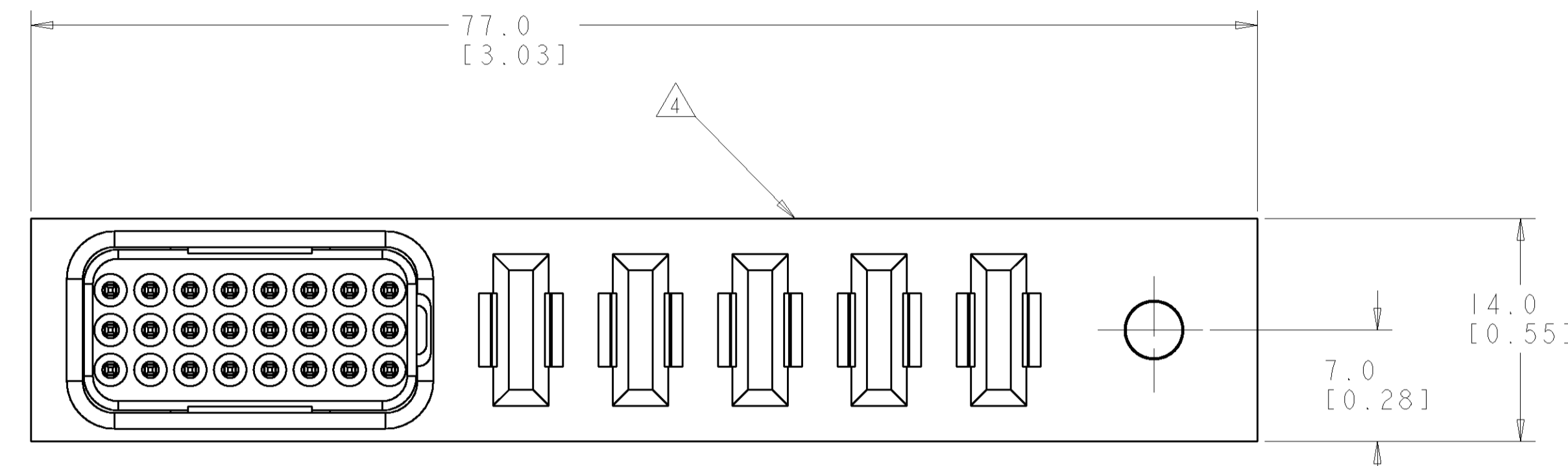


LOC		DIST		REVISIONS			
GP	00	P	LTR	DESCRIPTION	DATE	DWN	APVD
		A		NEW RELEASE	19APR2007	RG	PD



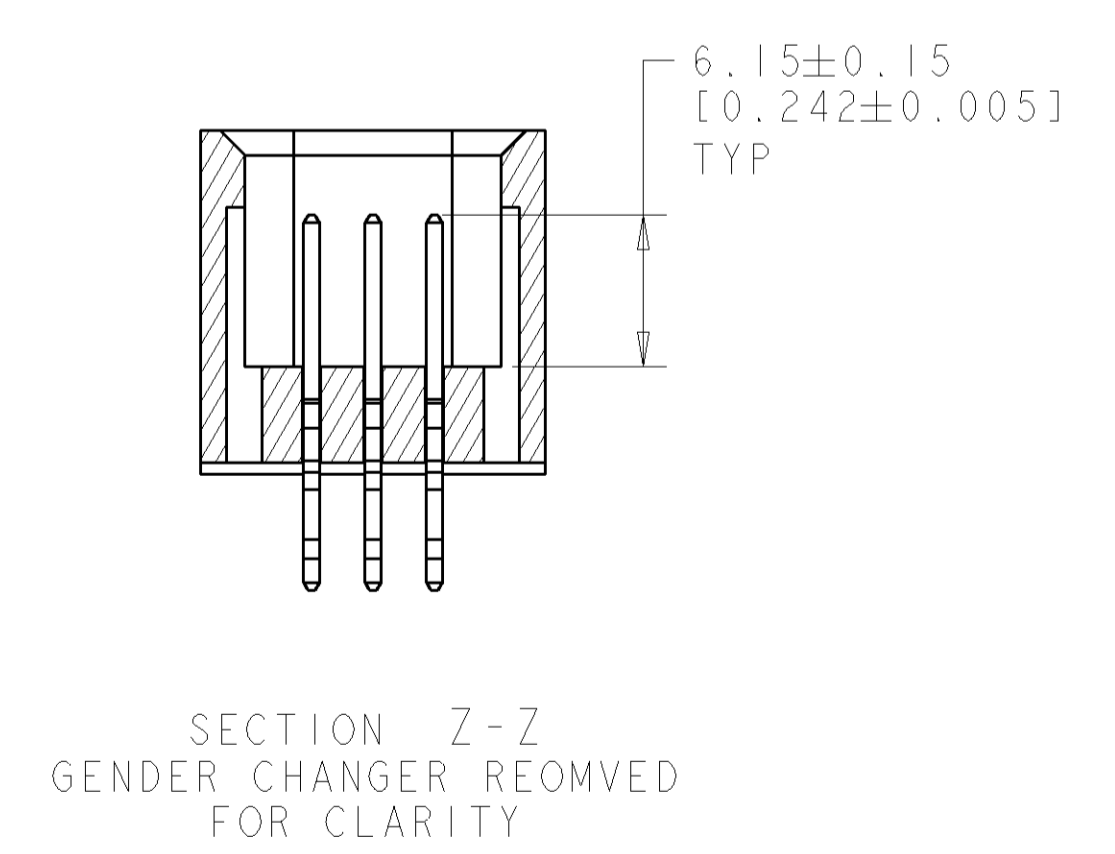
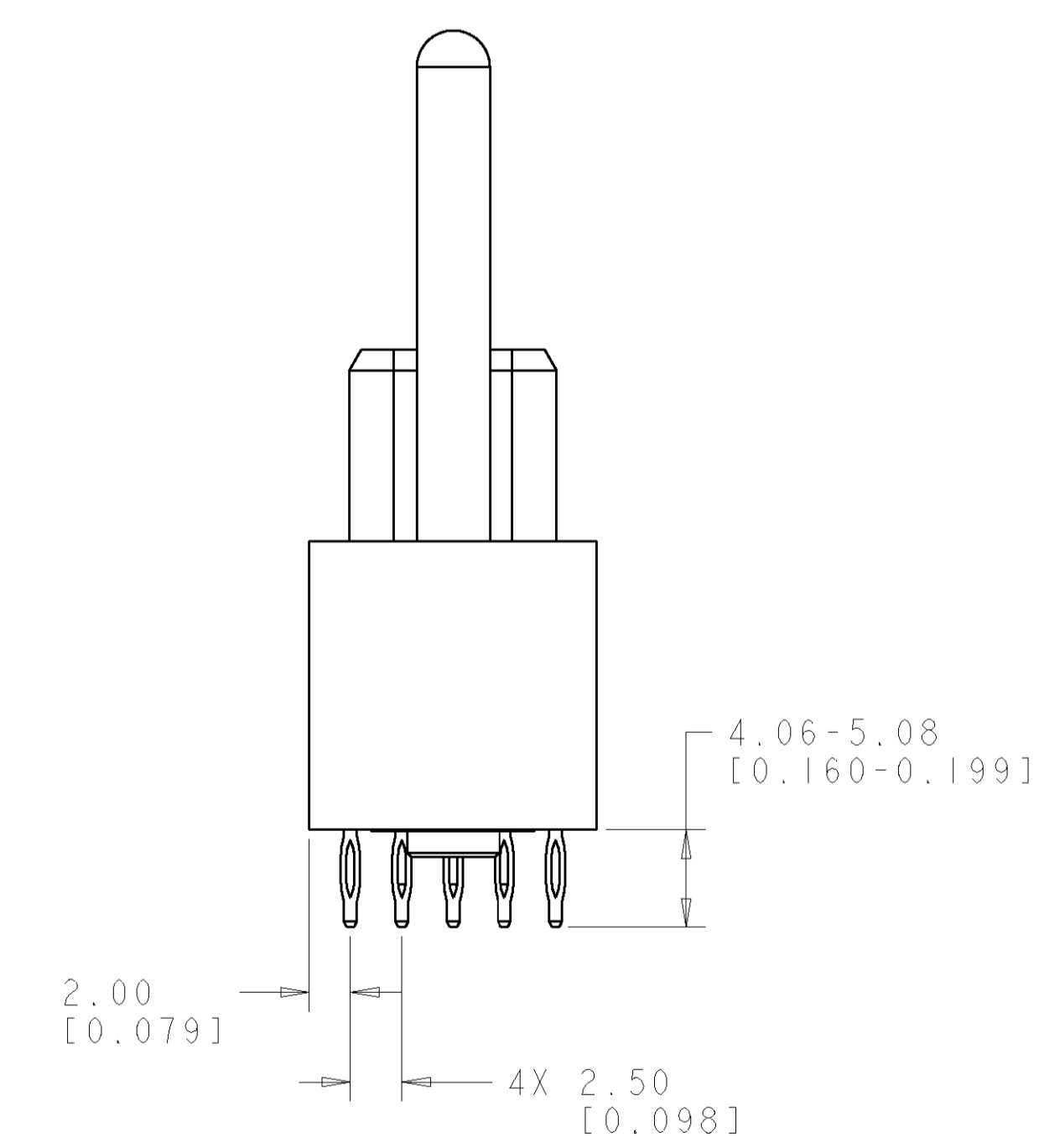
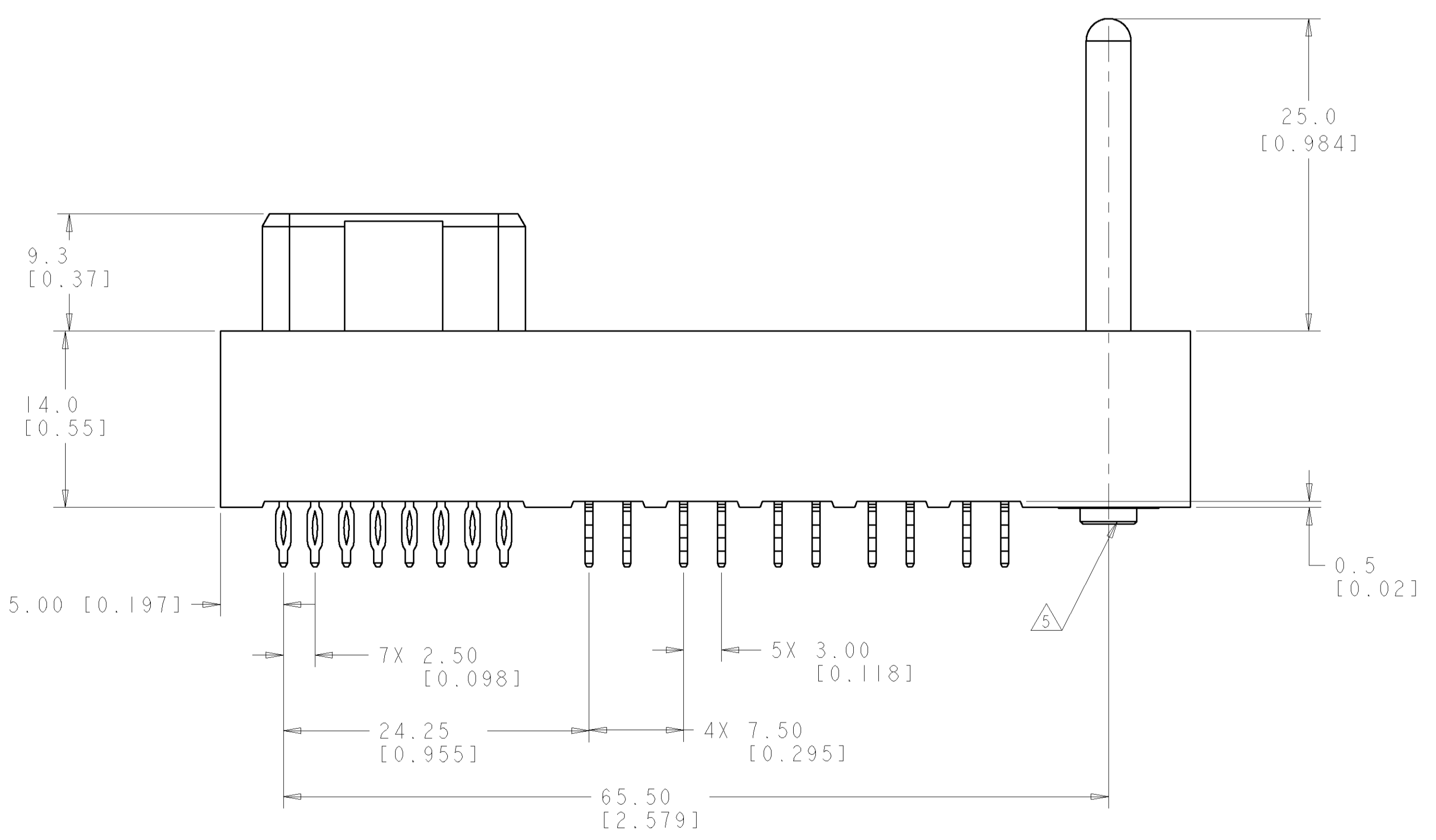
- PART NUMBER CHANGES AND OR DESIGN CHANGES AFFECTING ITEM INTERCHANGEABILITY REQUIRE PRIOR TYCO APPROVAL AND AUTHORIZATION BY REVISION TO THIS DRAWING.
- MATERIAL:
 - INSULATORS - THERMOPLASTIC, GLASS REINFORCED, COLOR: BLACK UL94V-0 FLAMMABILITY RATED.
 - POWER CONTACTS - PHOSPHOR BRONZE ALLOY, COPPER ALLOY
 - CROWN BANDS - BERYLLIUM COPPER ALLOY
 - SIGNAL CONTACTS - PHOSPHOR BRONZE ALLOY
 - GUIDE PIN: TELLURIUM COPPER ALLOY
- FINISH:
 - CONTACTS - GOLD PLATE 0.76µM MIN. THK., OVER NICKEL 1.27µM MIN. THK.
 - COMPLAINT TAILS TIN, 1.02µM MIN. THK. OVER NICKEL 1.27µM MIN THK.
 - GUIDE PIN - SILVER PLATE 5.08µM MIN THK. OVER NICKEL 1.02µM MIN THK.

△ ITEMS PROVIDED TO THIS SPECIFICATION TO BE PERMANENTLY IDENTIFIED PER THE FOLLOWING IDENTIFIER LABEL

YEAR WEEK

TYCO PART NO. DATE CODE (e.g. 0106)
XXXXXXXX-X XXXX

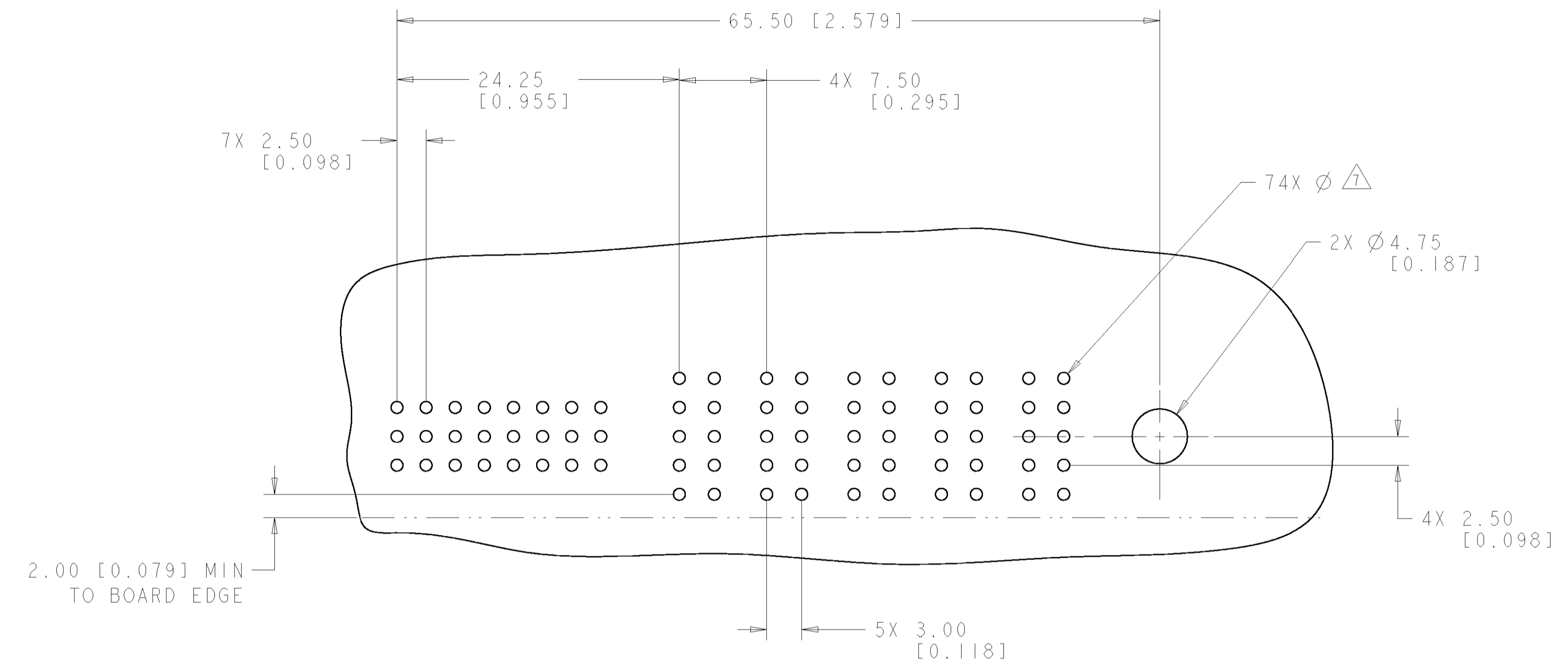
△ ACTIVATED GUIDE PIN ACCEPTS #4-40 SCREWS (USER SUPPLIED).



ELCON **FLATPAQ**

AS SHOWN		6646571-1	
DESCRIPTION		PART NUMBER	
DIMENSIONS: mm TOLERANCES UNLESS OTHERWISE SPECIFIED: 0 PLC ± 1 PLC ±.3 (.012) 2 PLC ±.15 (.006) 3 PLC ± 4 PLC ± ANGLES ±.5 FINISH		DWN: R. GRZYBOWSKI 19APR2007 CHK: P. DAMATO 19APR2007 APVD: S. FLICKINGER 19APR2007 PRODUCT SPEC: - APPLICATION SPEC: - WEIGHT: - CUSTOMER DRAWING	
Tyco Electronics Harrisburg, PA 17105-3608		NAME: SOCKET CONNECTOR STRAIGHT, COMPLIANT TAIL FLATPAQ SIZE: A 00779 C=6646571 SCALE: 3:1 SHEET 1 OF 3 REV A	

LOC	DIST	REVISIONS			
P	LTR	DESCRIPTION	DATE	DWN	APVD
-	-	SEE SHEET 1	-	-	-



PRINTED CIRCUIT LAYOUT

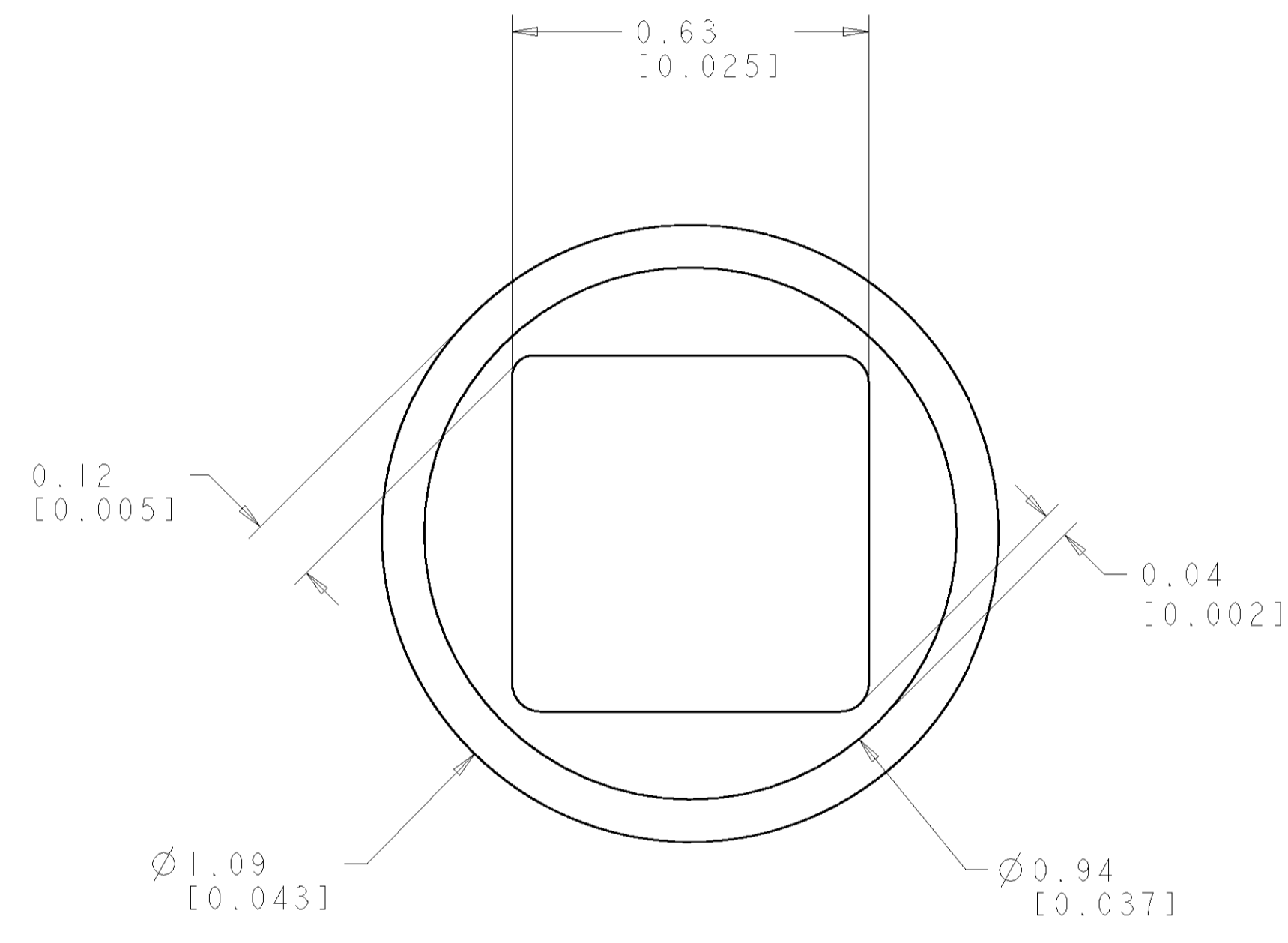
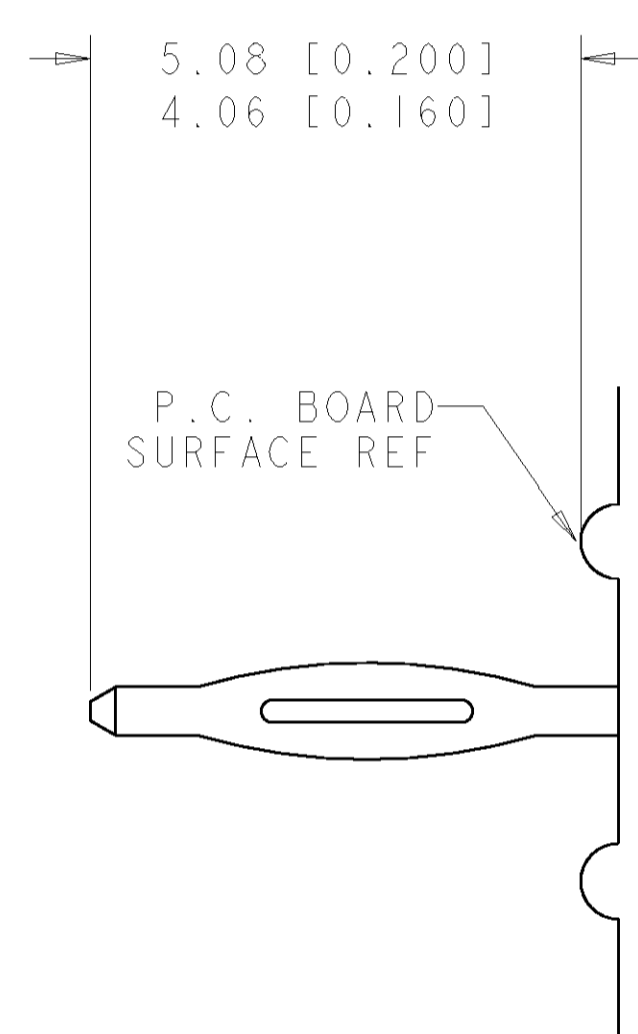
CONNECTOR	CATALOG MODULE #	QTY	SIZE NO.	CONTACT QTY	MATING PIN	MAX. CURRENT (PER CONTACT)	CONTACT SPACING	VOLTAGE RATING
SOCKET	DEDICATED HOUSING	1	8	5	1.25 X 7.00 [.049 X .276]	35 amps	7.50 [.2953]	250
			22	24	.64 [.025] SQ.	3 amps	2.50 [.0984]	125 VOLTS

DIMENSIONS: mm
 TOLERANCES UNLESS OTHERWISE SPECIFIED:
 0 PLC ±
 1 PLC ±.3 [.012]
 2 PLC ±.15 [.006]
 3 PLC ±
 4 PLC ±
 ANGLES ±.5
 FINISH -
 MATERIAL -
 WEIGHT -
 CUSTOMER DRAWING

DWN: B. GRZYBOWSKI 19APR2007
 ENR: P. DAMATO 19APR2007
 APVD: S. FLICKINGER 19APR2007
 NAME: SOCKET CONNECTOR STRAIGHT, COMPLIANT TAIL FLATPAQ
 SIZE: A | 00779 | C=6646571
 SCALE: 3:1 SHEET 2 OF 3 REV A

Tyco Electronics
 Harrisburg, PA 17105-3608

LOC	DIST	REVISIONS					
GP	00	P.	LTR	DESCRIPTION	DATE	DWN	APVD
		-		SEE SHEET 1	-	-	-



6. COMPLIANT PIN DETAIL
 SCALE 10 : 1
 INSERTION/EXTRACTION FORCES
 MAXIMUM PUSH IN: 133.3N [30 LBS] PER PIN
 MINIMUM PUSH OUT: 44.4N [10 LBS] PER PIN

△ SOLDER TERMINATION AREA
 SCALE 40:1
 RECOMMENDED PRINTED CIRCUIT SOLDER HOLE
 COMPLIANT PRESS FIT
 DRILLED HOLE: Ø1.15 [0.0453] ±.013 [0.0005]
 COPPER PLATE: .025 [0.0010] MIN (PER SIDE)
 TIN PLATE: .0005 [0.000020] MIN. (PER SURFACE)

<small>THIS DRAWING IS UNPUBLISHED. RELEASED FOR PUBLICATION. ALL RIGHTS RESERVED. THIS DRAWING IS THE PROPERTY OF TYCO ELECTRONICS CORPORATION. IT IS TO BE USED ONLY FOR THE PURPOSES AND ORGANIZATION SPECIFIED HEREIN. NO PARTS OF THIS DRAWING ARE TO BE REPRODUCED OR TRANSMITTED IN ANY FORM OR BY ANY MEANS, ELECTRONIC OR MECHANICAL, WITHOUT PERMISSION IN WRITING FROM TYCO ELECTRONICS CORPORATION.</small>		DWN R. GRZYBOWSKI 19APR2007 CHK P. DAMATO 19APR2007 APVD S. FLICKINGER 19APR2007	Tyco Electronics Harrisburg, PA 17105-3608
DIMENSIONS: mm 	TOLERANCES UNLESS OTHERWISE SPECIFIED: 0 PLC ±.3 [0.12] 1 PLC ±.3 [0.12] 2 PLC ±.15 [0.006] 3 PLC ±.15 [0.006] 4 PLC ±.15 [0.006] ANGLES ±.5 FINISH -	NAME SOCKET CONNECTOR STRAIGHT, COMPLIANT TAIL FLATPAQ	SIZE CAGE CODE DRAWING NO A 100779 C-6646571
MATERIAL -	WEIGHT -	CUSTOMER DRAWING	RESTRICTED TO SCALE 3:1 SHEET 3 OF 3 REV A

Mouser Electronics

Authorized Distributor

Click to View Pricing, Inventory, Delivery & Lifecycle Information:

[TE Connectivity:](#)

[6646571-1](#)