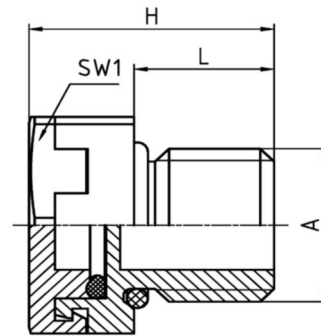
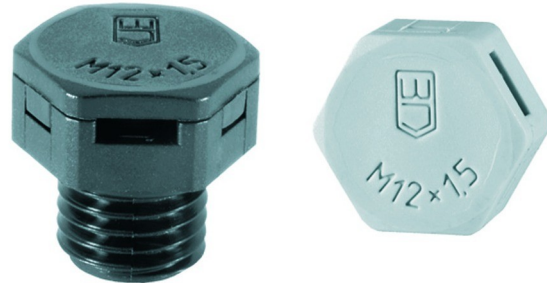


## Configuration

Body	Polyamide PA6 V-0
Membrane	Polyether sulphone PES
O-ring	Nitrile rubber
Connecting thread	metric, as per EN 60423

## Properties

	<ul style="list-style-type: none"> <li>protection for hermetically sealed electro-technical and electronic enclosures against condensation water from alternating temperature and pressure</li> <li>pressure, continuous ventilation and adaption of the inner pressure</li> <li>hydrophobic and oleophobic PES-membrane</li> </ul>
Typical air flow	90 - 130 ml/min/cm <sup>2</sup> bei $\Delta p = 0,01$ bar
Water entry pressure	> 1 bar
Temperature range	-40°C +100°C
Protection grade	IP66 67bar IP69K




## Features



RAL 9005


Connecting thread standard length


A	L	SW1	H		Part No.
	mm	mm	mm	Piece	
M12x1,5	10	17	17,8	100	JDAE12PA/SW




RAL 7035

Connecting thread standard length

A	L	SW1	H		Part No.
	mm	mm	mm	Piece	
M12x1,5	10	17	17,8	100	JDAE12PA7035

A	L	SW1	H		Part No.
	mm	mm	mm	Piece	

Connecting thread short

A	L	SW1	{Höhe L1}		Part No.
	mm	mm	mm	Piece	
M12x1,5	6	17	13,8	100	JDAE12PA067035