

THIS DRAWING IS UNPUBLISHED. RELEASED FOR PUBLICATION
 © COPYRIGHT - By - ALL RIGHTS RESERVED.

LOC	DIST	REVISIONS					
		P	LTR	DESCRIPTION	DATE	DWN	APVD
EH	00		AB	REV ECO-09-003102	24FEB09	LH	JG
			AC	REV ECO-09-017006	23JUL09	LH	JG
			AD	REV ECO-11-025083	15DEC2011	LH	PJ

FINISHED CABLE DATA

CONDUCTORS	WIRE AWG	24 AWG SOLID
	MATERIAL	COPPER ²
	PLATING	BARE COPPER
	ELONGATION	15% IN 10 IN. MIN
INSULATION	MATERIAL	POLYOLEFIN ²
JACKET	MATERIAL	FR PVC ²

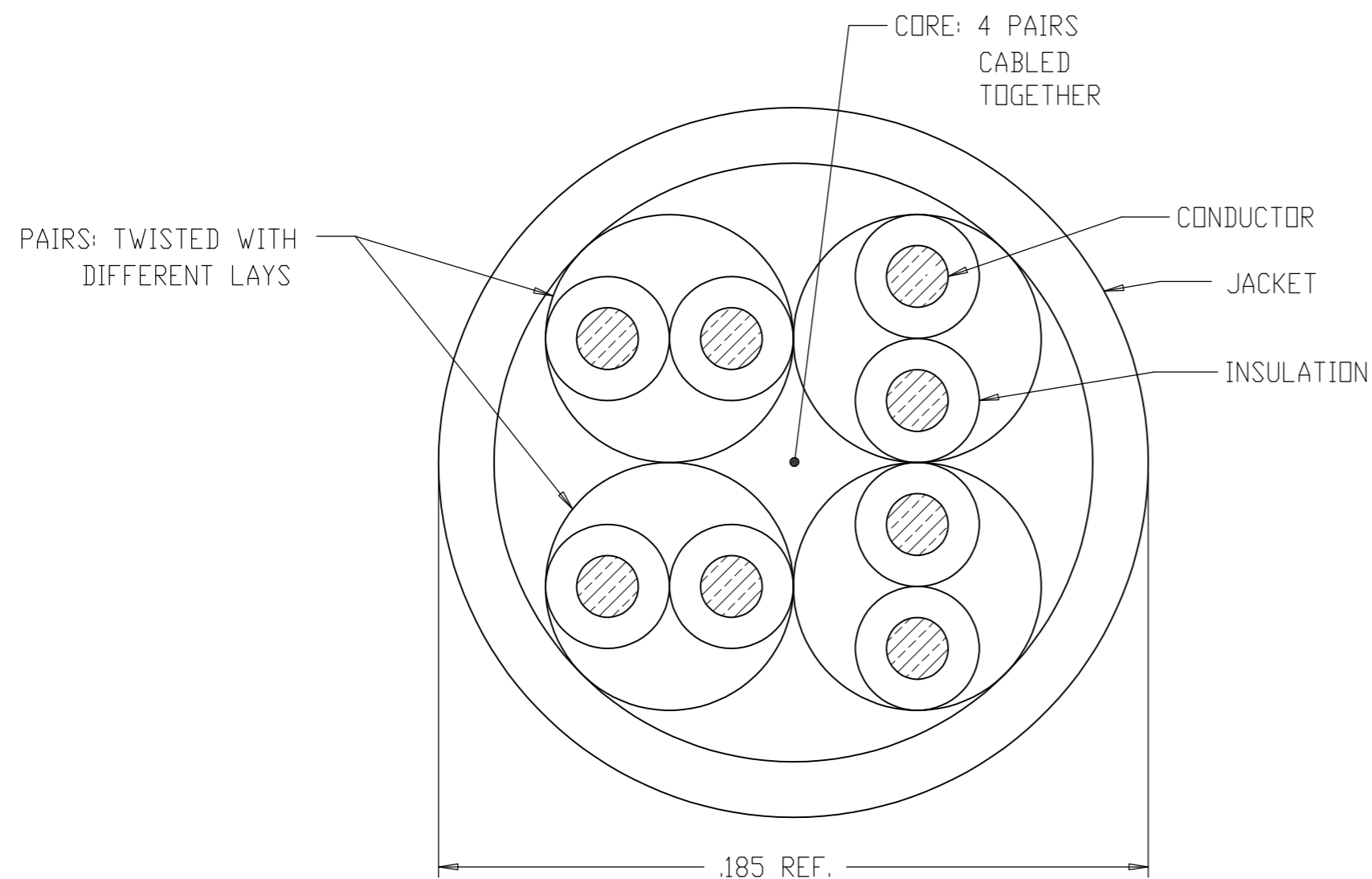
COLOR CODE ³

PAIR	COLOR CODE
1	WHT-BLU/BLU
2	WHT-ORG/ORG
3	WHT-GRN/GRN
4	WHT-BRN/BRN

- ¹ SEQUENTIAL FOOTAGE RETURNED TO ZERO FOR EACH LENGTH
SEQUENTIAL FOOTAGE ACCURACY TO BE ± 1%
- ² MATERIALS ARE SELECTED BASED ON THEIR ABILITY TO CONFORM
TO UL 444 AND EIA/TIA 568 LATEST ISSUES
- ³ INSULATION COLORS SHALL BE BLUE, ORANGE, GREEN,
BROWN AND WHITE WITH CORRESPONDING COLORED STRIPES.
- ⁴ JACKET COLOR SHALL BE IN ACCORDANCE WITH EIA-359-A
WIRE AND CABLE LIMITS OR AMP SUPPLIED COLOR STANDARD
- ⁵ JACKET MARKED PER UL 444.
- ⁶ YYWWDS JX-ZZZ IS DATE CODE:
YY- YEAR
WW- WEEK
D- DAY
S-SHIFT
JX-JACKET LINE NUMBER
ZZZ-CABLE CORE NUMBER

7. GOVERNING SPECIFICATIONS - LATEST REVISIONS
 TIA-568-C.2 CAT 5E
 NEC 800
 UL 444 - CMR

RED	3000±2%	REEL	8-57826-5
BLACK	1000±2%	REEL BOX	8-57826-1
YELLOW	5000±2%	REEL	7-57826-7
BLUE	5000±2%	REEL	7-57826-5
GRAY	5000±2%	REEL	7-57826-3
WHITE	5000±2%	REEL	7-57826-1
GREEN	1000±2%	PULL BOX	6-57826-9
YELLOW	1000±2%	PULL BOX	6-57826-8
YELLOW	3000±2%	REEL	6-57826-7
BLUE	1000±2%	PULL BOX	6-57826-6
BLUE	3000±2%	REEL	6-57826-5
GRAY	1000±2%	PULL BOX	6-57826-4
GRAY	3000±2%	REEL	6-57826-3
WHITE	1000±2%	PULL BOX	6-57826-2
WHITE	3000±2%	REEL	6-57826-1
YELLOW	2500±2%	REEL	5-57826-7
BLUE	2500±2%	REEL	5-57826-5
GRAY	2500±2%	REEL	5-57826-3
WHITE	2500±2%	REEL	5-57826-1
VIOLET	1000±2%	REEL BOX	1-57826-8
RED	1000±2%	REEL BOX	1-57826-6
RED	1000±2%	REEL	1-57826-5
GREEN	1000±2%	REEL BOX	1-57826-4
GREEN	1000±2%	REEL	1-57826-3
PINK	1000±2%	BOX	1-57826-2
PINK	1000±2%	REEL	1-57826-1
YELLOW	1000±2%	REEL BOX	57826-8
ORANGE	1000±2%	REEL BOX	57826-9
YELLOW	1000±2%	REEL	57826-7
BLUE	1000±2%	REEL BOX	57826-6
BLUE	1000±2%	REEL	57826-5
GRAY	1000±2%	REEL BOX	57826-4
GRAY	1000±2%	REEL	57826-3
WHITE	1000±2%	REEL BOX	57826-2
WHITE	1000±2%	REEL	57826-1
COLOR	LENGTH (FEET)	PACKAGE	PART NUMBER



LEGEND TO BE REPEATED EVERY 24"

AMP NETCONNECT 520 SERIES CATEGORY 5E CABLE 24 AWG T256 CMR CULUS ETL VERIFIED TIA-568-C.2 CAT 5E [SEQUENTIAL #] YYWWDS JX-ZZZ



THIS DRAWING IS A CONTROLLED DOCUMENT.		DWN	15JUL03	TE TE Connectivity
		CHK	16JUL03	
		APVD	16JUL03	
		PRODUCT SPEC		
DIMENSIONS: INCHES		TOLERANCES UNLESS OTHERWISE SPECIFIED:		NAME CABLE, NETCONNECT CAT 5e, ENHANCED, 4 UTP, 24AWG, CMR
		0 PLC ± 1 PLC ±.1 2 PLC ±.02 3 PLC ±.005 4 PLC ±.0005 ANGLES ±		
MATERIAL		FINISH		SIZE
				CAGE CODE
				DRAWING NO
				RESTRICTED TO
		WEIGHT		A2 00779 C=57826
		CUSTOMER DRAWING		SCALE
				NTS
		SHEET		1 of 1
		REV		AD