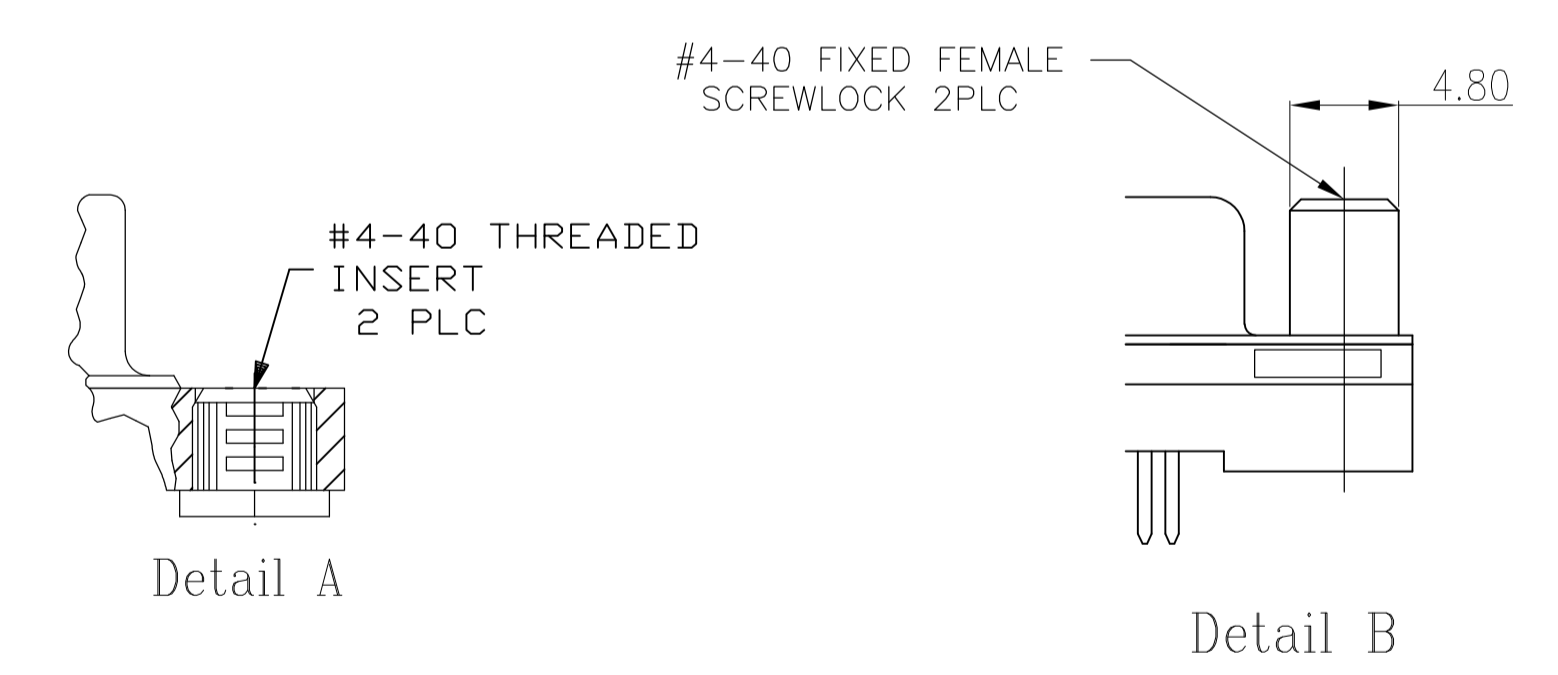
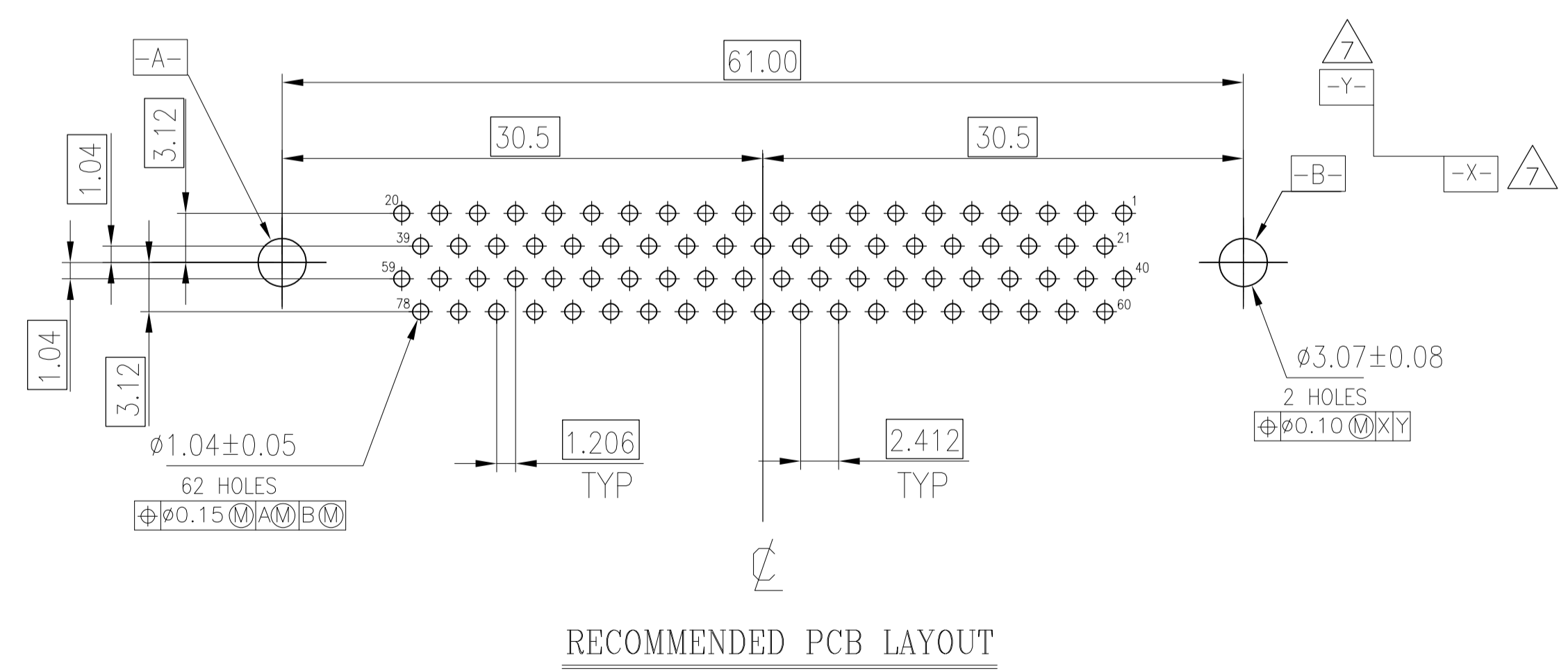
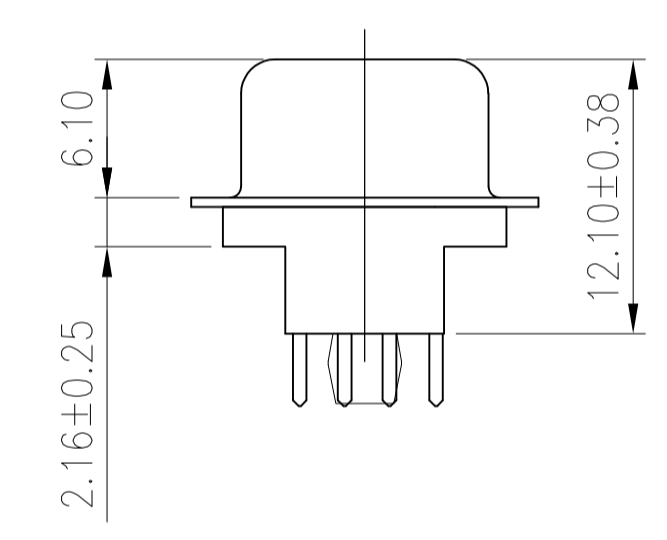
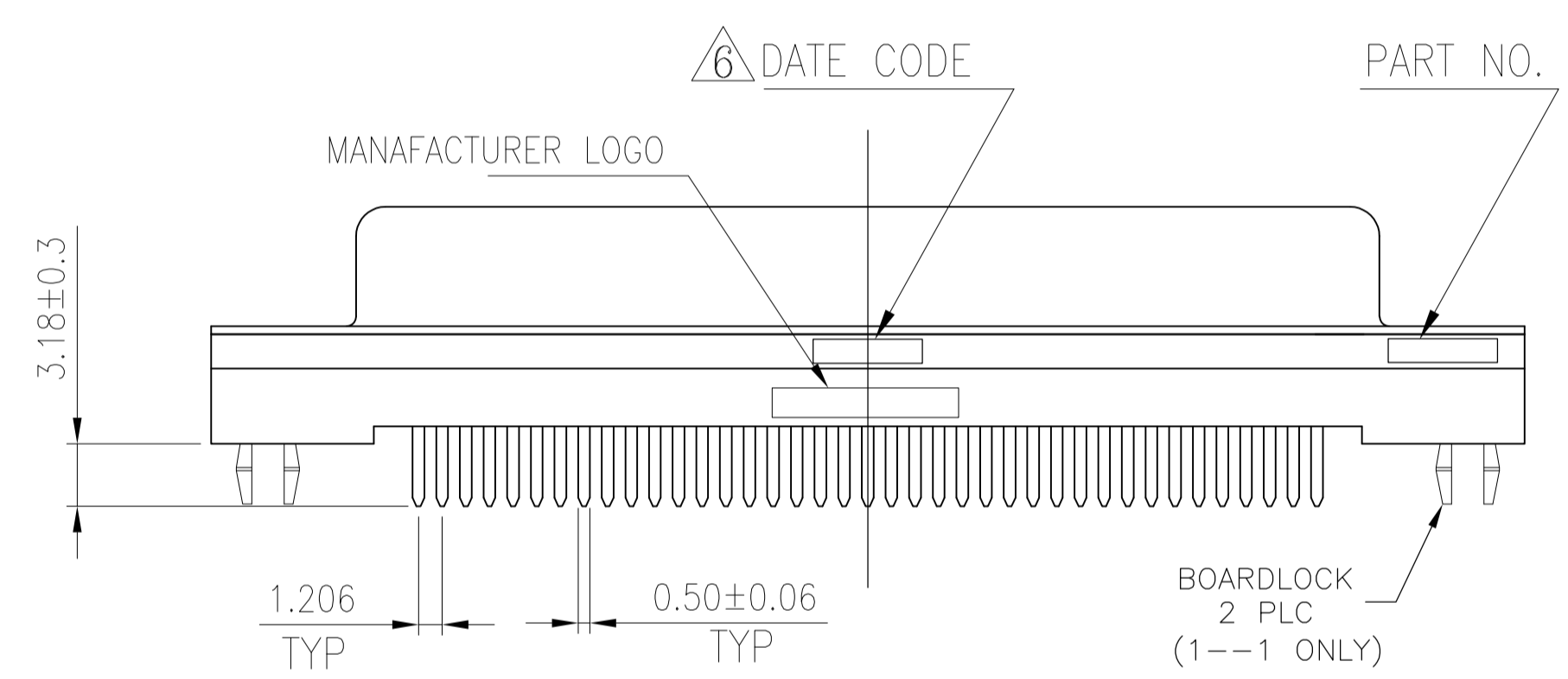


- HOUSING MATERIAL: PBT, GLASS FILLED, BLACK, UL 94V-0 RATED.
- CONTACT MATERIAL: PHOSPHOR BRONZE.
- CONTACT FINISH: GOLD PLATE IN MATING AREA (SEE TABLE), 120μ" MIN TIN PLATE ON SOLDER TAIL, BOTH OVER 50μ" MIN NICKEL UNDERPLATE.
- THREADED INSERTS AND BOARDLOCKS: BRASS, 100u" MIN TIN PLATE OVER 50u" MIN NICKEL UNDERPLATE.
- FEMALE SCREWLOCKS: BRASS, 50u" MIN NICKEL PLATE OVER 50u" MIN COPPER UNDERPLATE.

△6 Four digit date code in this format.
 Year $\begin{matrix} 01 \\ | \\ \hline \end{matrix}$ $\begin{matrix} 45 \\ | \\ \hline \end{matrix}$ Manufacturing Week

△7 DATUMS $\begin{matrix} -X- \\ | \\ \hline \end{matrix}$ & $\begin{matrix} -Y- \\ | \\ \hline \end{matrix}$ TO BE ESTABLISHED BY CUSTOMER.



	YES	Tray	Detail B	30μ" MIN	1-5748831-1
OBSOLETE	NO	Tray	Detail A	Gold flash	1-5748831-0
OBSOLETE	NO	Tray	Detail A	15μ" MIN	5748831-9
	NO	Tray	Detail A	30μ" MIN	5748831-1
BOARDLOCKS	Packaging	Mounting Flange Configuration	Contact Mating Area Finish	AMP Part NO.	

THIS DRAWING IS A CONTROLLED DOCUMENT.

DIMENSIONS: mm	TOLERANCES UNLESS OTHERWISE SPECIFIED:	DIN B1 MCMMASTER 21SEP05	Tyco Electronics Corporation Harrisburg, PA 17105-3608
0 PLC ± -	1 PLC ± 0.30	21SEP05	
2 PLC ± 0.20	3 PLC ± 0.10	APVD M. WALMSLEY 21SEP05	NAME AMPLIMITE HD-22 78 POS RECEPTACLE, VERTICAL
4 PLC ± - ± Z'	ANGLES ± - ± Z'	APPLICATION SPEC	SIZE CAGE CODE DRAWING NO
MATERIAL	FINISH	WEIGHT	A1 00779 C=5748831
CUSTOMER DRAWING		SCALE 3:1	SHEET 1 OF 1 REV B