

8000 Series TTL—Including Tri-State

REFERENCE TABLE *See outline drawings Nos. 109, 111, 114 and 112 (as applicable for 14 pin, 16 pin package etc.) for physical dimensions.*

Code	Function	Stock No.	Connection Diagram No.
DM8090N	NAND Hex Inverter	30532B	C1
DM8091N	Quad 2-Input NAND Buffer	30609C	C2
DM8092N	Dual 5-Input NAND Gate	31020A	C3
DM8095N	TRI-STATE Hex Buffer	31021X	C4
DM8096N	TRI-STATE Hex Inverter	33029F	C5
DM8097N	TRI-STATE Hex Buffer (4-2)	33030R	C6
DM8098N	TRI-STATE Hex Inverter (4-2)	33031G	C7
DM8121N	TRI-STATE 8-Channel Multiplexer (TRI-STATE DM74151)	31022H	C8
DM8123N	TRI-STATE Quad 2-Input Multiplexer	31023F	C9
DM8130N	10-Bit Comparator	31024D	C10
DM8131N	6-Bit Comparator	31025B	C11
DM8160N	6-Bit Comparator	31026X	C12
DM8200N	4-Bit Digital Comparator	19610C	C13
DM8210N	8-Channel Digital Switch	19611A	C14
DM8211N	8-Channel Multiplexer with Strobe	30611D	C15
DM8214N	TRI-STATE Dual 4:1 Data Selector/Multiplexer	30535G	C16
DM8219N	TRI-STATE 16-Bit Data Selector	33032E	C17
DM8220N	Parity Generator/Checker	19612X	C18
DM8223N	1:8 Demultiplexer	33033C	C19
DM8230N	TRI-STATE Demultiplexer	29391E	C20
DM8288N	Presetable Divide-by-12 Counter	30606R	C21
DM8301N	1-of-10 Decoder	33034A	C22
DM8309N	Dual 4-Input Multiplexer	31029E	C23
DM8312N	8-Input Multiplexer	31030H	C24
DM8511N	Dual Gated D Flip-Flop	33036H	C26
DM8512N	Dual Gated J-K Flip-Flop	33037F	C27
DM8520N	Modulo-N-Divider	19617X	C28
DM8542N	TRI-STATE Quad I-O Register	33038D	C29
DM8552N	TRI-STATE Decade Counter/Latch	31031F	C30
DM8553N	TRI-STATE 8-Bit Latch	31032D	C31
DM8554N	TRI-STATE Binary Counter/Latch	31033B	C32
DM8555N	TRI-STATE Presetable Decade Counter	31034X	C33
DM8556N	TRI-STATE Presetable Binary Counter	31035R	C34
DM8573D	1024-Bit Programmable ROM (pROM)	33039B	C35

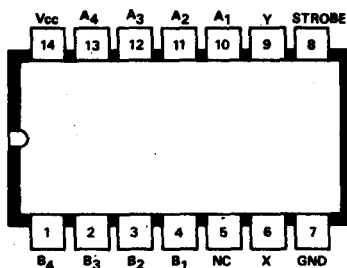
Continued on next page

MANUFACTURER'S CURRENT LIST PRICES ARE ALWAYS CHARGED

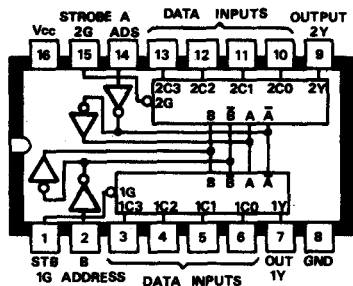
Semiconductors

Connection Diagrams

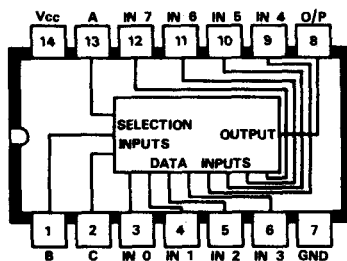
C13 **DM8200N**
4-bit digital comparator



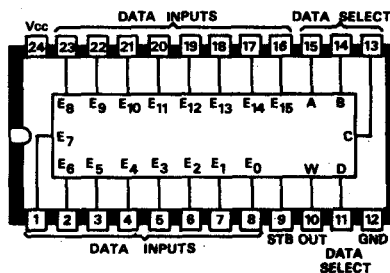
C16 **DM8214N**
Dual 4:1 data selector/multiplexer
(Tri-state)



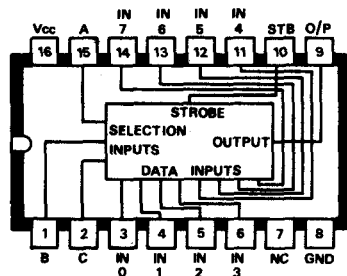
C14 **DM8210N**
8 channel digital switch



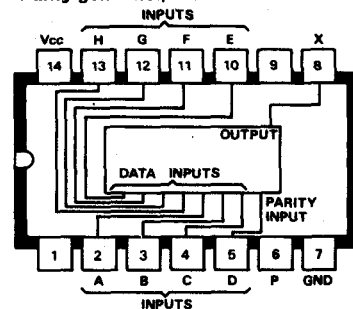
C17 **DM8219N**
16-bit data selector (Tri-state)



C15 **DM8211N**
8 channel multiplexer with strobe



C18 **DM8220N**
Parity generator/checker



MANUFACTURER'S CURRENT LIST PRICES ARE ALWAYS CHARGED