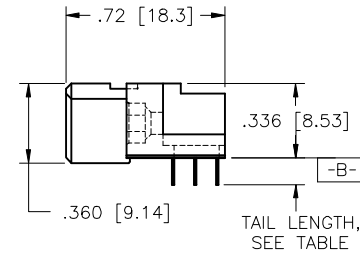
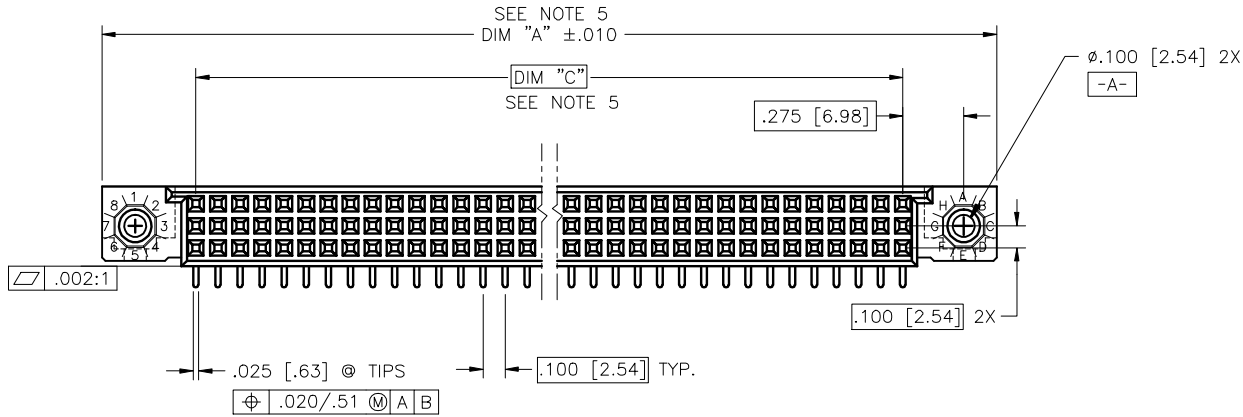
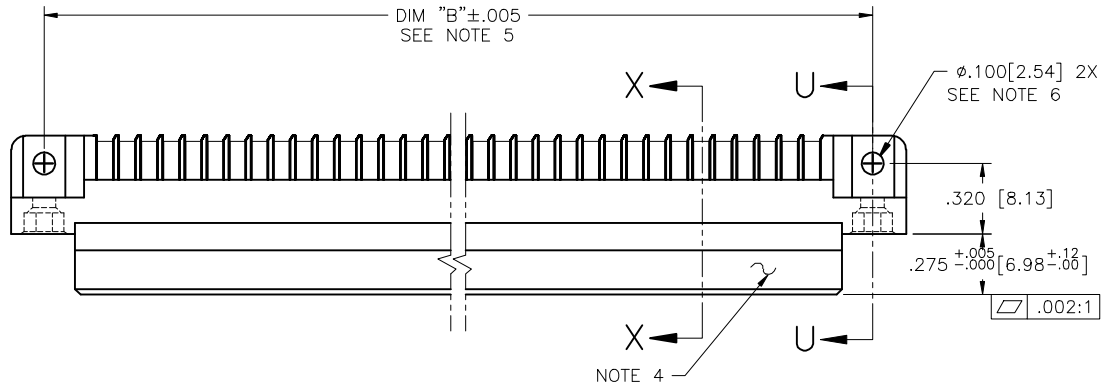


PRODUCT NUMBER
SEE TABLE



mat'l. code NOTE 3				surface ISO 1302	tolerance ISO 406 ISO 1101	projection INCH/MM	product family HPC
ltr	ecn no	dr	date	tolerances unless otherwise specified		scale 1:1	title 3 ROW R/A RECEPTACLE SOLDER TO BOARD, 0 G.P.
J	v00254	JWS	1/13/00	angles	.XX±.01/XX±0.3		
K	v01300	HTB	4/13/00	linear	.XXX±.006/XX±0.13	sheet 1 of 5 size 50294 A3	
L	v05-0895	DCH	9/20/05	0'±2'	.XXX±.0020/XXX±0.05		
M	v05-1052	DAI	11/17/05	dr	G.PETERS 6/5/96	type Product Customer Drawing	
N	m06-0283	MHT	7/27/06	engr	S.CLARK 6/3/95		
P	m07-0099	AGS	2/09/07	chr	S.CLARK 6/5/95		
R	m08-0280	AGS	9/30/08	appd	S.CLARK 6/5/95		
sheet	revision	R	R	R	R		
index	sheet	1	2	3	4	5	

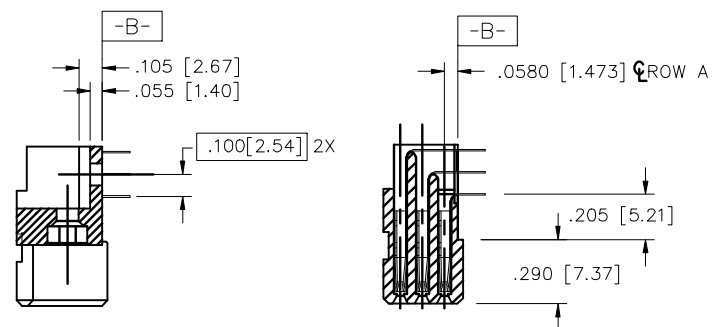
FCJ
FCconnect.com
Copyright FCJ

form A3

PRODUCT NUMBER
SEE TABLE

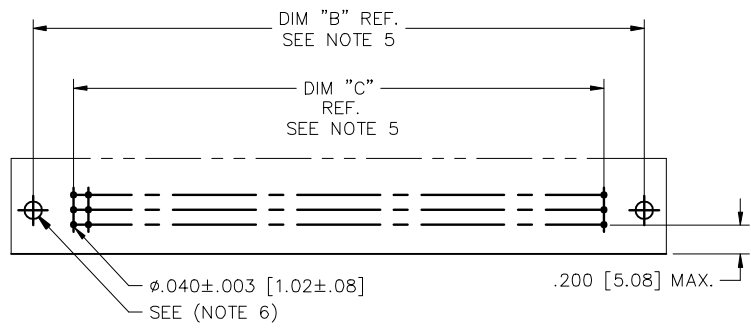
NOTES:

- ①. PRODUCT NUMBERING CODE:
50294 - X YYY Z S LF
 - LEAD FREE (OPTIONAL)
 - SPECIAL FEATURES (NOTE 6)
 - TAIL LENGTH (SEE TABLE)
 - NO. OF POSITIONS (NOTE 2)
 - PLATING (SEE TABLE)
 - BASE NUMBER
- ②. THIS PRODUCT IS CONFIGURED IN SIZES OF 6 thru 80 COLUMNS IN INCREMENTS OF ONE.
i.e.: 6,7,8,9.....79,80.
- ③. HOUSING MATERIAL: GLASS & MINERAL FILLED HIGH-TEMP THERMOPLASTIC,
FLAME RETARDANT PER UL94 V-0.
CONTACT MATERIAL: BeCu
- ④. MANUFACTURE'S NAME, PART NUMBER AND LOT CODE TO APPEAR ON THIS SURFACE PER BUS-12-108.
- ⑤. LENGTH DIMENSION FORMULAS:
DIM "A" = $.100/2.54 \times \text{NO. OF COLUMNS} + .75/19.1$
DIM "B" = $.100/2.54 \times \text{NO. OF COLUMNS} + .450/11.43$
DIM "C" = $.100/2.54 \times \text{NO. OF COLUMNS} - .100/2.54$
- ⑥. SPECIAL FEATURES (SEE SHEET 3) AND TABLE.
 - = IF CODE IS OMITTED FROM PRODUCT NUMBER: CONNECTOR IS PROVIDED AS SHOWN, NO SPECIAL FEATURES ARE SELECTED. FOR P.C.B. ATTACHMENT IN A $\phi.120[3.05]$ MOUNTING HOLE.
 "A" = IF SPECIFIED, PRE-INSTALLED CLAW FOR P.C.B. ATTACHMENT IN A $\phi.100[2.54]$ MOUNTING HOLE. AVAILABLE IN "E" TAIL LENGTH ONLY.
 "B" = IF SPECIFIED, PRE-INSTALLED CLAW FOR P.C.B. ATTACHMENT IN A $\phi.120[3.05]$ MOUNTING HOLE.
 "C" = IF SPECIFIED, MOLDED GUIDE PINS WITH PRE-INSTALLED CLAW FOR P.C.B. ATTACHMENT IN A $\phi.120[3.05]$ MOUNTING HOLE.
 "D" = IF SPECIFIED, MOLDED GUIDE PINS WITH $\phi.120[3.05]$ MOUNTING HOLE (NO CLAW).
- ⑦. CLAW DIMENSION DETERMINED BY P.C.B. HOLE DIAMETER.
8. THIS PRODUCT (WITH "LF" SUFFIX) MEETS EUROPEAN UNION DIRECTIVES AND OTHER COUNTRY REGULATIONS AS DESCRIBED IN GS-22-008.
9. THIS HOUSING WILL WITHSTAND EXPOSURE TO 260 DEGREES C PEAK TEMPERATURE FOR 10-30 SECONDS IN A CONVECTION, INFRA-RED OR VAPOR PHASE REFLOW OVEN.
- ⑩. PLATING OPTION:
MAY BE EITHER GOLD OR GXT PLATED AT MANUFACTURER'S OPTION.



SECTION U-U
NO SPECIAL FEATURE

SECTION X-X

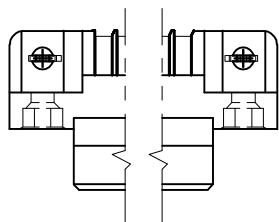


RECOMMENDED PCB LAYOUT
(ALL HOLES LOCATED ON $.100 [2.54]$ GRID UNLESS OTHERWISE SPECIFIED)

mat'l. code		NOTE 3		surface	ISO 1902	tolerance	ISO 406	projection	product family	HPC
lfr	ecn no	dr	date	tolerances unless otherwise specified						
R				angles	linear	.XX±.01/XX±0.3	.XXX±.006/XX±0.13	INCH/MM	title	
				0°±2'		.XXX±.0020/XXX±0.05		scale	3 ROW R/A RECEPTACLE	
				dr	G.PETERS	6/5/96			SOLDER TO BOARD, 0 G.P.	
				engr	S.CLARK	6/3/95			dwg no	
				chr	S.CLARK	6/5/95			sheet 2 of 5	
				appd	S.CLARK	6/5/95			size	
									A3	
sheet		revision		type						
index		sheet		Product Customer Drawing						

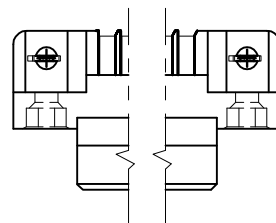
Copyright FCJ
 FCconnect.com

PRODUCT NUMBER
SEE TABLE



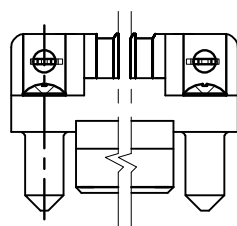
SECTION U-U

SPECIAL FEATURE OPTION "A"
SEE NOTE 6



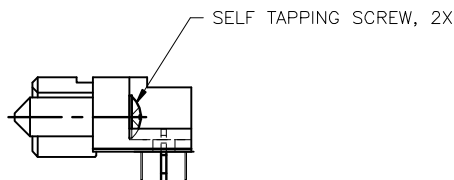
SECTION U-U

SPECIAL FEATURE OPTION "B"
SEE NOTE 6

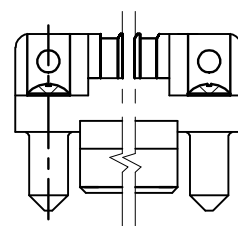


SECTION U-U

SPECIAL FEATURE OPTION "C"
SEE NOTE 6

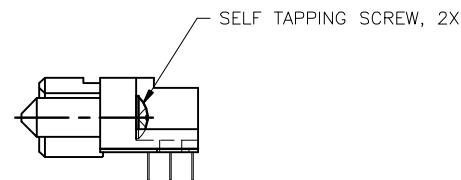


SEE NOTE 7



SECTION U-U

SPECIAL FEATURE OPTION "D"
SEE NOTE 6



Copyright FCI

mat'l. code		NOTE 3		surface	ISO 1302	tolerance	ISO 406	projection	product family
ltr	ec'n no	dr	date	tolerances unless otherwise specified		linear	ISO 1101	 INCH/MM	HPC
R				angles		.XX±.01/XX±0.3			3 ROW R/A RECEPTACLE SOLDER TO BOARD, 0 G.P.
				0'±2'		.XXX±.006/XX±0.13	scale	1:1	
						.XXX±.0020/XXX±0.05			dwg no
				dr	G.PETERS	6/5/96			sheet 3 of 5
				engr	S.CLARK	6/3/95			size
				chr	S.CLARK	6/5/95			A3
				appd	S.CLARK	6/5/95			type
sheet	revision								Product Customer Drawing
index	sheet								

form A3

PRODUCT NUMBER NOTE 1 AND 2	NUMBER OF POSITIONS SEE NOTE 2	TAIL LENGTH ±.010/0.25	SPECIAL FEATURES SEE NOTE 6	TAIL PLATING	CONTACT PLATING SEE NOTE 10
50294-1YYYY	YYY	.125/3.18	NONE	TIN-LEAD	30µ"/0.76µ Au
50294-1YYYYA	YYY	.125/3.18	"A"		30µ"/0.76µ Au
50294-1YYYYB	YYY	.125/3.18	"B"		30µ"/0.76µ Au
50294-1YYYYC	YYY	.125/3.18	"C"		30µ"/0.76µ Au
50294-1YYYYD	YYY	.125/3.18	"D"		30µ"/0.76µ Au
50294-1YYYYF	YYY	.145/3.68	NONE		30µ"/0.76µ Au
50294-1YYYYFB	YYY	.145/3.68	"B"		30µ"/0.76µ Au
50294-1YYYYFC	YYY	.145/3.68	"C"		30µ"/0.76µ Au
50294-1YYYYFD	YYY	.145/3.68	"D"		30µ"/0.76µ Au
50294-1YYYYH	YYY	.180/4.57	NONE		30µ"/0.76µ Au
50294-1YYYYHB	YYY	.180/4.57	"B"		30µ"/0.76µ Au
50294-1YYYYHC	YYY	.180/4.57	"C"		30µ"/0.76µ Au
50294-1YYYYHD	YYY	.180/4.57	"D"		30µ"/0.76µ Au
50294-3YYYY	YYY	.125/3.18	NONE		50µ"/1.27µ Au
50294-3YYYYA	YYY	.125/3.18	"A"		50µ"/1.27µ Au
50294-3YYYYB	YYY	.125/3.18	"B"		50µ"/1.27µ Au
50294-3YYYYC	YYY	.125/3.18	"C"		50µ"/1.27µ Au
50294-3YYYYD	YYY	.125/3.18	"D"		50µ"/1.27µ Au
50294-3YYYYF	YYY	.145/3.68	NONE		50µ"/1.27µ Au
50294-3YYYYFB	YYY	.145/3.68	"B"		50µ"/1.27µ Au
50294-3YYYYFC	YYY	.145/3.68	"C"		50µ"/1.27µ Au
50294-3YYYYFD	YYY	.145/3.68	"D"		50µ"/1.27µ Au
50294-3YYYYH	YYY	.180/4.57	NONE		50µ"/1.27µ Au
50294-3YYYYHB	YYY	.180/4.57	"B"		50µ"/1.27µ Au
50294-3YYYYHC	YYY	.180/4.57	"C"		50µ"/1.27µ Au
50294-3YYYYHD	YYY	.180/4.57	"D"	TIN-LEAD	50µ"/1.27µ Au

PRODUCT NUMBER NOTE 1 AND 2	NUMBER OF POSITIONS SEE NOTE 2	TAIL LENGTH ±.010/0.25	SPECIAL FEATURES SEE NOTE 6	TAIL PLATING	CONTACT PLATING SEE NOTE 10
50294-1YYYYELF	YYY	.125/3.18	NONE	TIN	30µ"/0.76µ Au
50294-1YYYYEALF	YYY	.125/3.18	"A"		30µ"/0.76µ Au
50294-1YYYYEBLF	YYY	.125/3.18	"B"		30µ"/0.76µ Au
50294-1YYYYECLF	YYY	.125/3.18	"C"		30µ"/0.76µ Au
50294-1YYYYEDLF	YYY	.125/3.18	"D"		30µ"/0.76µ Au
50294-1YYYYFLF	YYY	.145/3.68	NONE		30µ"/0.76µ Au
50294-1YYYYFBLF	YYY	.145/3.68	"B"		30µ"/0.76µ Au
50294-1YYYYFCLF	YYY	.145/3.68	"C"		30µ"/0.76µ Au
50294-1YYYYFDLF	YYY	.145/3.68	"D"		30µ"/0.76µ Au
50294-1YYYYHLF	YYY	.180/4.57	NONE		30µ"/0.76µ Au
50294-1YYYYHBLF	YYY	.180/4.57	"B"		30µ"/0.76µ Au
50294-1YYYYHCLF	YYY	.180/4.57	"C"		30µ"/0.76µ Au
50294-1YYYYHDLF	YYY	.180/4.57	"D"		30µ"/0.76µ Au
50294-3YYYYELF	YYY	.125/3.18	NONE		50µ"/1.27µ Au
50294-3YYYYEALF	YYY	.125/3.18	"A"		50µ"/1.27µ Au
50294-3YYYYEBLF	YYY	.125/3.18	"B"		50µ"/1.27µ Au
50294-3YYYYECLF	YYY	.125/3.18	"C"		50µ"/1.27µ Au
50294-3YYYYEDLF	YYY	.125/3.18	"D"		50µ"/1.27µ Au
50294-3YYYYFLF	YYY	.145/3.68	NONE		50µ"/1.27µ Au
50294-3YYYYFBLF	YYY	.145/3.68	"B"		50µ"/1.27µ Au
50294-3YYYYFCLF	YYY	.145/3.68	"C"		50µ"/1.27µ Au
50294-3YYYYFDLF	YYY	.145/3.68	"D"		50µ"/1.27µ Au
50294-3YYYYHLF	YYY	.180/4.57	NONE		50µ"/1.27µ Au
50294-3YYYYHBLF	YYY	.180/4.57	"B"		50µ"/1.27µ Au
50294-3YYYYHCLF	YYY	.180/4.57	"C"		50µ"/1.27µ Au
50294-3YYYYHDLF	YYY	.180/4.57	"D"	TIN	50µ"/1.27µ Au

TABLE CONTINUED ON SHEET 5



Copyright FCJ

mat'l. code				surface		tolerance		projection		product family		
NOTE 3				ISO 1302		ISO 406 ISO 1302				HPC		
ltr	ecn no	dr	date	tolerances unless otherwise specified								
R				angles	linear		INCH/MM		title			
				0° ±2'	.XX±.01/XX±0.3 .XXX±.006/XXX±0.13 XXXX±.0020/XXX±0.05		scale 1:1		3 ROW R/A RECEPTACLE SOLDER TO BOARD, 0 G.P.			
				dr	engr		chr		appd		dwg no	
				G.PETERS	S.CLARK		S.CLARK		S.CLARK		sheet 4 of 5 size	
				6/5/96	6/3/95		6/5/95		6/5/95		A3	
											type	
											Product Customer Drawing	
sheet	revision											
index	sheet											

form A3

PRODUCT NUMBER NOTE 1 AND 2	NUMBER OF POSITIONS SEE NOTE 2	TAIL LENGTH ±.010/0.25	SPECIAL FEATURES SEE NOTE 6	TAIL PLATING	CONTACT PLATING SEE NOTE 10
50294-5YYYE	YYY	.125/3.18	NONE	TIN/LEAD	30μ"/0.76μ GXT
50294-5YYYELF	YYY	.125/3.18	NONE	TIN	
50294-5YYYEA	YYY	.125/3.18	"A"	TIN/LEAD	
50294-5YYYEALF	YYY	.125/3.18	"A"	TIN	
50294-5YYYEB	YYY	.125/3.18	"B"	TIN/LEAD	
50294-5YYYEBLF	YYY	.125/3.18	"B"	TIN	
50294-5YYYEC	YYY	.125/3.18	"C"	TIN/LEAD	
50294-5YYYECLF	YYY	.125/3.18	"C"	TIN	
50294-5YYYED	YYY	.125/3.18	"D"	TIN/LEAD	
50294-5YYYEDLF	YYY	.125/3.18	"D"	TIN	
50294-5YYYF	YYY	.145/3.68	NONE	TIN/LEAD	
50294-5YYYFLF	YYY	.145/3.68	NONE	TIN	
50294-5YYYFB	YYY	.145/3.68	"B"	TIN/LEAD	
50294-5YYYFBLF	YYY	.145/3.68	"B"	TIN	
50294-5YYYFC	YYY	.145/3.68	"C"	TIN/LEAD	
50294-5YYYFCLF	YYY	.145/3.68	"C"	TIN	
50294-5YYYFD	YYY	.145/3.68	"D"	TIN/LEAD	
50294-5YYYFDLF	YYY	.145/3.68	"D"	TIN	
50294-5YYYH	YYY	.180/4.57	NONE	TIN/LEAD	
50294-5YYYHLF	YYY	.180/4.57	NONE	TIN	
50294-5YYYHB	YYY	.180/4.57	"B"	TIN/LEAD	
50294-5YYYHBLF	YYY	.180/4.57	"B"	TIN	
50294-5YYYHC	YYY	.180/4.57	"C"	TIN/LEAD	
50294-5YYYHCLF	YYY	.180/4.57	"C"	TIN	
50294-5YYYHD	YYY	.180/4.57	"D"	TIN/LEAD	
50294-5YYYHDLF	YYY	.180/4.57	"D"	TIN	30μ"/0.76μ GXT



Copyright FCJ

mat'l. code		surface		tolerance		projection		product family	
NOTE 3		ISO 1302		ISO 406				HPC	
ltr		ecp no		dr		date		title	
R								3 ROW R/A RECEPTACLE	
								SOLDER TO BOARD, 0 G.P.	
								scale 1:1	
								dwg no	
								50294	
								sheet 5 of 5 size	
								A3	
								type Product Customer Drawing	
sheet		revision							
index		sheet							

form A3 1 2 3 4 5 6