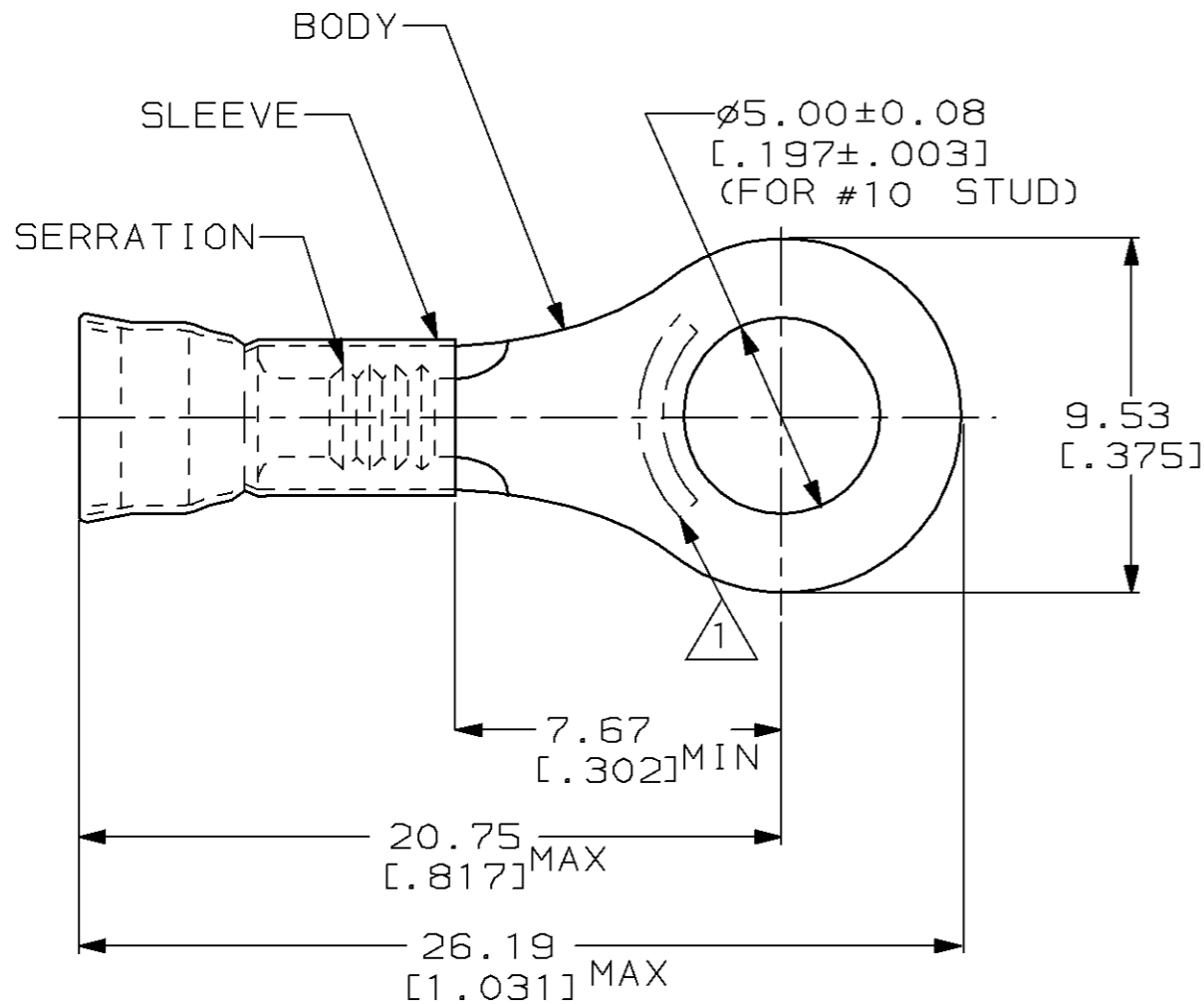


THIS DRAWING IS UNPUBLISHED. RELEASED FOR PUBLICATION ,19 .  
 © COPYRIGHT 19 BY AMP INCORPORATED. ALL RIGHTS RESERVED.

LOC	DIST	REVISIONS			
P	LTR	DESCRIPTION	DATE	DWN	APVD
G	14				
	D	REV / 0L20-0197-97	21AUG97	ME	SB

<b>AMP</b> WIRE RANGE	<b>UL</b> E13288	<b>SR</b> LR7189 Certified
12-10 AWG SOLID OR STRANDED	12-10 AWG SOLID OR STRANDED	12-10 AWG SOLID OR STRANDED



- 1 STAMP AMP 12-10\* LOCATE APPROX AS SHOWN
- 2 WIRE INSUL DIA, 3.81-5.84 [0.150-.230]
- 3 TONGUE MATL THK, 0.99 ± 0.05 [0.039 ± 0.002]

2500	ON TAPE, REEL	2-31771-1
500	LOOSE PIECE	31771
QTY	PACKAGE TYPE	PART NO

**AMP INCORPORATED**  
**CUSTOMER SERVICE SYSTEM**

FOR ADDITIONAL PRODUCT INFORMATION OR COPIES OF DRAWINGS AND TECHNICAL DOCUMENTS: PRODUCT INFORMATION CENTER 1-800-522-6752

FOR APPLICATION TOOLING INFORMATION: TOOLING ASSISTANCE CENTER 1-800-722-1111

FOR ORDER ENTRY: 1-800-526-5142

MAX RECOMMENDED OPERATING TEMPERATURE:  
 170°C [338°F]

VOLTAGE RATING:  
 -

CIRCULAR MIL AREA:  
 2.62mm<sup>2</sup>-6.64mm<sup>2</sup> [5180-13100]

THIS DRAWING IS A CONTROLLED DOCUMENT FOR AMP INCORPORATED. IT IS SUBJECT TO CHANGE AND THE CONTROLLING ENGINEERING ORGANIZATION SHOULD BE CONTACTED FOR THE LATEST REVISION.

DIMENSIONS: mm [in]

TOLERANCES UNLESS OTHERWISE SPECIFIED:

0 PLC	±-
1 PLC	±-
2 PLC	±0.20 [0.008]
3 PLC	±-
4 PLC	±-
ANGLES	±-

MATERIAL: BODY, CU, SLV, CU PER ASTM B152

FINISH: TIN PLATE PER ASTM B 545

DWN: L OLMEDA 23JAN95  
 CHK: M ELLIS 23JAN95  
 APVD: S BORTNER 23JAN95

PRODUCT SPEC: UL486A

APPLICATION SPEC: -

WEIGHT: -

CUSTOMER DRAWING

**AMP** AMP Incorporated  
 Harrisburg, PA 17105-3608

NAME: TERMINAL, RING, DIAMOND GRIP™, WIRE SIZE, 12-10 AWG

SIZE: A3 CAGE CODE: 00779 DRAWING NO: C-31771

SCALE: 6:1 SHEET: 1 OF 1 REV: D