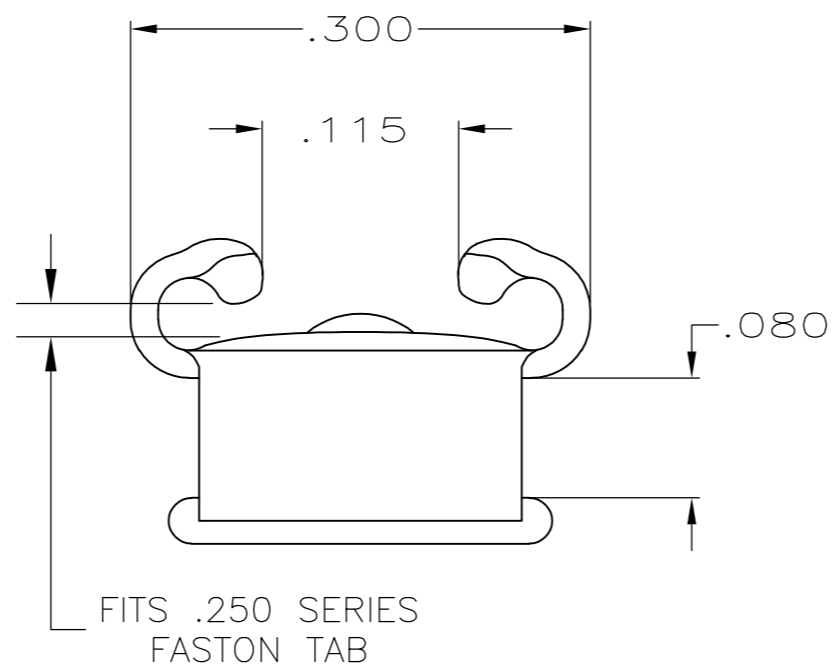
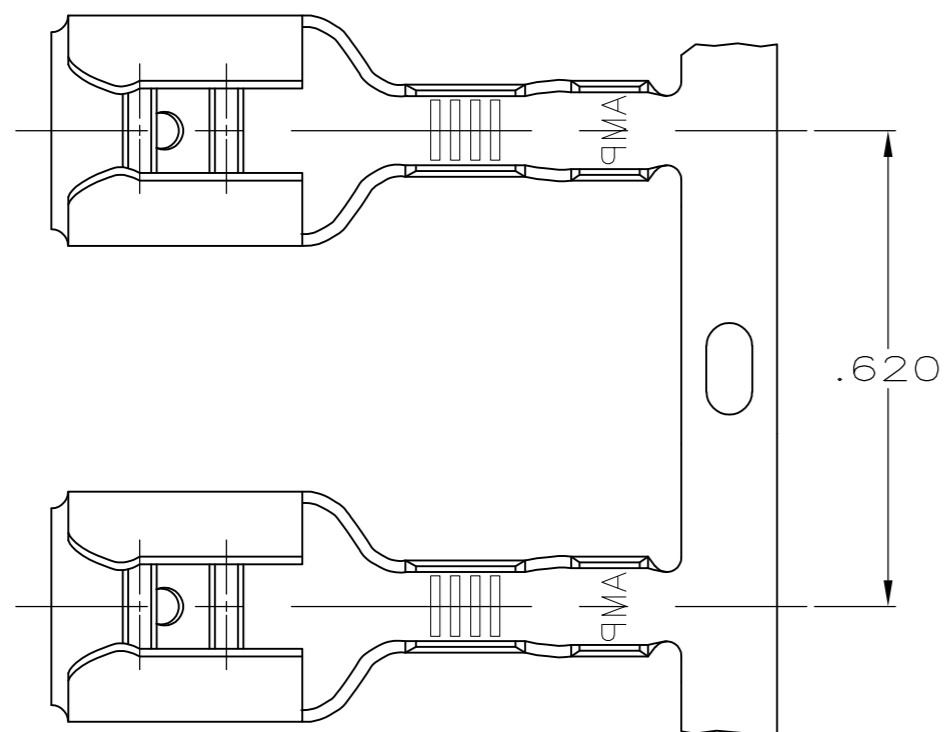


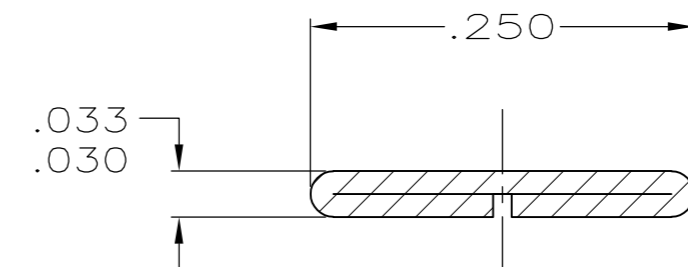
THIS DRAWING IS UNPUBLISHED. RELEASED FOR PUBLICATION
 © COPYRIGHT - By - ALL RIGHTS RESERVED.

LOC	DIST	REVISIONS			
P	LTR	DESCRIPTION	DATE	DWN	APVD
AF	50	M	REVISED PER ECR-12-013445	09NOV12	KH PD

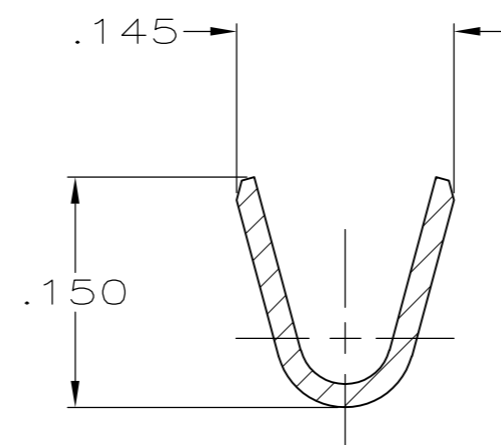
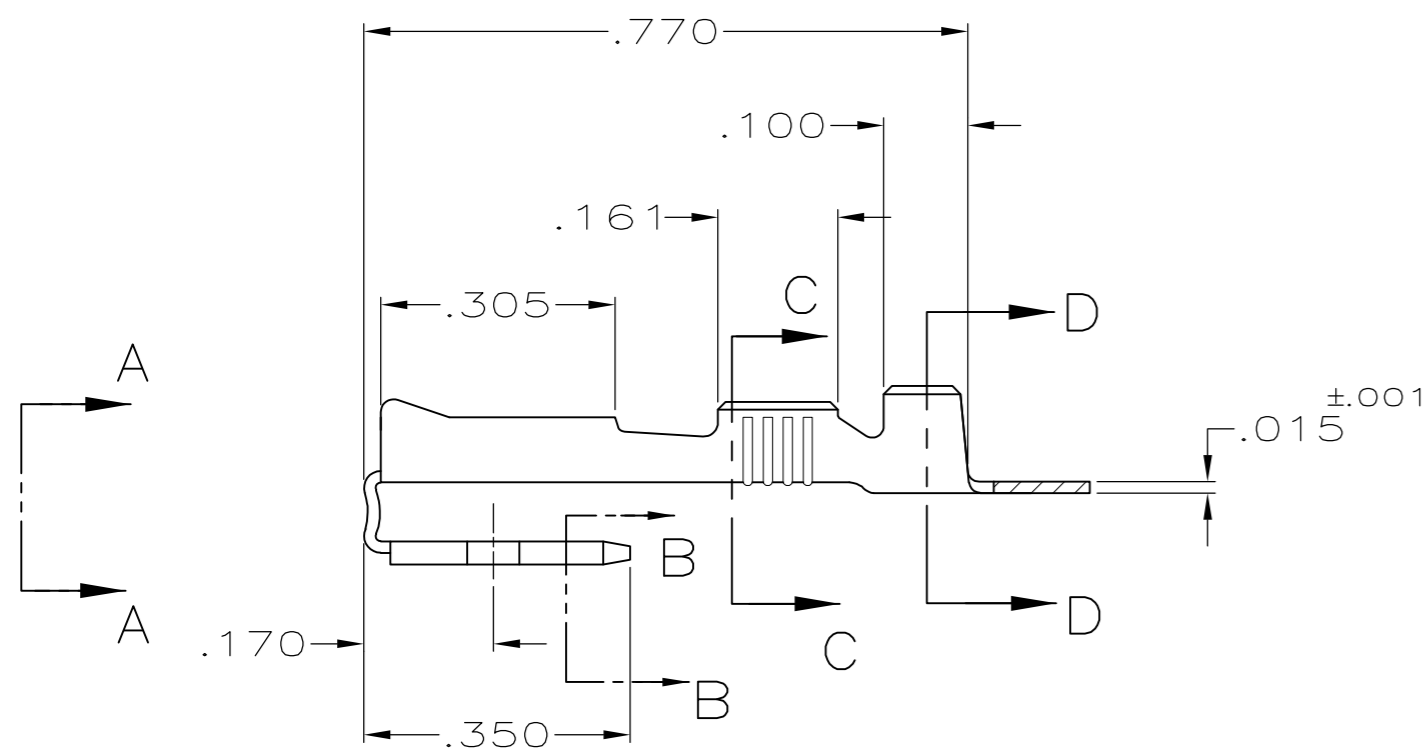
1 CONTINUOUS STRIP ON REELS



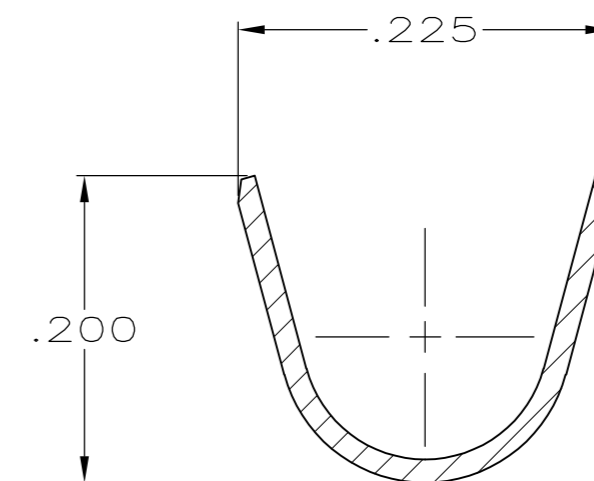
VIEW A-A
SCALE 8:1



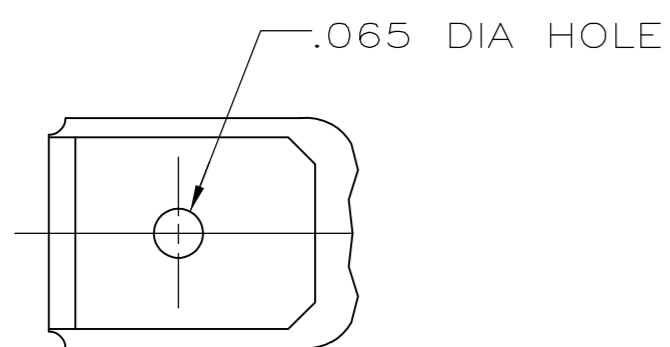
SECTION B-B
SCALE 8:1



SECTION C-C
SCALE 8:1



SECTION D-D
SCALE 8:1



FINISH	MATERIAL	INSULATION RANGE	WIRE SIZE	MATING TAB THK ±.001	PART NUMBER
PRE-TIN	#4H BRASS	.120-.170	18-14	.032	42741-4
TIN	BRASS	.120-.170	18-14	.032	42741-2
-	BRASS	.120-.170	18-14	.032	42741-1

TYPE	WIDTH	STRIP LENGTH ±.015	TYPE	WIDTH	±.002 HEIGHT	WIRE
F	.180	.220	F	.110	.057	18
					.063	16
					.072	14
INSUL BARREL CRIMP			WIRE BARREL CRIMP			

THIS DRAWING IS A CONTROLLED DOCUMENT.

DWN: JR RUTH 7/12/89
 CHK: MS FEHER 7/12/89
 APVD: C MEYERS 7/12/89

TE TE Connectivity

RECEPTACLE, FASTON,™
 PIGGYBACK, .250 SERIES

SIZE: A2 CAGE CODE: 00779 C=42741 DRAWING NO: RESTRICTED TO: -

SCALE: 4:1 SHEET: 1 of 1 REV: M