

PX10-102-D7A



3.0 m | 10 ft Standard Parabolic Unshielded Antenna, dual-polarized, 10.200–10.700 GHz, PDR100, gray antenna, with flash, standard pack—one-piece reflector

Product Classification

Product Type Microwave antenna

General Specifications

Antenna Type	PX - Standard Parabolic Unshielded Antenna, dual-polarized
Diameter, nominal	3.0 m 10 ft
Packing	Standard pack
Reflector Construction	One-piece reflector
Antenna Input	PDR100
Antenna Color	Gray
Antenna Type	PX - Standard Parabolic Unshielded Antenna, dual-polarized
Diameter, nominal	3.0 m 10 ft
Flash Included	Yes
Polarization	Dual

Electrical Specifications

Operating Frequency Band	10.200 – 10.700 GHz
Beamwidth, Horizontal	0.7 °
Beamwidth, Vertical	0.7 °
Boresite Cross Polarization Discrimination (XPD)	30 dB
Electrical Compliance	ETSI Class 1 US FCC Part 101A
Front-to-Back Ratio	58 dB
Gain, Low Band	47.1 dBi
Gain, Mid Band	47.2 dBi
Gain, Top Band	47.3 dBi
Operating Frequency Band	10.200 – 10.700 GHz
Radiation Pattern Envelope Reference (RPE)	3320
Return Loss	26.4 dB
VSWR	1.10

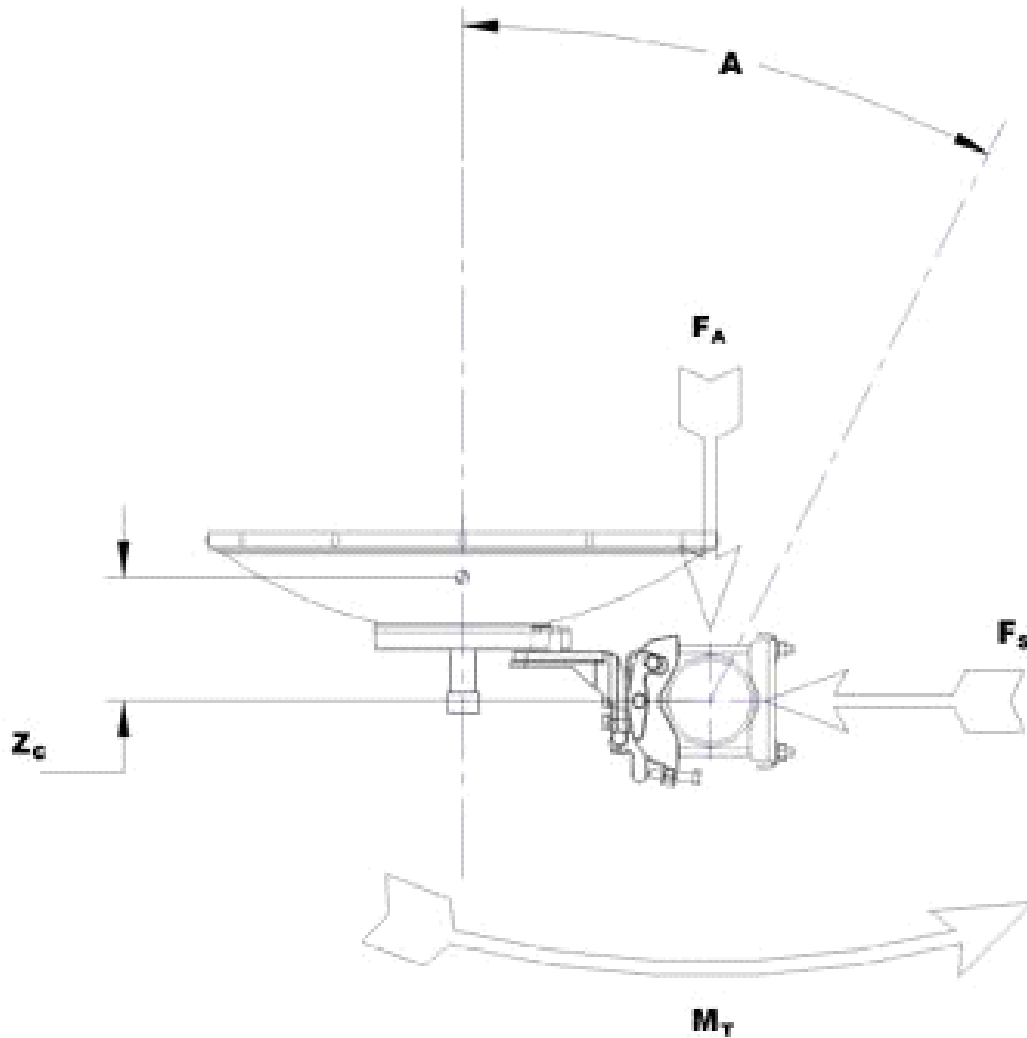
Mechanical Specifications

Fine Azimuth Adjustment	±5°
Fine Elevation Adjustment	±5°
Mounting Pipe Diameter	115 mm 4.5 in
Net Weight	144 kg 317 lb
Side Struts, Included	1 inboard
Side Struts, Optional	2 outboard
Wind Velocity Operational	110 km/h 68 mph
Wind Velocity Survival Rating	200 km/h 125 mph

Wind Forces At Wind Velocity Survival Rating

Angle α for MT Max	-125 °
Axial Force (FA)	24019 N 5400 lbf
Side Force (FS)	6556 N 1474 lbf
Twisting Moment (MT)	-9605 N-m -7084 ft lb
Weight with 1/2 in (12 mm) Radial Ice	356 kg 785 lb
Zcg with 1/2 in (12 mm) Radial Ice	551 mm 22 in
Zcg without Ice	457 mm 18 in

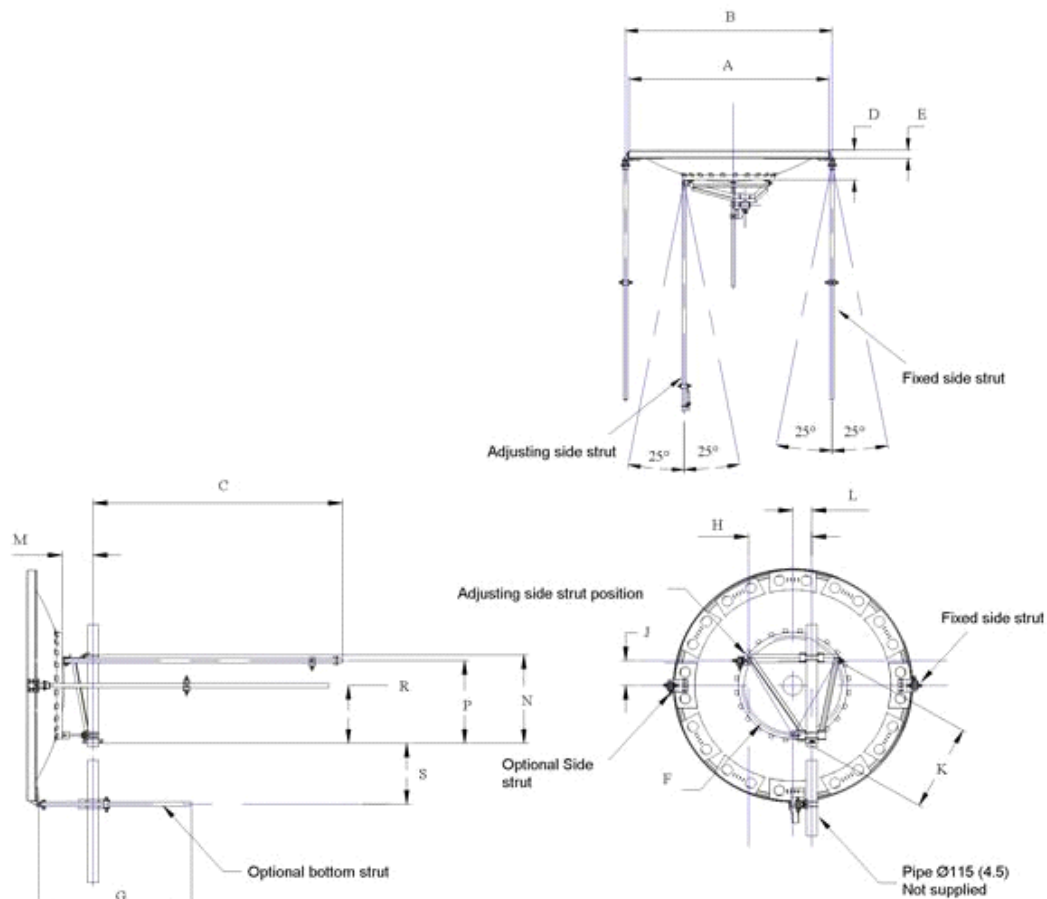
Wind Forces At Wind Velocity Survival Rating Image



Packed Dimensions

Gross Weight, Packed Antenna	398.0 kg 877.4 lb
Height	2490.0 mm 98.0 in
Length	3280.0 mm 129.1 in
Volume	9.3 m ³
Width	2290.0 mm 90.2 in

Antenna Dimensions And Mounting Information



ANTENNA DIMENSIONS			
All dimensions in mm (inches)			
A	3160 (124.5)	J	275 (10.75)
B	3315 (130.5)	K	950 (37.5)
C	3050 (120)	L	200 (8)
D	615 (24.25)	M	330 (13)
E	140 (5.5)	N	950 (37.5)
F	1100 (43.25)	P	895 (35.25)
G	1525 (60)	R	625 (24.5)
H	680 (26.75)	S	695 (27.25)

Regulatory Compliance/Certifications

Agency

ISO 9001:2015

Classification

Designed, manufactured and/or distributed under this quality management system



* Footnotes

Axial Force (FA)	Maximum forces exerted on a supporting structure as a result of wind from the most critical direction for this parameter. The individual maximums specified may not occur simultaneously. All forces are referenced to the mounting pipe.
Boresite Cross Polarization Discrimination (XPD)	The difference between the peak of the co-polarized main beam and the maximum cross-polarized signal over an angle twice the 3 dB beamwidth of the co-polarized main beam.
Front-to-Back Ratio	Denotes highest radiation relative to the main beam, at $180^\circ \pm 40^\circ$, across the band. Production antennas do not exceed rated values by more than 2 dB unless stated otherwise.
Gain, Mid Band	For a given frequency band, gain is primarily a function of antenna size. The gain of Andrew antennas is determined by either gain by comparison or by computer integration of the measured antenna patterns.
Operating Frequency Band	Bands correspond with CCIR recommendations or common allocations used throughout the world. Other ranges can be accommodated on special order.
Packing	Andrew standard packing is suitable for export. Antennas are shipped as standard in totally recyclable cardboard or wire-bound crates (dependent on product). For your convenience, Andrew offers heavy duty export packing options.
Radiation Pattern Envelope Reference (RPE)	Radiation patterns define an antenna's ability to discriminate against unwanted signals. Under still dry conditions, production antennas will not have any peak exceeding the current RPE by more than 3dB, maintaining an angular accuracy of $\pm 1^\circ$ throughout
Return Loss	The figure that indicates the proportion of radio waves incident upon the antenna that are rejected as a ratio of those that are accepted.
Side Force (FS)	Maximum side force exerted on the mounting pipe as a result of wind from the most critical direction for this parameter. The individual maximums specified may not occur simultaneously. All forces are referenced to the mounting pipe.
Twisting Moment (MT)	Maximum forces exerted on a supporting structure as a result of wind from the most critical direction for this parameter. The individual maximums specified may not occur simultaneously. All forces are referenced to the mounting pipe.
VSWR	Maximum; is the guaranteed Peak Voltage-Standing-Wave-Ratio within the operating band.
Wind Velocity Operational	The wind speed where the antenna deflection is equal to or less than 0.1 degrees. In the case of ValuLine antennas, it is defined as a maximum deflection of 0.3 x the 3 dB beam width of the antenna.
Wind Velocity Survival Rating	The maximum wind speed the antenna, including mounts and radomes, where applicable, will withstand without permanent deformation. Realignment may be required. This wind speed is applicable to antenna with the specified amount of radial ice.

PX10-102



3.0 m | 10 ft Standard Parabolic Unshielded Antenna, dual-polarized, 10.200–10.700 GHz

Product Classification

Product Type Microwave antenna

General Specifications

Antenna Type PX - Standard Parabolic Unshielded Antenna, dual-polarized
Diameter, nominal 3.0 m | 10 ft
Polarization Dual

Electrical Specifications

Beamwidth, Horizontal 0.7 °
Beamwidth, Vertical 0.7 °
Boresite Cross Polarization Discrimination (XPD) 30 dB
Electrical Compliance ETSI Class 1 | US FCC Part 101A
Front-to-Back Ratio 58 dB
Gain, Low Band 47.1 dBi
Gain, Mid Band 47.2 dBi
Gain, Top Band 47.3 dBi
Operating Frequency Band 10.200 – 10.700 GHz
Radiation Pattern Envelope Reference (RPE) 3320
Return Loss 26.4 dB
VSWR 1.10

Mechanical Specifications

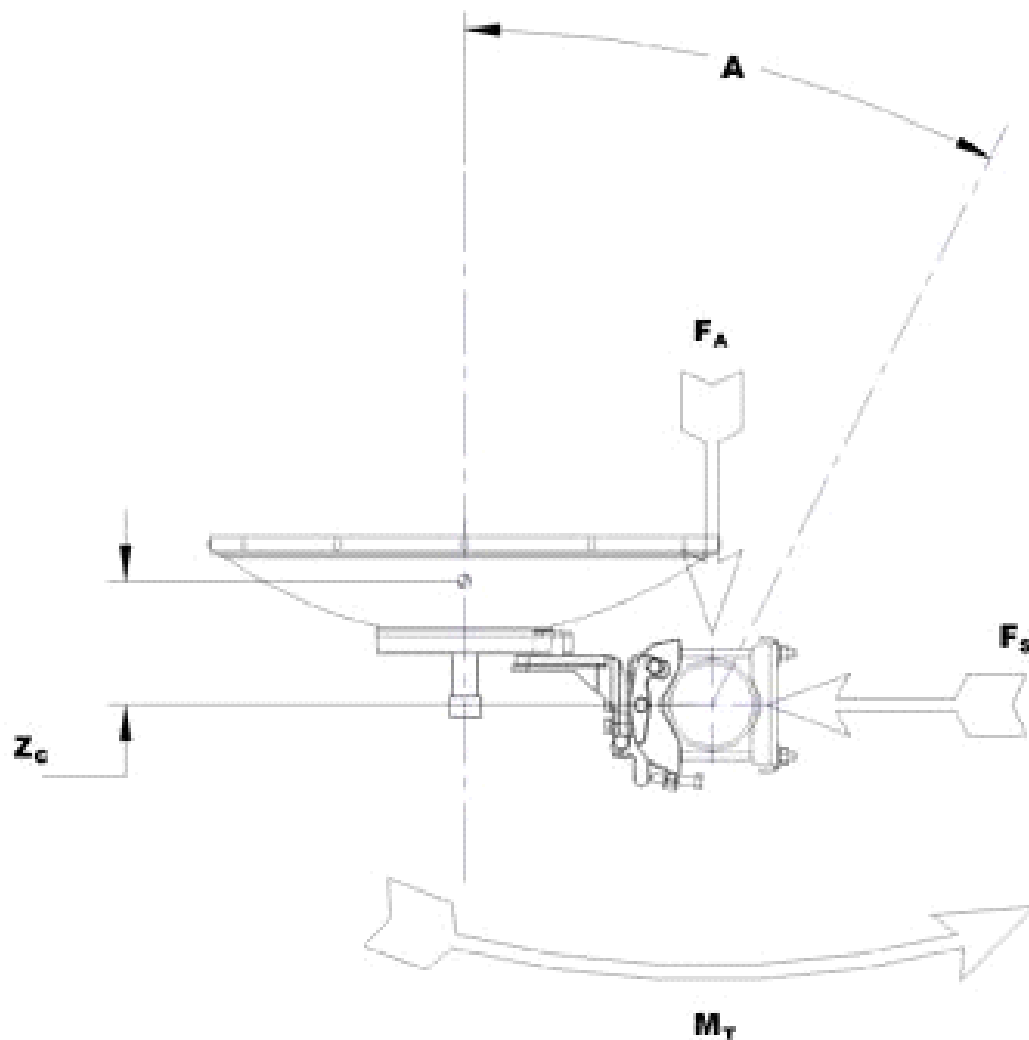
Fine Azimuth Adjustment ±5°
Fine Elevation Adjustment ±5°
Mounting Pipe Diameter 115 mm | 4.5 in
Net Weight 144 kg | 317 lb
Side Struts, Included 1 inboard
Side Struts, Optional 2 outboard

Wind Velocity Operational	110 km/h 68 mph
Wind Velocity Survival Rating	200 km/h 125 mph

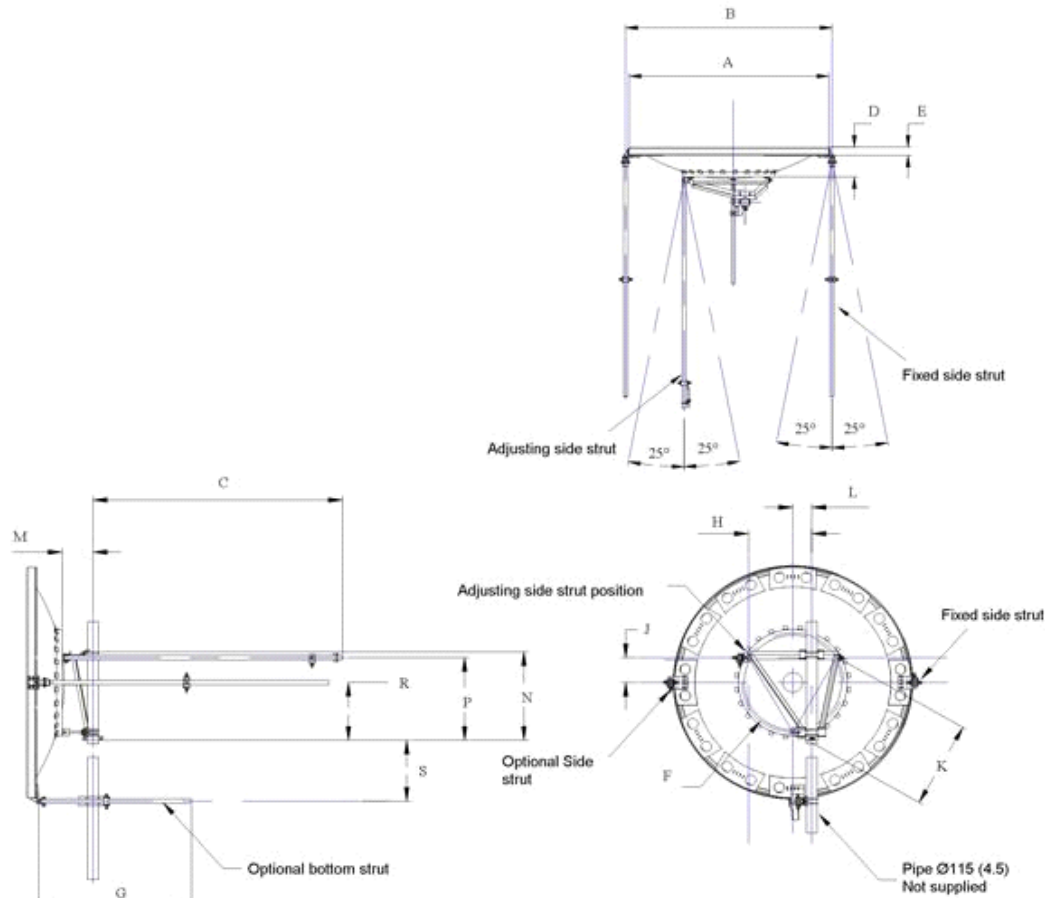
Wind Forces At Wind Velocity Survival Rating

Angle α for MT Max	-125 °
Axial Force (FA)	24019 N 5400 lbf
Side Force (FS)	6556 N 1474 lbf
Twisting Moment (MT)	-9605 N-m -7084 ft lb
Weight with 1/2 in (12 mm) Radial Ice	356 kg 785 lb
Zcg with 1/2 in (12 mm) Radial Ice	551 mm 22 in
Zcg without Ice	457 mm 18 in

Wind Forces At Wind Velocity Survival Rating Image



Antenna Dimensions And Mounting Information



ANTENNA DIMENSIONS			
All dimensions in mm (inches)			
A	3160 (124.5)	J	275 (10.75)
B	3315 (130.5)	K	950 (37.5)
C	3050 (120)	L	200 (8)
D	615 (24.25)	M	330 (13)
E	140 (5.5)	N	950 (37.5)
F	1100 (43.25)	P	895 (35.25)
G	1525 (60)	R	625 (24.5)
H	680 (26.75)	S	695 (27.25)

Regulatory Compliance/Certifications

Agency

ISO 9001:2015

Classification

Designed, manufactured and/or distributed under this quality management system



* Footnotes

Axial Force (FA)	Maximum forces exerted on a supporting structure as a result of wind from the most critical direction for this parameter. The individual maximums specified may not occur simultaneously. All forces are referenced to the mounting pipe.
Boresite Cross Polarization Discrimination (XPD)	The difference between the peak of the co-polarized main beam and the maximum cross-polarized signal over an angle twice the 3 dB beamwidth of the co-polarized main beam.
Front-to-Back Ratio	Denotes highest radiation relative to the main beam, at $180^\circ \pm 40^\circ$, across the band. Production antennas do not exceed rated values by more than 2 dB unless stated otherwise.
Gain, Mid Band	For a given frequency band, gain is primarily a function of antenna size. The gain of Andrew antennas is determined by either gain by comparison or by computer integration of the measured antenna patterns.
Operating Frequency Band	Bands correspond with CCIR recommendations or common allocations used throughout the world. Other ranges can be accommodated on special order.
Radiation Pattern Envelope Reference (RPE)	Radiation patterns define an antenna's ability to discriminate against unwanted signals. Under still dry conditions, production antennas will not have any peak exceeding the current RPE by more than 3dB, maintaining an angular accuracy of $\pm 1^\circ$ throughout
Return Loss	The figure that indicates the proportion of radio waves incident upon the antenna that are rejected as a ratio of those that are accepted.
Side Force (FS)	Maximum side force exerted on the mounting pipe as a result of wind from the most critical direction for this parameter. The individual maximums specified may not occur simultaneously. All forces are referenced to the mounting pipe.
Twisting Moment (MT)	Maximum forces exerted on a supporting structure as a result of wind from the most critical direction for this parameter. The individual maximums specified may not occur simultaneously. All forces are referenced to the mounting pipe.
VSWR	Maximum; is the guaranteed Peak Voltage-Standing-Wave-Ratio within the operating band.
Wind Velocity Operational	The wind speed where the antenna deflection is equal to or less than 0.1 degrees. In the case of Valuline antennas, it is defined as a maximum deflection of 0.3 x the 3 dB beam width of the antenna.
Wind Velocity Survival Rating	The maximum wind speed the antenna, including mounts and radomes, where applicable, will withstand without permanent deformation. Realignment may be required. This wind speed is applicable to antenna with the specified amount of radial ice.