

MICRO SWITCH

FREEPORT ILLINOIS U S A
A DIVISION OF HONEYWELL

FED MFG CODE 91929

PACKET

CATALOG LISTING

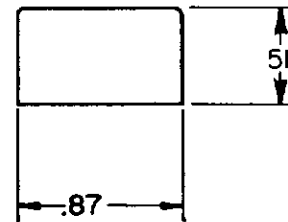
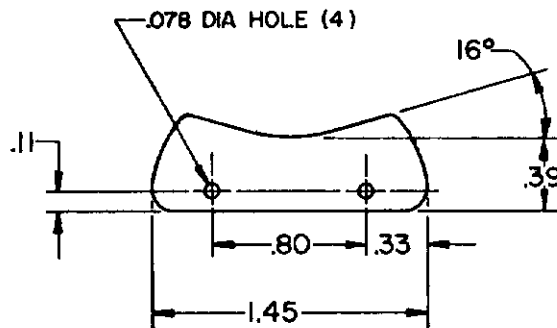
12PA5

SERIES CHART 2

THIS DRAWING COVERS A PROPRIETARY ITEM AND IS THE PROPERTY OF MICRO SWITCH A DIVISION OF HONEYWELL THIS DRAWING IS NOT TO BE COPIED OR USED WITHOUT THE APPROVAL OF MICRO SWITCH

CATALOG LISTING
M 12PA5 SERIES CHART 2
 PAGE 1 OF 1
 ISSUE **3**
 REVISIONS
 A CO-93153 13 MAY 99
 B CO-95304 8 NOV 99
 CHECK KAG 23 JUN 94
 CHECK KAG
 DRAWN LKF 10 JUN 94
 FORMTEK
 RELEASE NO. CO-78465
 REPLACES CHART 2
 12PA5 CHART 2

LISTING	COLOR
12PA5-W-L	1-17 WHITE
(A)	1-2 RED
(A)	1-18 YELLOW
12PA5-BK-L	1-7 BLACK
(B)	1-36 GREEN
(A)	1-5 BLUE



NOTE-

- 1- MATERIAL-OPAQUE MODIFIED STYRENE
- 2- ACTUATOR BUTTON FOR USE WITH "TP" SERIES SWITCHES
- 3- LEGEND PER "TP" LEGEND ORDER SHEET

Mouser Electronics

Authorized Distributor

Click to View Pricing, Inventory, Delivery & Lifecycle Information:

[Honeywell:](#)

[12PA5-BK-L](#) [12PA5-W-L](#)