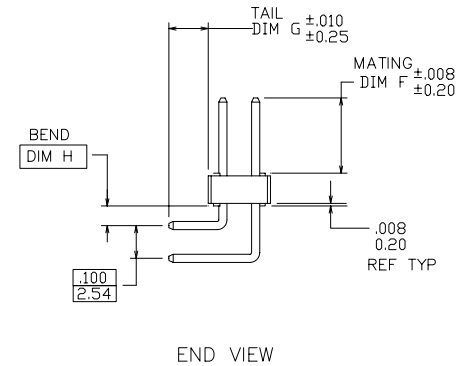
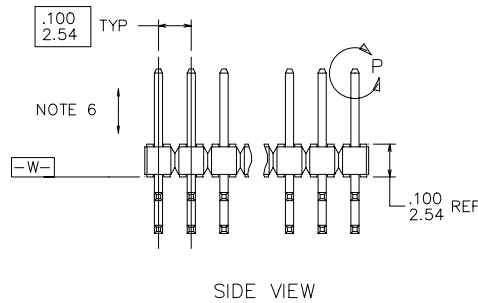
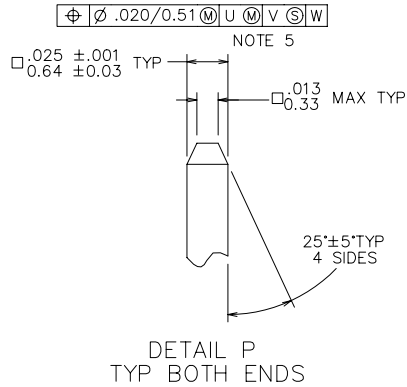
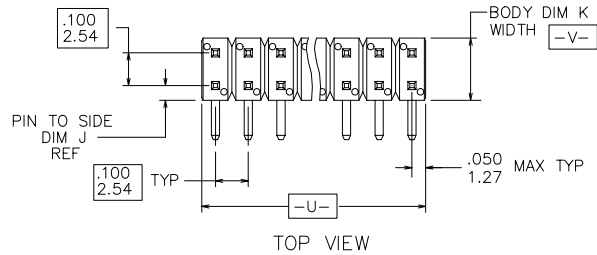


PRODUCT NO.
XXXXX-YYY TLF

- LEAD FREE OPTION
SEE NOTE 9 & 10
- TUBE PACKAGING OPTION
SEE NOTE 8
- NO OF POSITIONS
SEE NOTE 4
- PLATING NUMBER
SEE SHEET 2
- BASE PART NO.

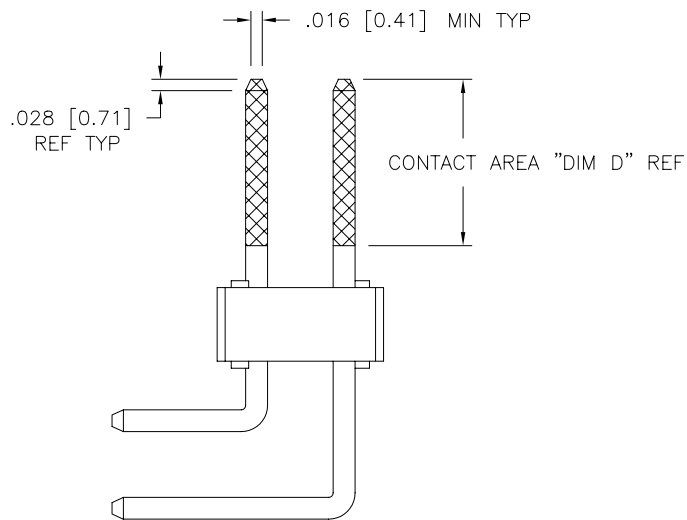


FCIconnect.com

Copyright FCI

mat'l. code		surface		tolerance		projection		product family	
-		ISO 1302 <input checked="" type="checkbox"/>		ISO 406 ISO 1101				BERGSTIK	
ltr		ecn no		date		tolerances unless otherwise specified		title	
A	v41425	MSC	9/22/94			.xx $\pm .01/.3$		BERGSTIK® II HEADER DUPLEX	
B	v61053	EPK	7/31/96	angles	linear	.xxx $\pm .005/.13$.100/2.54cc DR R/A	
C	v61788	HTB	12/12/96	$\sigma \pm 2'$.xxxx $\pm .0020/.051$		scale 2:1	
D	M05-0118	ERE	6/02/05	dr	T. BREWBAKER	7/20/94		dwg no	
E	M06-0270	AEA	7/14/06	enfr	T. HANNA	7/20/94		sheet 1 of 3 size	
				chr	J. MURPHY	7/20/94		94646 A3	
				appd	T. HANNA	7/22/94		type Product Customer Drawing	
sheet index	revision sheet	E	E	E					
		1	2	3					

PLATING NUMBER	CONTACT AREA "DIM. D" (NOTE 3)
XXXX-1YY	30u"/0.76u Au OVER 50u"/1.27u Ni
XXXX-2YY	15u"/0.38u Au OVER 50u"/1.27u Ni



NOTES

1. BODY MATERIAL: GLASS FIBER REINFORCED PCT FLAME RETARDENT PER UL-94V-0. COLOR: BLACK.
2. PIN MATERIAL: PHOS-BRONZE.
3. FINISH:
CONTACT AREA: SEE TABLE
SOLDER TAIL: 100u"/2.54u TIN/LEAD (60/40) OVER 50u"/1.27u Ni
LEAD FREE OPTION:
SOLDER TAIL: 100u"/2.54u TIN OVER 50u"/1.27u Ni
4. ANY NUMBER OF POSITIONS FROM 2 (2X1) THRU 72 (2X36).
5. MEASURED WITH PART IN RESRAINED CONDITION.
6. 2LBS/0.9KG MIN PIN RETENTION IN EITHER DIRECTION.
7. PACKAGED IN POLY BAGS.
8. EIGHT DIGIT PART NUMBERS FOLLOWED BY A "1" ARE PACKAGED IN TUBES. SEE SPECIFIC PART NUMBERS FOR AVAILABILITY.
9. ADD "LF" SUFFIX AT THE END OF PART NUMBER FOR LEAD FREE OPTION.
10. THIS PRODUCT MEETS EUROPEAN UNION DIRECTIVES AND OTHER COUNTRY REGULATION AS DESCRIBED IN GS-22-008.
11. THE HOUSING WILL WITHSTAND EXPOSURE TO 260°C PEAK TEMPERATURE FOR 20 SECONDS IN A CONVECTION, INFRA-RED OR VAPOR PHASE REFLOW OVEN. OR FOR FOR 15 SECONDS IN A WAVE SOLDER APPLICATION WITH A 1.5mm MINIMUM THICK CIRCUIT BOARD. SEE APPLICATION NOTES/PROCEDURES IF THEY ARE AVAILABLE.



FCIconnect.com

Copyright FCI

mat'l. code		surface		tolerance		projection		product family	
-		ISO 1302 ✓		ISO 406		⊕		BERGSTIK	
ISO 1101		tolerances unless otherwise specified		.xx ±.01/.3		INCH/MM		title	
ltr		ecn no dr		date		angles		BERGSTIK® II HDR DUPLEX	
E						linear		.100/2.54cc DR R/A	
						σ±2'		scale 2:1	
								dwg no	
				dr E. KROPIEWICKI 7/31/96		FCI		sheet 2 of 3 size	
				enr T. BREWBAKER 7/31/96				94646 A3	
				chr T. BREWBAKER 7/31/96				type Product Customer Drawing	
				app T. BREWBAKER 7/31/96					
sheet index		revision sheet							

form: A3

PRODUCT NO.	MATING LENGTH		TAIL LENGTH		BEND DIM.		PIN TO SIDE		BODY WIDTH		CONTACT AREA		PACKAGING
	DIM F	DIM F	DIM G	DIM G	DIM H	DIM H	DIM J	DIM J	DIM K	DIM K	DIM D	DIM D	
	ENGLISH	METRIC	ENGLISH	METRIC	ENGLISH	METRIC	ENGLISH	METRIC	ENGLISH	METRIC	ENGLISH	METRIC	
72466-YYY	0.390	9.91	0.100	2.54	0.060	1.52	0.070	1.78	0.240	6.10	0.250	6.35	POLY BAGS
94646-YYY	0.230	5.84	0.095	2.41	0.060	1.52	0.045	1.14	0.190	4.83	0.185	4.70	POLY BAGS
94648-YYY	0.230	5.84	0.120	3.05	0.060	1.52	0.045	1.14	0.190	4.83	0.185	4.70	POLY BAGS
94649-YYY	0.318	8.08	0.107	2.72	0.060	1.52	0.045	1.14	0.190	4.83	0.200	5.08	POLY BAGS
94650-YYY	0.318	8.08	0.150	3.81	0.060	1.52	0.045	1.14	0.190	4.83	0.200	5.08	POLY BAGS
94692-YYY	0.230	5.84	0.095	2.41	0.060	1.52	0.070	1.78	0.240	6.10	0.185	4.70	POLY BAGS
94693-YYY	0.230	5.84	0.120	3.05	0.060	1.52	0.070	1.78	0.240	6.10	0.185	4.70	POLY BAGS
94694-YYY	0.318	8.08	0.107	2.72	0.060	1.52	0.070	1.78	0.240	6.10	0.200	5.08	POLY BAGS
94695-YYY	0.318	8.08	0.150	3.81	0.060	1.52	0.070	1.78	0.240	6.10	0.200	5.08	POLY BAGS
72466-YYLF	0.390	9.91	0.100	2.54	0.060	1.52	0.070	1.78	0.240	6.10	0.250	6.35	POLY BAGS
94646-YYLF	0.230	5.84	0.095	2.41	0.060	1.52	0.045	1.14	0.190	4.83	0.185	4.70	POLY BAGS
94648-YYLF	0.230	5.84	0.120	3.05	0.060	1.52	0.045	1.14	0.190	4.83	0.185	4.70	POLY BAGS
94649-YYLF	0.318	8.08	0.107	2.72	0.060	1.52	0.045	1.14	0.190	4.83	0.200	5.08	POLY BAGS
94650-YYLF	0.318	8.08	0.150	3.81	0.060	1.52	0.045	1.14	0.190	4.83	0.200	5.08	POLY BAGS
94692-YYLF	0.230	5.84	0.095	2.41	0.060	1.52	0.070	1.78	0.240	6.10	0.185	4.70	POLY BAGS
94693-YYLF	0.230	5.84	0.120	3.05	0.060	1.52	0.070	1.78	0.240	6.10	0.185	4.70	POLY BAGS
94694-YYLF	0.318	8.08	0.107	2.72	0.060	1.52	0.070	1.78	0.240	6.10	0.200	5.08	POLY BAGS
94695-YYLF	0.318	8.08	0.150	3.81	0.060	1.52	0.070	1.78	0.240	6.10	0.200	5.08	POLY BAGS



FCJconnect.com

Copyright FCJ

mat'l. code		surface		tolerance		projection		product family	
-		ISO 1302 ✓		ISO 406 ISO 1101				BERGSTIK	
ltr		ecn no dr		date		tolerances unless otherwise specified		title	
E						angles linear .xx ±.01/.3 .xxx ±.005/.13 .xxxx ±.0020/.051		INCH/MM scale 2:1	
						dr E. KROPIEWICKI 7/31/96 engr T. BREWBAKER 7/31/96 chr T. BREWBAKER 7/31/96 appd T. BREWBAKER 7/31/96		dwg no 94646 sheet 3 of 3 size A3	
sheet index		revision sheet						type Product Customer Drawing	