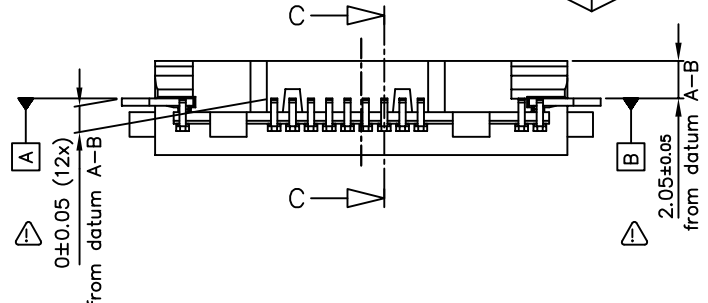
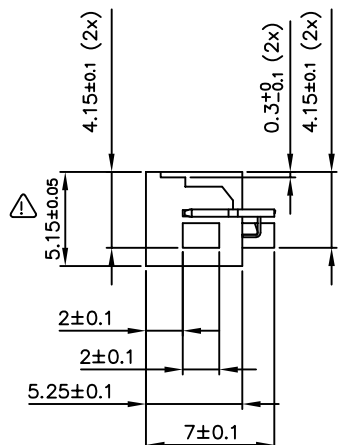
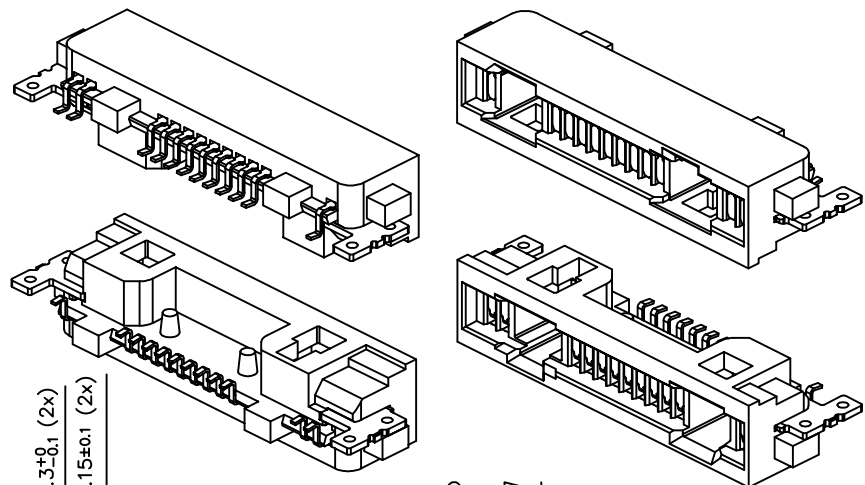
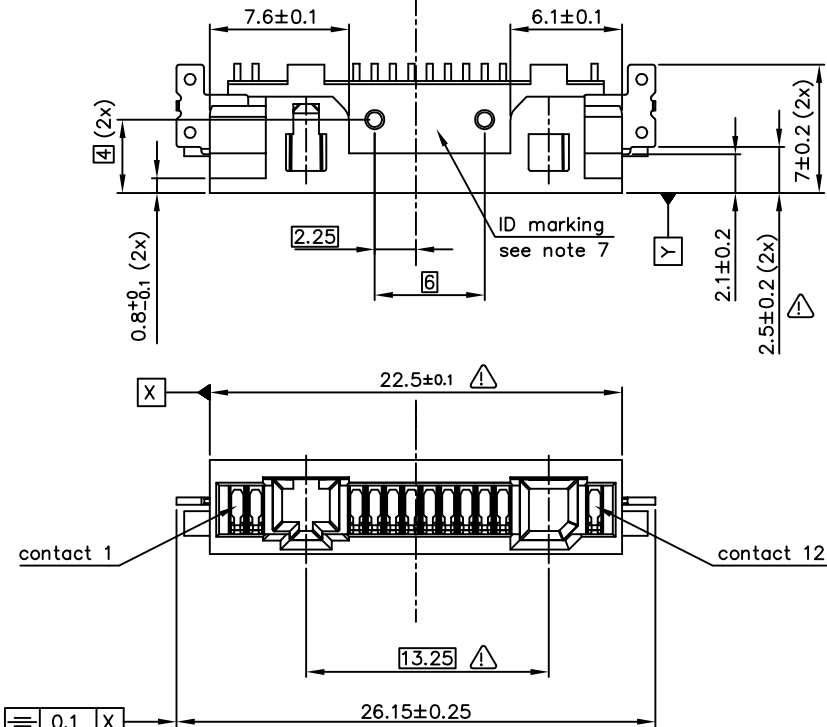


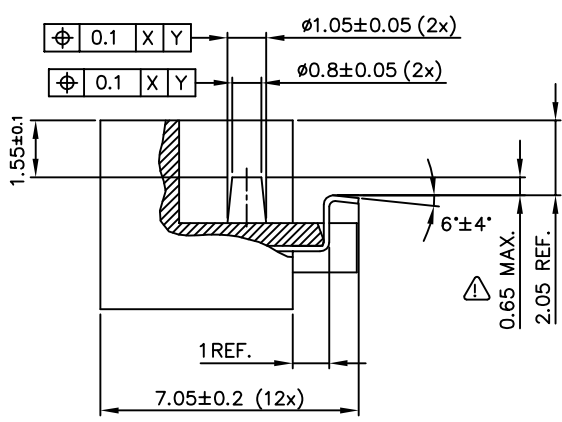
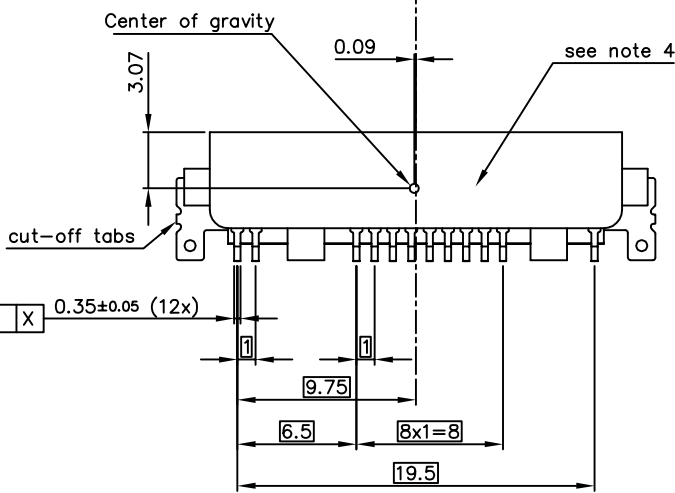
PARTNUMBER	Remark
85570-001LF	lead free product

CENTERLINE OF DATUM X



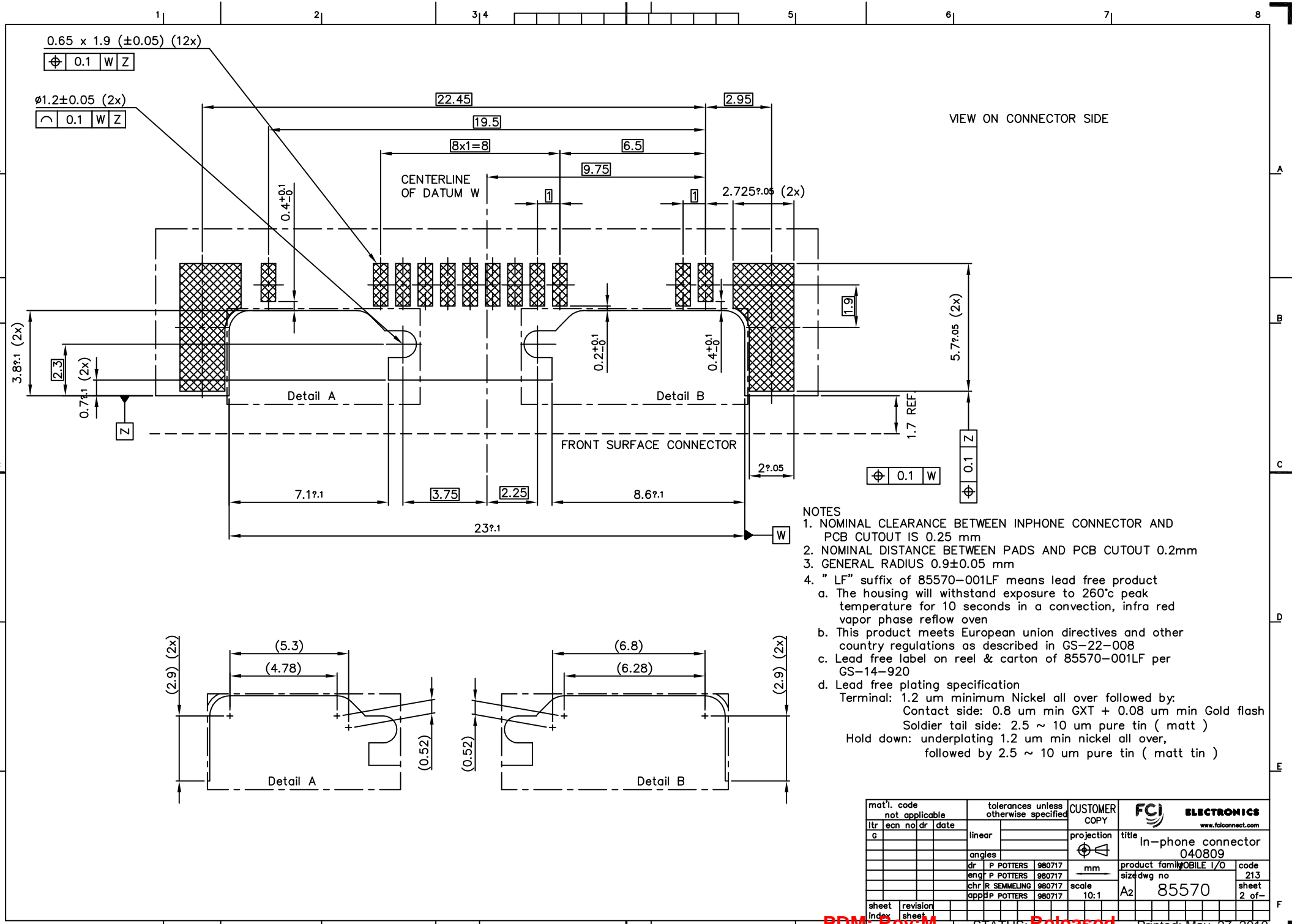
NOTES:

1. Material Housing: VECTRA E130i or ZENITE 6130 L, color black.
2. Material Terminal: Phosphor bronze. Plating: Nickel all over, Palladium Nickel with gold flash in contact zone. Pure Sn in solder zone, except cut-off area at end of solder tails.
3. Material Hold down: Nickel Silver. Plating: Pure Sn all over, except cut-off tabs.
4. No injection point, tooling or ejection marks on this surface.
5. Product to be Tape-On-Reel packaged per packaging specification GES-14-603, 1000 products per reel. Reel dimensions: outside diameter 360 mm max., outside width 50.4 mm max.
6. See sheet 2 for recommended PCB layout.
7. Logo, mould id. (letter) and cavity id. (number) in area shown, height above surface 0.05 max.
8. Critical dimension.
9. Suffix " LF " of 85570-001LF means lead free product



Section C-C (hold-down not shown) Scale 10:1

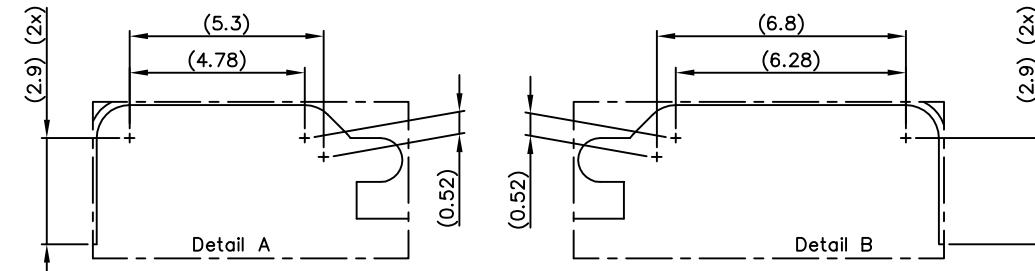
mat'l. code		tolerances unless otherwise specified		CUSTOMER COPY	FCJ ELECTRONICS	
SEE NOTE 1				COPY	www.fcjconnect.com	
itr	ecn no	dr	date	projection	title	
H	H00407	VIB	001004	linear	In-phone connector	
J	LS4032	IE	04/03/22			
K	0004-0006	PM	040805	angles		
L	0004-0006	PM	041201	dr	P POTTERS	980717
M	0008-0482	CL	061107	eng	P POTTERS	980717
				chr	R SEMMELING	980717
G	H00301	VIB	000623	app	P POTTERS	980717
sheet	revision	M	G	scale	5:1	
index	sheet	1	2	A2	85570	
					product fam	MOBILE I/O
					size	dwg no
						1 of 2
						sheet
						1 of 2



VIEW ON CONNECTOR SIDE

FRONT SURFACE CONNECTOR

- NOTES
- NOMINAL CLEARANCE BETWEEN INPHONE CONNECTOR AND PCB CUTOUT IS 0.25 mm
  - NOMINAL DISTANCE BETWEEN PADS AND PCB CUTOUT 0.2mm
  - GENERAL RADIUS  $0.9 \pm 0.05$  mm
  - "LF" suffix of 85570-001LF means lead free product
    - The housing will withstand exposure to 260°C peak temperature for 10 seconds in a convection, infra red vapor phase reflow oven
    - This product meets European union directives and other country regulations as described in GS-22-008
    - Lead free label on reel & carton of 85570-001LF per GS-14-920
    - Lead free plating specification  
 Terminal: 1.2 um minimum Nickel all over followed by:  
 Contact side: 0.8 um min GXT + 0.08 um min Gold flash  
 Soldier tail side: 2.5 ~ 10 um pure tin ( matt )  
 Hold down: underplating 1.2 um min nickel all over,  
 followed by 2.5 ~ 10 um pure tin ( matt tin )



mat'l. code not applicable		tolerances unless otherwise specified		CUSTOMER COPY	FCI ELECTRONICS www.fciconnect.com	
lir	ecr no	dr	date	linear	projection	title
g				angles		In-phone connector 040809
		dr	P POTTERS 980717	mm	product family	MOBILE I/O
		eng	P POTTERS 980717	scale	size	dwg no
		chr	R SEMMELJNG 980717	10:1	A2	85570
		app	P POTTERS 980717			code
sheet	revision					213
Index	sheet					2 of

Tous droits strictement réservés. Reproduction ou communication à des fins commerciales sans autorisation écrite de FCI S.A. est formellement interdite.

All rights strictly reserved. Reproduction or issues to third parties in any form without the written authority from the proprietor.