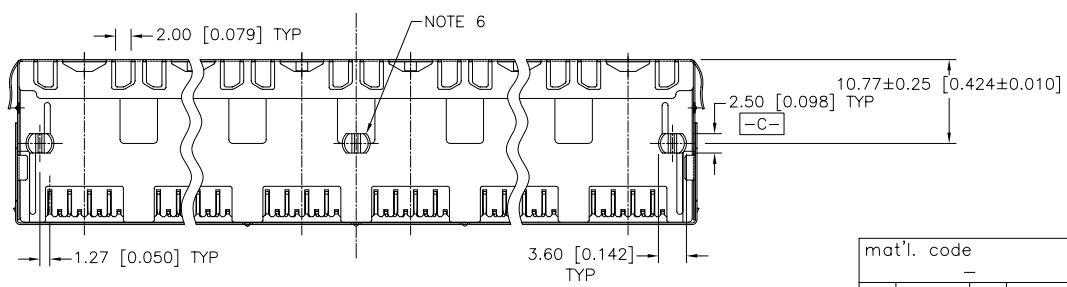
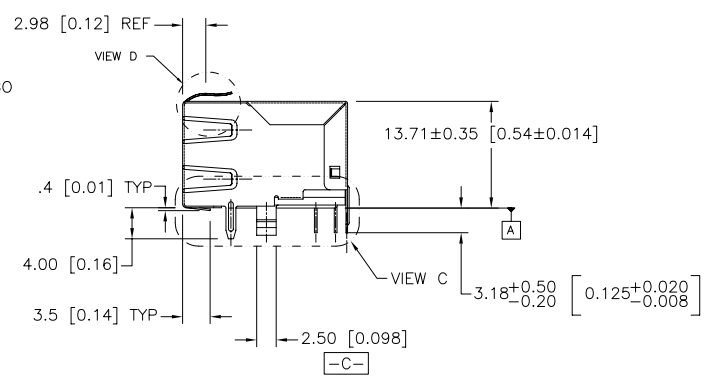
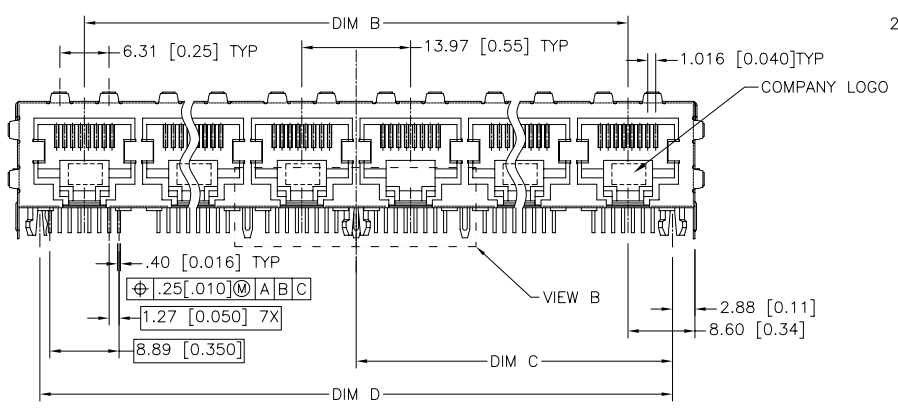
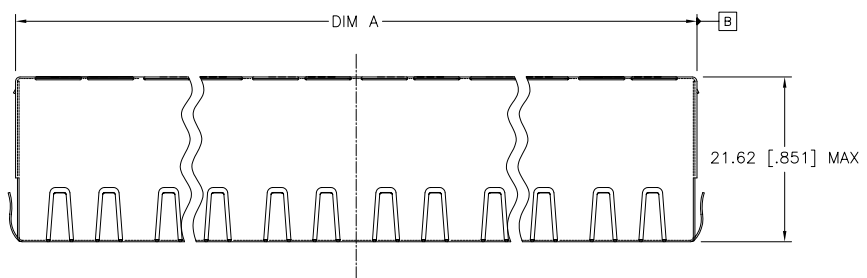


PRODUCT NO
SEE TABLE



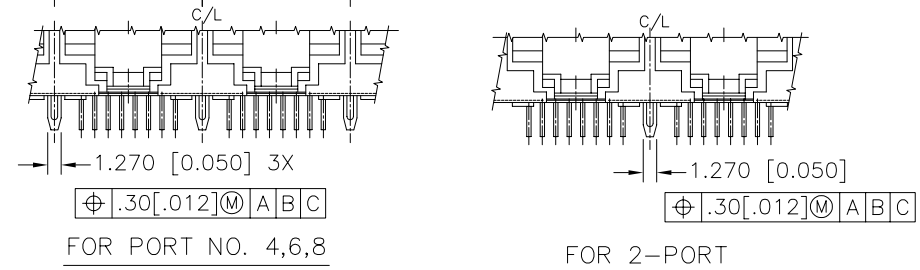
Copyright FCI

mat'l. code		surface		tolerance		projection		product family	
-		ISO 1302 ✓		ISO 406 ISO 1101		MM/INCH		MOD JACK	
ltr	ecn no	dr	date	tolerances unless otherwise specified		MM/INCH		title	
A	V91919	BKB	9/13/99	angles	linear	.x±.3/.01 .xx±.13/.05		NET JACK II, RJ45 THRU HOLE	
B	V92061	LP	10/20/99			.xxx±.051/.00020		SNAP PEG ASSEMBLY	
C	V12718	LP	1/22/02	0'±2'		scale 1:1		dwg no	
D	M05-0074	ERE	04/22/05	dr	B. BAHN	8/3/99		sheet 1 of 5 size	
E	M06-0224	ERE	06/12/06	engr	B. BRUBAKER	8/3/99		98518	
				chr	B. BRUBAKER	8/3/99		A3	
				appd	B. BRUBAKER	8/3/99		type Product Customer Drawing	
sheet index	revision sheet	E	E	E	E	E	E		
		1	2	3	4	5			

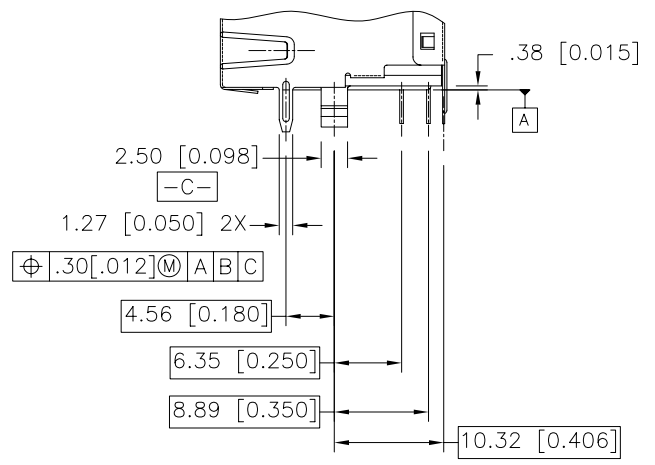
form: A3

PRODUCT NO
SEE TABLE

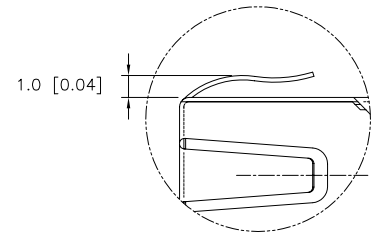
13.97 [0.550] 13.97 [0.550]



VIEW B
(CENTER PEG OMITTED FOR CLARITY)



VIEW C



VIEW D
SCALE: 2/1
TYP FOR ALL GROUND SPRINGS

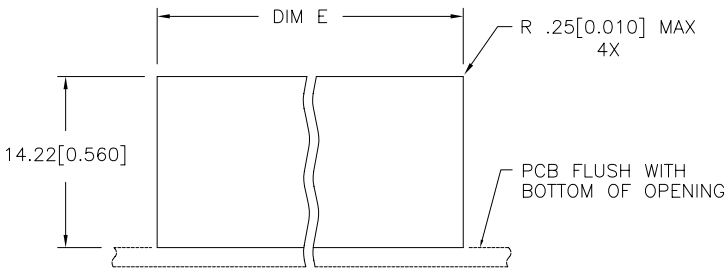
mat'l. code		surface		tolerance		projection		product family	
-		ISO 1302 ✓		ISO 406 ISO 1101				MOD JACK	
ltr		ecn no		date		tolerances unless otherwise specified		title	
E						.X±.3/.01 .XX±.13/.05 .XXX±.051/.00020		NET JACK II, RJ45 THRU HOLE SNAP PEG ASSEMBLY	
				0°±2'		linear		MM/INCH	
						scale 1:1		dwg no	
				dr		B. BAHN 8/3/99		sheet 2 of 5 size	
				engr		B. BRUBAKER 8/3/99		98518	
				chr		B. BRUBAKER 8/3/99		A3	
				appd		B. BRUBAKER 8/3/99		type Product Customer Drawing	
sheet index		revision sheet		1					

FCJ
 FCJconnect.com
 Copyright FCJ

PRODUCT NO.	NO. OF PORTS	DIM A $+0.60$ -0.00 [0.024]	DIM B	DIM C ± 0.10 [± 0.004]	DIM D ± 0.15 [± 0.006]	DIM E ± 0.13 [± 0.005]
98518-52YXXX 98518-52YXXXLF	2	31.68 [1.247]	13.97 [0.550]	12.70 [0.500]	25.40 [1.000]	32.11 [1.264]
98518-54YXXX 98518-54YXXXLF	4	59.62 [2.347]	41.91 [1.650]	26.67 [1.050]	53.34 [2.100]	60.05 [2.364]
98518-56YXXX 98518-56YXXXLF	6	87.56 [3.447]	69.85 [2.750]	40.64 [1.600]	81.28 [3.200]	87.99 [3.464]
98518-58YXXX 98518-58YXXXLF	8	115.50 [4.547]	97.79 [3.850]	54.61 [2.150]	109.22 [4.300]	115.93 [4.564]

NETJACK MAGNETICS
OPTIONS CODE-XXX
SEE GES-12-020

SPRING OPTION Y	DESCRIPTION (SEE SHEET 5 FOR OPTIONAL VIEWS)
1	SPRING ON TOP,BOTTOM AND BOTH SIDES
2	NO SPRINGS
3	SPRINGS ON TOP AND BOTTOM
4	SPRINGS ON TOP,BOTTOM AND 1 PER SIDE (STAGGERED)
5	SAME AS OPTION 4 EXCEPT OPPOSITE STAGGER



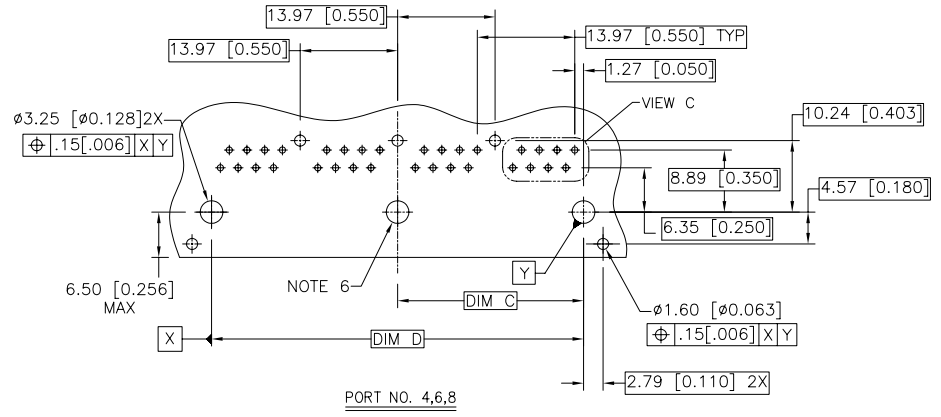
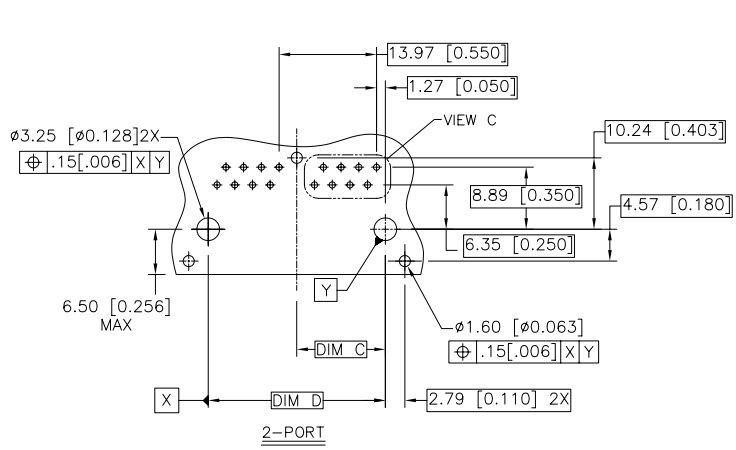
RECOMMENDED PANEL OPENING

NOTES:

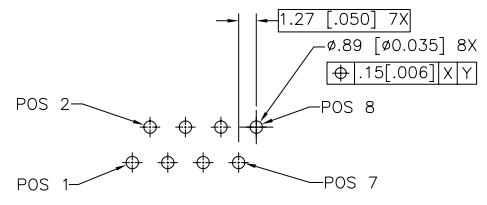
- HOUSING MATL: HIGH TEMP. THERMOPLASTIC, COLOR BLACK, UL94V-0.
- CONTACT MATL: COPPER ALLOY
MATING AREA PLATING: Au OVER Ni., (SEE TABLE).
SOLDER AREA PLATING: 2.54uM/100u" MIN TIN LEAD OVER Ni.
LEAD FREE OPTION:
SOLDER AREA PLATING: 2.54uM/100u" MIN PURE TIN OVER Ni.
- SHIELDING MAT'L: TIN PLATED COPPER ALLOY.
- ALL DIMENSIONS IN MILLIMETERS AND INCHES.
- SEE SHEET 5 FOR GROUND TAB CONFIGURATION.
- CENTER PEG FOR 8 PORT ONLY.
- LF SUFFIX AT THE END OF PART NUMBERS IS LEAD FREE.
- THE HOUSING WILL WITHSTAND EXPOSURE TO 260°C PEAK TEMPERATURE FOR 15 SECONDS IN A WAVE SOLDER APPLICATION WITH A 1.5mm MINIMUM THICK CIRCUIT BOARD. SEE APPLICATION NOTES/PROCEDURES IF THEY ARE AVAILABLE.
- THIS PRODUCT MEETS EUROPEAN UNION DIRECTIVES AND OTHER COUNTRY REGULATION AS DESCRIBED IN GS-22-008.

mat'l. code		surface		tolerance		projection		product family	
-		ISO 1302 ✓		ISO 406		MM/INCH		MOD JACK	
ltr		ecn		no		date		title	
E								NET JACK II, RJ45 THRU HOLE	
								SNAP PEG ASSEMBLY	
								dwg no	
								98518	
								sheet 3 of 5 size	
								A3	
								type	
								Product Customer Drawing	
sheet		revision							
index		sheet		1					

PRODUCT NO
SEE TABLE



RECOMMENDED P.C.B LAYOUT
AS VIEWED FROM TOP SIDE (COMPONENT SIDE)



VIEW C
SCALE 2/1
TYPICAL FOOTPRINT

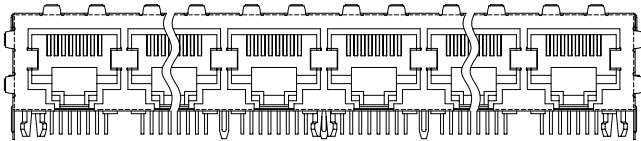
mat'l. code		surface		tolerance		projection		product family	
-		ISO 1302 ✓		ISO 406		MM/INCH		MOD JACK	
ISO 1101		tolerances unless otherwise specified		.X±.3/.01		scale 1:1		title	
E		angles		.XX±.13/.05		NET JACK II, RJ45 THRU HOLE		SNAP PEG ASSEMBLY	
		0'±2'		.XXX±.051/.00020		dwg no		sheet 4 of 5 size	
		dr		B. BAHN 8/3/99		98518		A3	
		enfr		B. BRUBAKER 8/3/99		type		Product Customer Drawing	
		chr		B. BRUBAKER 8/3/99					
		appd		B. BRUBAKER 8/3/99					
sheet index		revision sheet		1					

FCI
FCIconnect.com

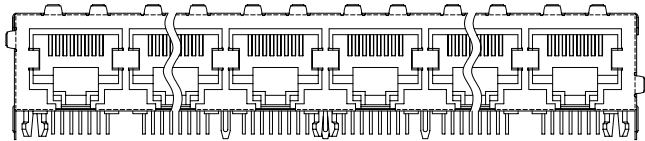
Copyright FCI

PRODUCT NO
SEE TABLE

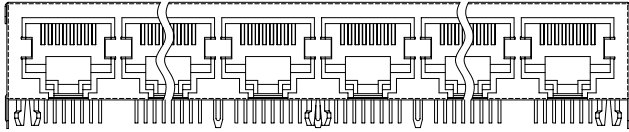
SPRING TAB CONFIGURATION OPTION Y



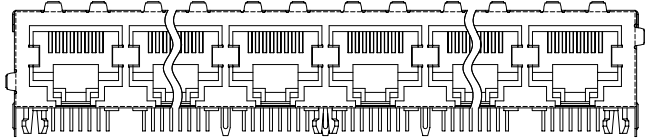
SPRING OPTION 1



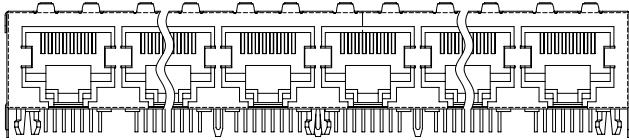
SPRING OPTION 4



SPRING OPTION 2



SPRING OPTION 5



SPRING OPTION 3



Copyright FCI

mat'l. code		surface		tolerance		projection		product family	
-		ISO 1302 ✓		ISO 406 ISO 1101		MM/INCH		MOD JACK	
ltr	ecn	no	dr	date	tolerances unless otherwise specified				
E					angles	linear	.X±.3/.01	title	
					0°±2'		.XX±.13/.05	NET JACK II, RJ45 THRU HOLE	
							.XXX±.051/.00020	SNAP PEG ASSEMBLY	
					dr	B. BAHN	8/3/99	scale 1:1	
					engr	B. BRUBAKER	8/3/99	FCI	
					chr	B. BRUBAKER	8/3/99	dwg no	
					appd	B. BRUBAKER	8/3/99	sheet 5 of 5 size	
sheet		revision		type					
index		sheet		Product Customer Drawing					
		1		98518 A3					