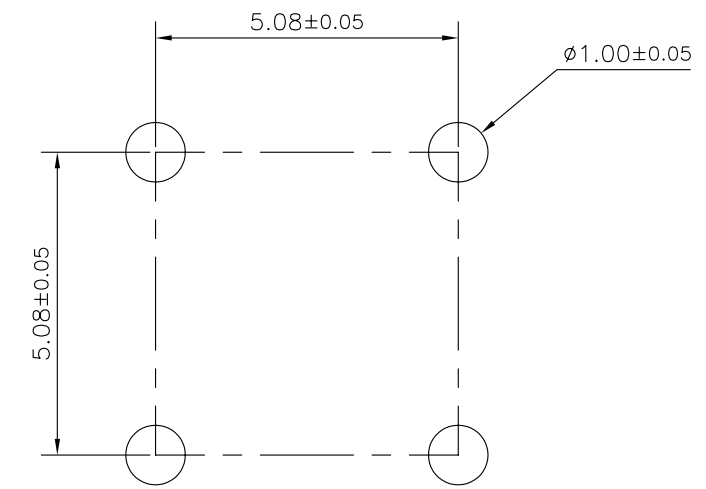
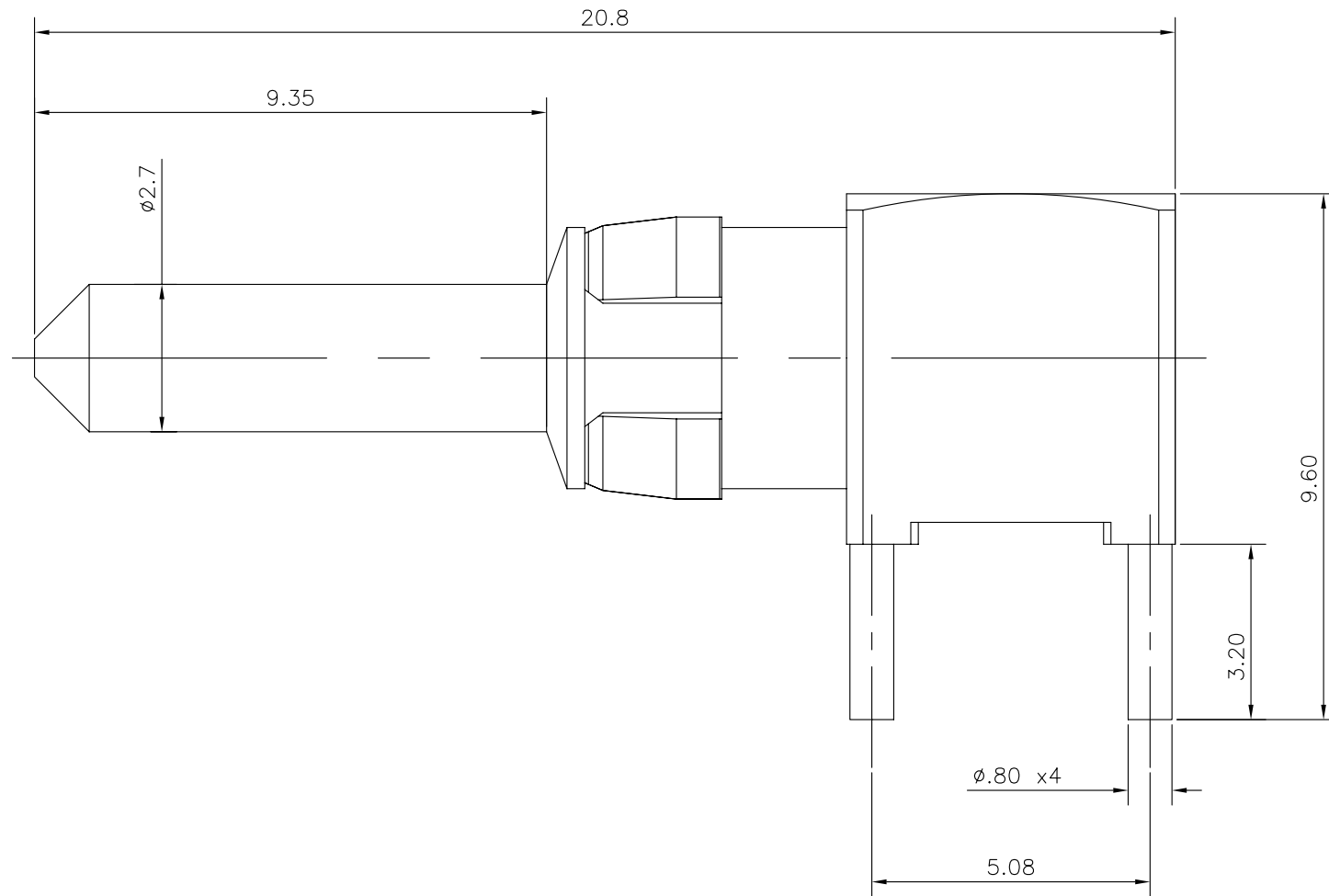


**NOTE**

- 1. PLATED THROUGH HOLE INFORMATION SEE DRAWING BSA,201572,012
- 2. PERFORMANCE CHARACTERISTICS
  - CURRENT CAPACITY - 10 A (4 SOLDER TAGS)
  - INSERTION FORCE - 10 N MAX.
  - WITHDRAWAL FORCE - 1.6 N MIN
  - CONTACT RESISTANCE : < 1 m Ω UNDER 10 A
- 3. THE PRODUCT (LF) MEETS EUROPEAN UNION DIRECTIVES AND OTHER COUNTRY REGULATIONS AS DESCRIBED IN GS-22-008



**PCB LAY-OUT**

CATALOG NO: RM12PIE92---LF

mat'l. code				surface ISO 1302		tolerance ISO 406 ISO 1101		projection		product family MILLIPACS			
ltr				ecn no		dr		date		tolerances unless otherwise specified		title	
A				I05-0122		MINI		2005-07-26		.0±0.1		RIGHT ANGLE MALE CONTACT (DIP SOLDER)	
B				I08-0172		MINI		2008-12-20		MM			
				angles		linear		0°±1°		scale			
				dr		ABRAHAM PETER		2005-07-26				dwg no	
				enr		ALEX BABU		2005-07-26				sheet 1 of 1	
				chr		ALEX BABU		2008-12-20				size	
				appd		ALEX BABU		2008-12-20				A3	
sheet index		revision sheet		B		1						type	
												Product Customer Drawing	