

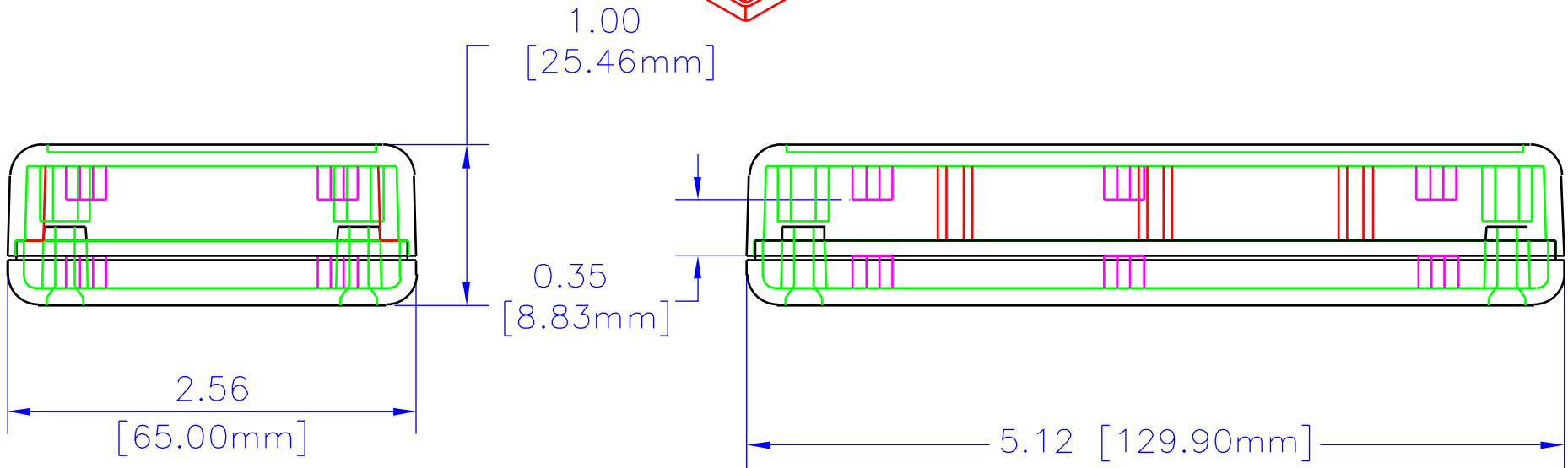
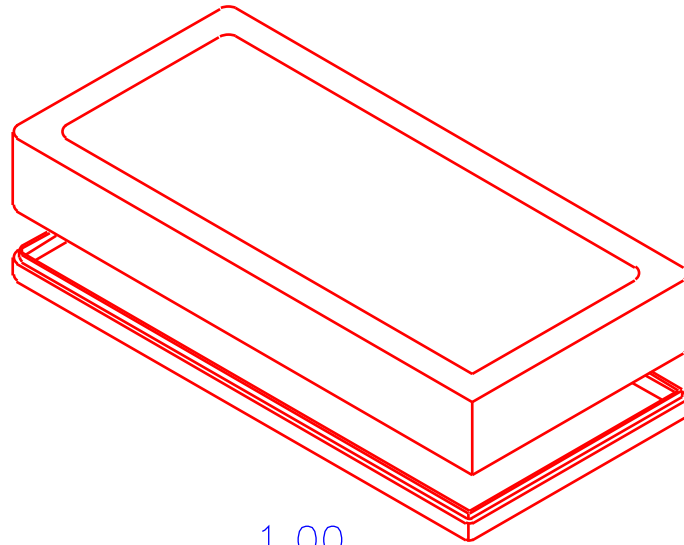
| REV | DESCRIPTION | DATE |
|-----|-------------|------|
| | | |
| | | |
| | | |
| | | |

NOTES

MATERIAL (ABS) FLAME RETARDANT UL94 VO MATERIAL WITH BRASS INSERTS IN CORNER POSTS,
(STYRENE) IS NON-FLAME RETARDANT WITHOUT BRASS INSERTS.

PARTS (ABS) VERSION MACHINE SCREWS M3-0,5 x 28mm,
REPLACEMENT PN 1599HMS100 (100 / BAG), (STYRENE)
VERSION SELF TAPPING #4 x 1,3125",
REPLACEMENT PN 1599HTS100 (100 / BAG).

COLORS (ABS) BLACK, & GRAY, (STYRENE) GRAY ONLY.



ASSEMBLED

UNLESS OTHERWISE SPECIFIED
DIMENSIONS ARE IN INCHES.
X +/- .1
XX +/- .02
XXX +/- .015
SLITS +/- .005
ANGLES +/- .5 DEG.
INCLUDE:
HAMDONS LEAVES PROPRIETARY RIGHTS TO
THE MATERIAL ON THIS DRAWING. IT IS
INTENDED TO BE USED AS A REFERENCE FOR
ENGINEERING INFORMATION ONLY. THIS
INFORMATION MAY NOT BE USED TO
MANUFACTURE PRODUCTS WITHOUT WRITTEN
PERMISSION FROM HAMMOND MANUFACTURING.

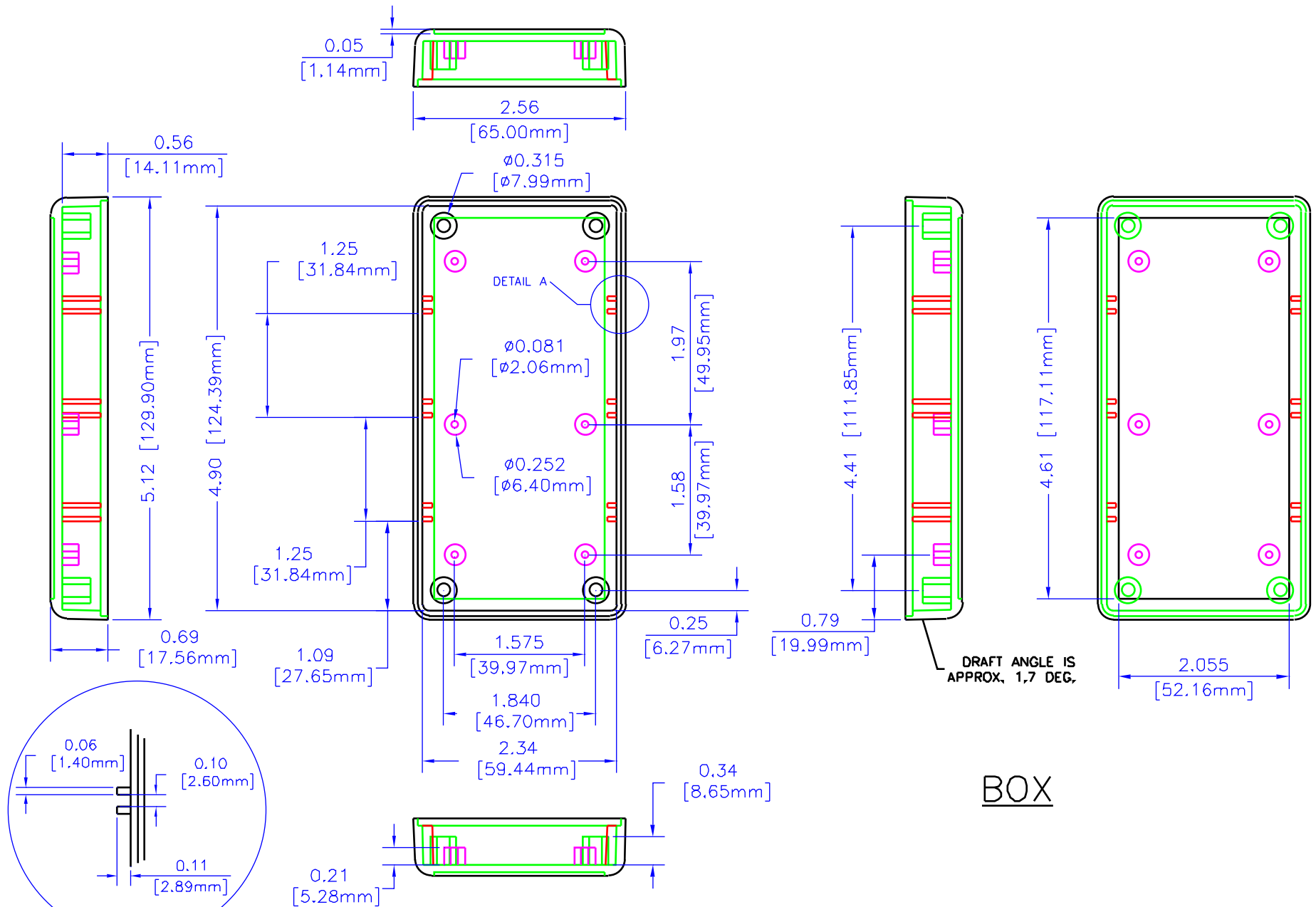


**HAMMOND
MANUFACTURING**

WEB: WWW.HAMMONDMFG.COM

TITLE HAMMOND 1599 SERIES
PLASTIC ENCLOSURE
DRAWN BY MJM DATE 07/30/01
SCALE PAGE 1 OF 3
PART NUMBER 1599B

NOTES



BOX

UNLESS OTHERWISE SPECIFIED
DIMENSIONS ARE IN INCHES.
X +/- .1
XX +/- .02
XXX +/- .015
SLITS +/- .005
ANGLES +/- .5 DEG.
INCLUDE:
HAMMOND MANUFACTURING PROPRIETARY RIGHTS TO THE MATERIAL ON THIS DRAWING IS RESERVED. IT IS INTENDED TO BE USED AS A REFERENCE FOR ENGINEERING INFORMATION ONLY. THE INFORMATION MAY NOT BE USED TO MANUFACTURE PRODUCT WITHOUT WRITTEN PERMISSION FROM HAMMOND MANUFACTURING.

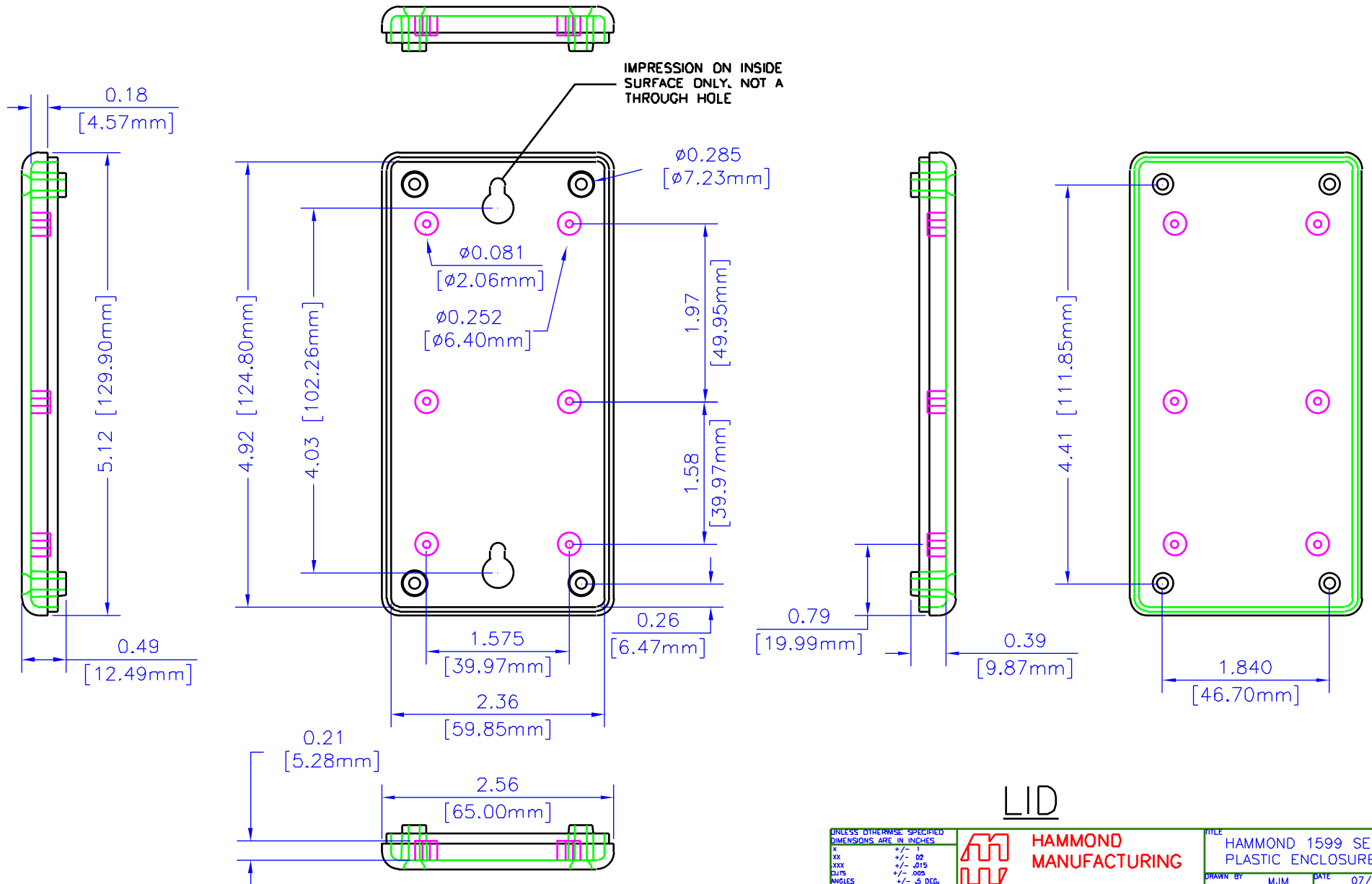


**HAMMOND
MANUFACTURING**

WEB: WWW.HAMMONDMFG.COM

| | | | |
|-------------|-------|--|----------|
| TITLE | | HAMMOND 1599 SERIES PLASTIC ENCLOSURE | |
| DRAWN BY | MJM | DATE | 07/30/01 |
| SCALE | | PAGE | 2 OF 3 |
| PART NUMBER | 1599B | | |

NOTES



LID

UNLESS OTHERWISE SPECIFIED
DIMENSIONS ARE IN INCHES.
X +/- .1
XX +/- .02
XXX +/- .015
SLITS +/- .005
ANGLES +/- .5 DEG.
INCLUDE:
HAMMOND MANUFACTURING PROPRIETARY RIGHTS TO
THE MATERIAL ON THIS DRAWING IS
RESERVED. IT IS TO BE USED AS A REFERENCE FOR
ENGINEERING INFORMATION ONLY. THE
INFORMATION MAY NOT BE USED TO
MANUFACTURE PRODUCT WITHOUT WRITTEN
PERMISSION FROM HAMMOND MANUFACTURING.



**HAMMOND
MANUFACTURING**

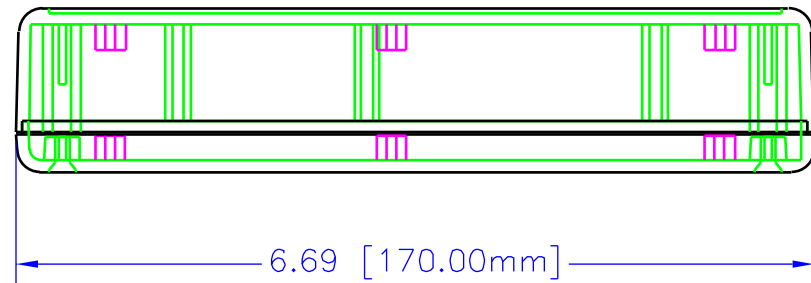
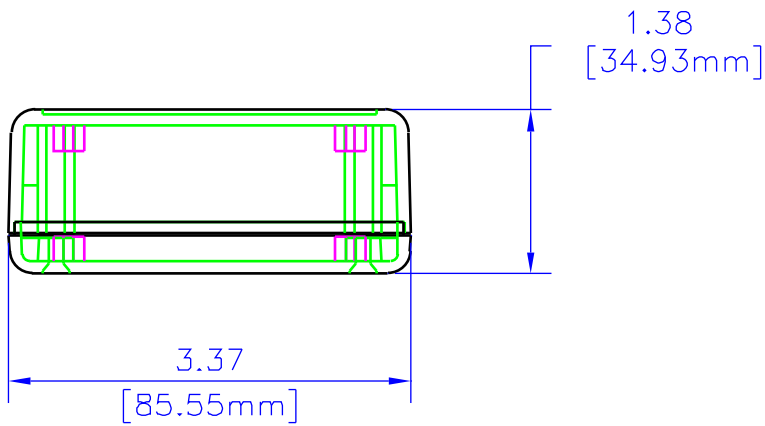
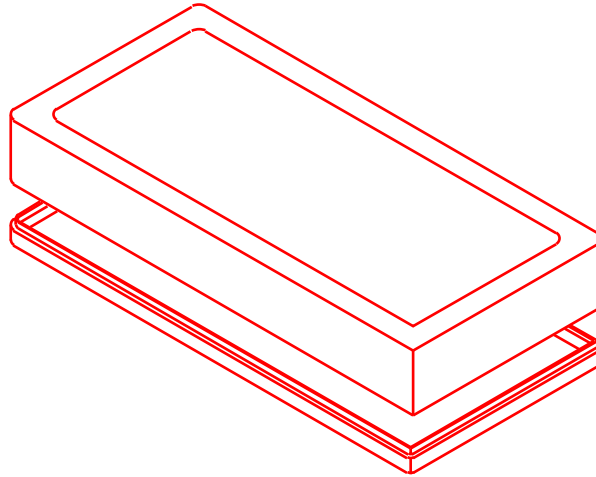
WEB: WWW.HAMMONDMFG.COM

| | | | |
|-------------|-------|--|----------|
| TITLE | | HAMMOND 1599 SERIES PLASTIC ENCLOSURE | |
| DRAWN BY | MJM | DATE | 07/30/01 |
| SCALE | | PAGE | 3 OF 3 |
| PART NUMBER | 1599B | | |

| REV | DESCRIPTION | DATE |
|-----|-------------|------|
| | | |
| | | |
| | | |
| | | |

NOTES

- MATERIAL** (ABS) FLAME RETARDANT UL94 VO MATERIAL WITH BRASS INSERTS IN CORNER POSTS.
(STYRENE) IS NON-FLAME RETARDANT WITHOUT BRASS INSERTS.
- PARTS** (ABS) VERSION MACHINE SCREWS M3-0.5 x 10mm.
REPLACEMENT PN 1591MS100 (100 / BAG). (STYRENE) VERSION SELF TAPPING #4 x 0.5".
REPLACEMENT PN 1591TS100 (100 / BAG).
- COLORS** (ABS) BLACK, & GRAY, (STYRENE) GRAY ONLY.



ASSEMBLED

UNLESS OTHERWISE SPECIFIED
DIMENSIONS ARE IN INCHES.

X +/- .1
XX +/- .02
XXX +/- .015
CHITS +/- .005
ANGLES +/- .5 DEG

NOTICE
HAMMOND CLAIMS PROPRIETARY RIGHTS TO THE MATERIAL ON THIS DRAWING. IT IS INTENDED TO BE USED AS A REFERENCE FOR ENGINEERING INFORMATION ONLY. THIS INFORMATION MAY NOT BE USED TO MANUFACTURE PRODUCTS WITHOUT WRITTEN PERMISSION FROM HAMMOND MANUFACTURING.



**HAMMOND
MANUFACTURING**

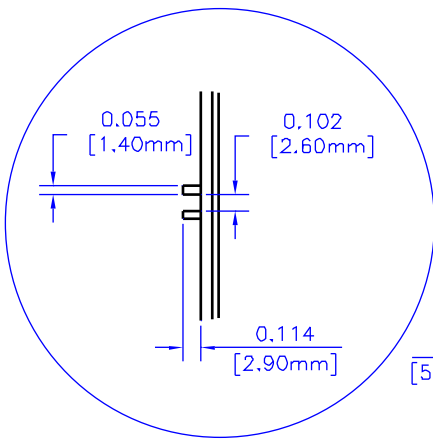
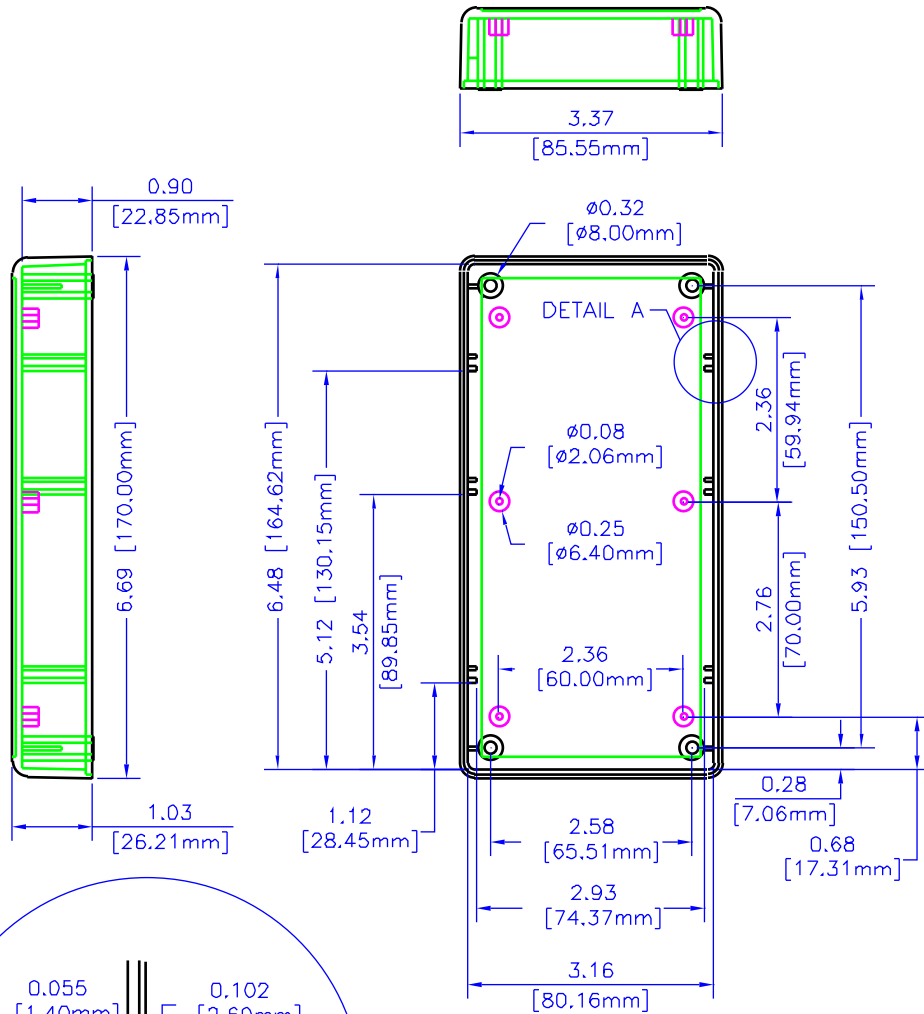
WEB: WWW.HAMMONDMFG.COM

TITLE
HAMMOND 1599 SERIES
PLASTIC ENCLOSURE

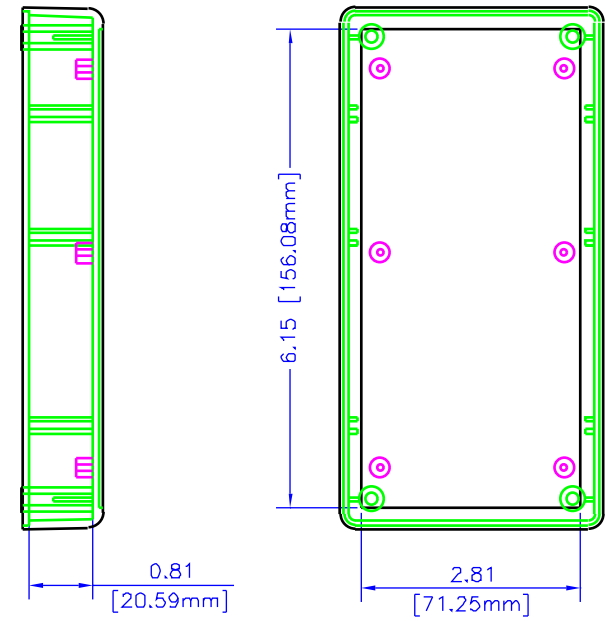
DRAWN BY MJM DATE 08/16/01

SCALE PAGE 1 OF 3

PART NUMBER
1599E



DETAIL A



BOX

UNLESS OTHERWISE SPECIFIED
DIMENSIONS ARE IN INCHES
X +/- .1
XX +/- .03
XXX +/- .015
CLIPS +/- .005
ANGLES +/- 5 DEG

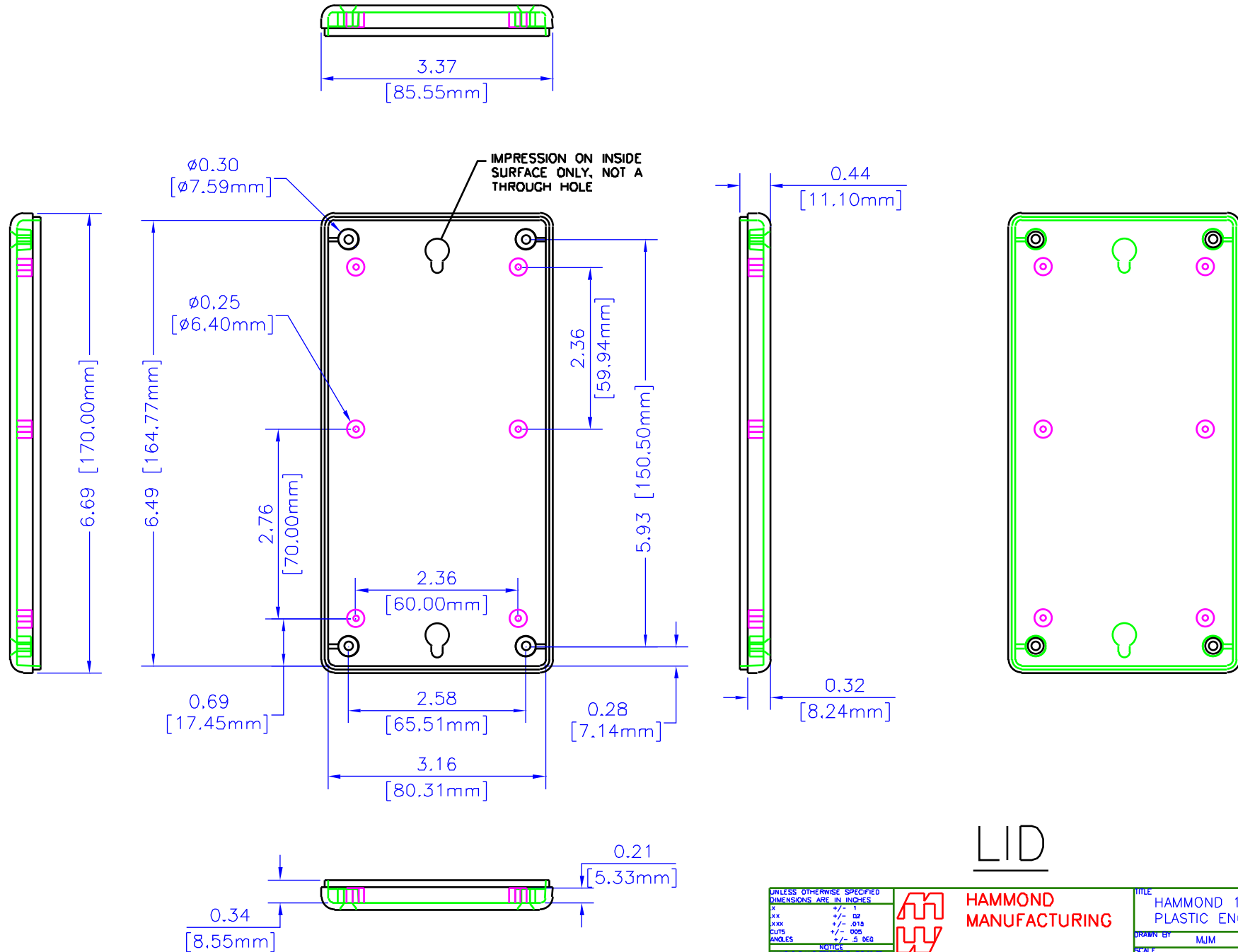


**HAMMOND
MANUFACTURING**

WEB: WWW.HAMMONDMFG.COM

| | | | |
|-------------|-----|--|----------|
| TITLE | | HAMMOND 1599 SERIES PLASTIC ENCLOSURE | |
| DRAWN BY | MJM | DATE | 08/16/01 |
| SCALE | | PAGE | 2 OF 3 |
| PART NUMBER | | 1599E | |

NOTES



LID

UNLESS OTHERWISE SPECIFIED
DIMENSIONS ARE IN INCHES
X +/- .1
XX +/- .05
XXX +/- .015
CUTS +/- .005
ANGLES +/- .5 DEG

TOLERANCES
HAMMOND CLAIMS PROPRIETARY RIGHTS TO THE MATERIALS IN THIS DRAWING. IT IS INTENDED TO BE USED AS A REFERENCE FOR ENGINEERING APPROVED ONLY. THIS INFORMATION MAY NOT BE USED TO MANUFACTURE PRODUCTS WITHOUT WRITTEN PERMISSION FROM HAMMOND MANUFACTURING.

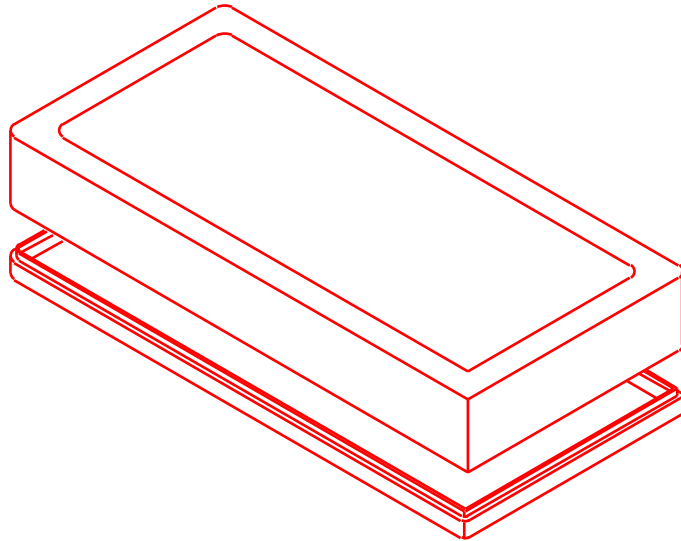


**HAMMOND
MANUFACTURING**

WEB: WWW.HAMMONDMFG.COM

| | | | |
|-------------|-------|--|----------|
| TITLE | | HAMMOND 1599 SERIES PLASTIC ENCLOSURE | |
| DRAWN BY | MJM | DATE | 08/16/01 |
| SCALE | | PAGE | 3 OF 3 |
| PART NUMBER | 1599E | | |

| REV | DESCRIPTION | DATE |
|-----|-------------|------|
| | | |
| | | |
| | | |
| | | |
| | | |

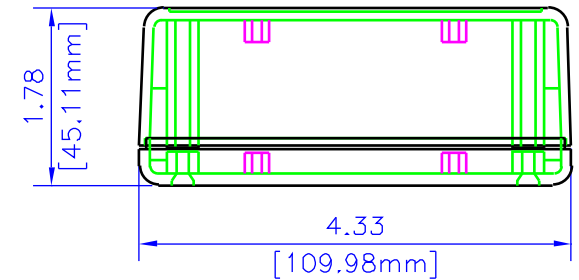
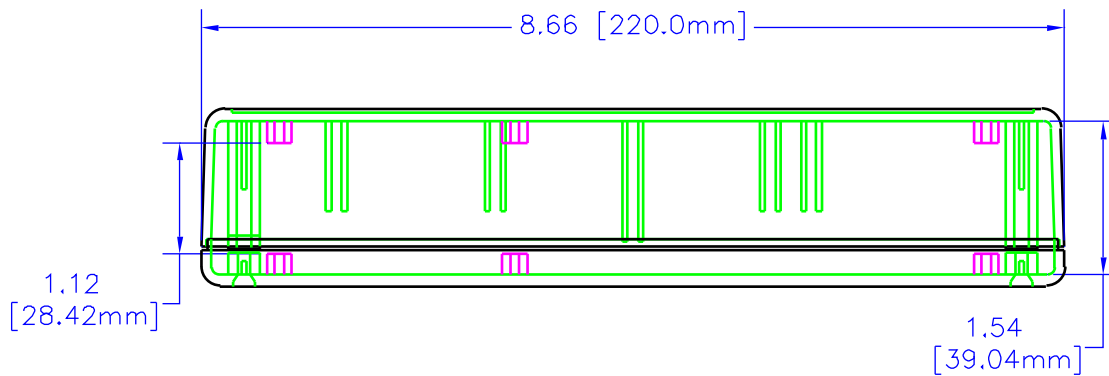


NOTES

MATERIAL (ABS) FLAME RETARDANT UL94 V0 MATERIAL WITH BRASS INSERTS IN CORNER POSTS, (STYRENE) IS NON-FLAME RETARDANT WITHOUT BRASS INSERTS.

PARTS (ABS) VERSION MACHINE SCREWS M3-0.5 x 10mm, REPLACEMENT PN 1591MS100 (100 / BAG), (STYRENE) VERSION SELF TAPPING #4 x 0.5", REPLACEMENT PN 1591TS100 (100 / BAG).

COLORS (ABS) BLACK, & GRAY, (STYRENE) GRAY ONLY,



ASSEMBLED

UNLESS OTHERWISE SPECIFIED
DIMENSIONS ARE IN INCHES

X +/- .1

XX +/- .02

XXX +/- .015

CUTS +/- .005

ANGLES +/- .5 DEG.

NOTES:
HAMMOND CLAIMS PROPRIETARY RIGHTS TO THE MATERIAL ON THIS DRAWING. IT IS INTENDED TO BE USED AS A REFERENCE FOR ENGINEERING INFORMATION ONLY. THIS INFORMATION MAY NOT BE USED TO MANUFACTURE PRODUCT WITHOUT WRITTEN PERMISSION FROM HAMMOND MANUFACTURING.



**HAMMOND
MANUFACTURING**

WEB: WWW.HAMMONDMFG.COM

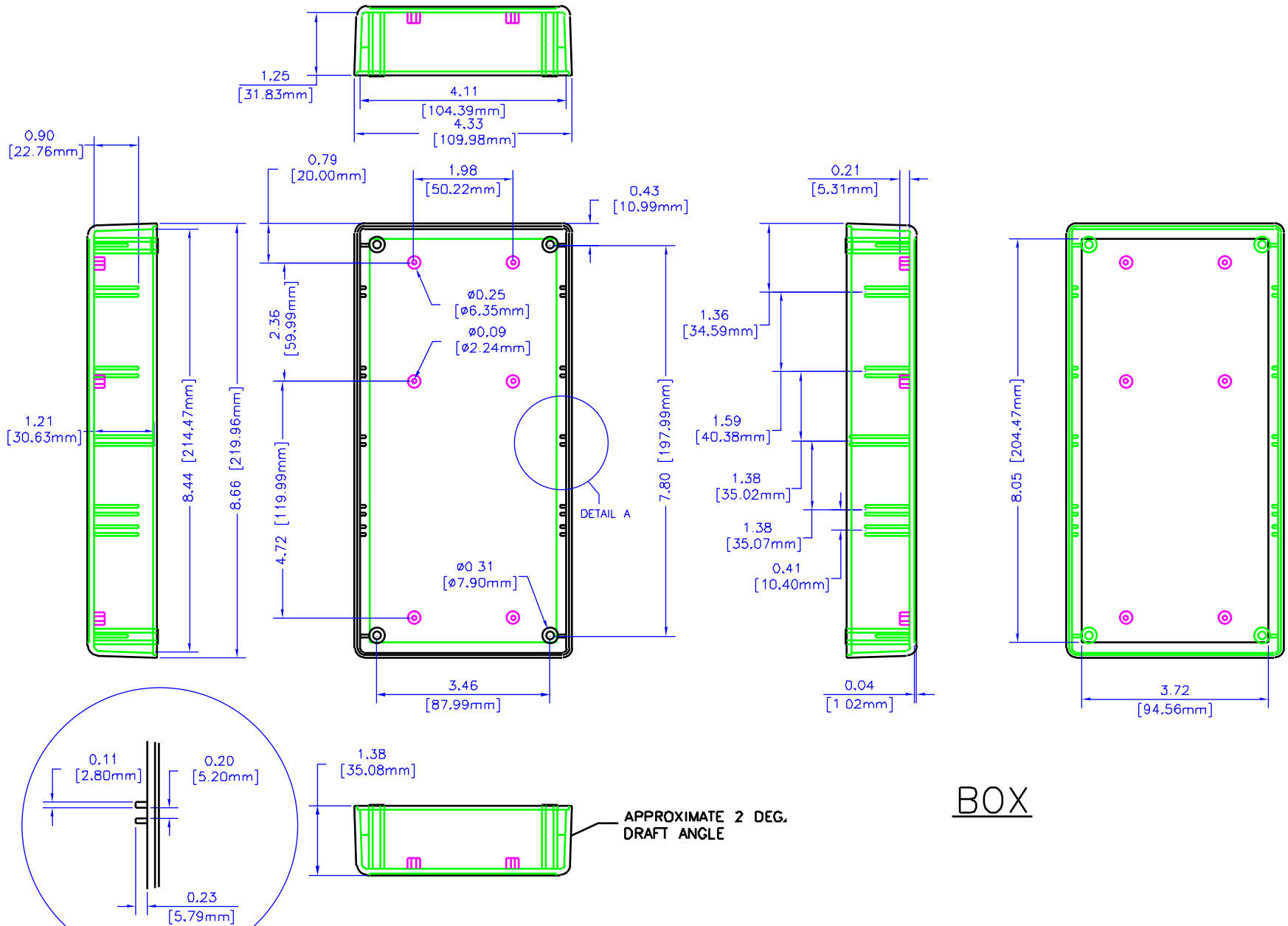
TITLE
HAMMOND 1599 SERIES
PLASTIC ENCLOSURE

DRAWN BY MJM DATE 07/06/01

SCALE PAGE 1 OF 3

PART NUMBER
1599H

NOTES



BOX

DETAIL A

UNLESS OTHERWISE SPECIFIED
DIMENSIONS ARE IN INCHES
X +/- .1
XX +/- .02
XXX +/- .015
CUTS +/- .005
ANGLES +/- .5 deg
NOTES
HAMMOND MAKES NO WARRANTY AS TO THE MATERIAL OR THE DRAWING. IT IS INTENDED TO BE USED AS A REFERENCE FOR CHECKING INFORMATION ONLY. THIS INFORMATION MAY NOT BE USED TO MANUFACTURE PRODUCT WITHOUT WRITTEN PERMISSION FROM HAMMOND MANUFACTURING.

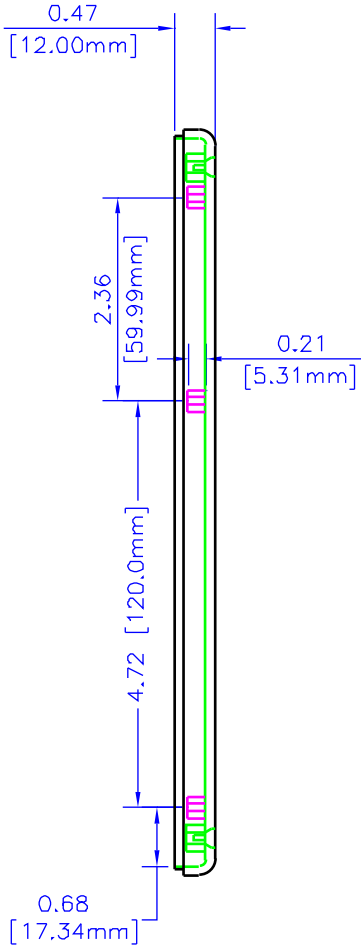
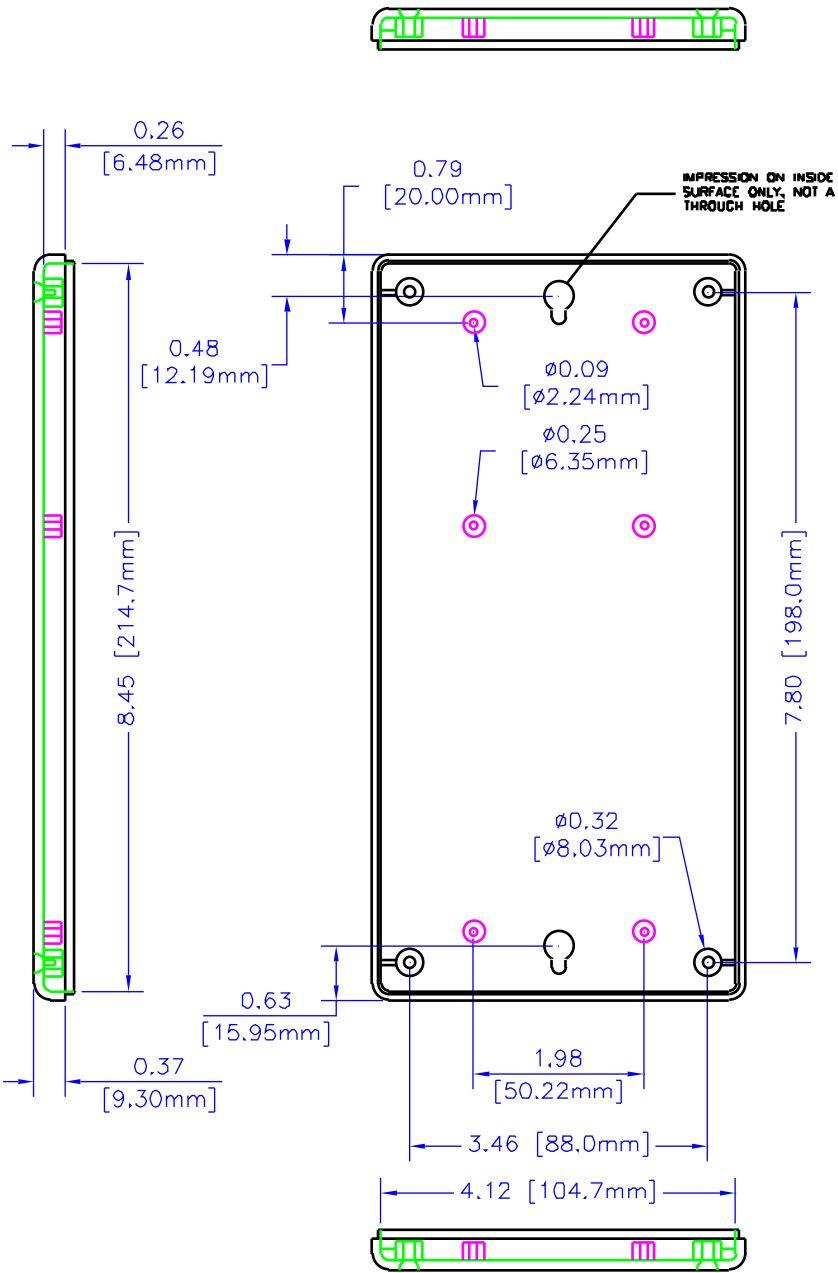


**HAMMOND
MANUFACTURING**

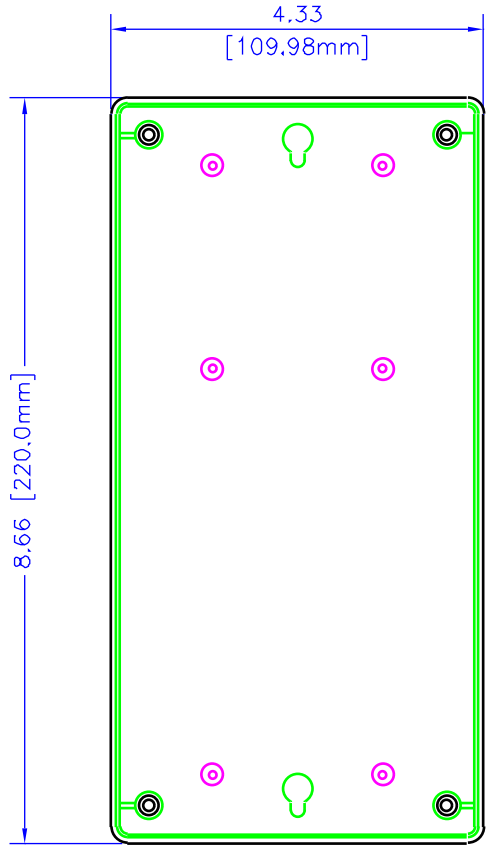
WEB: WWW.HAMMONDMFG.COM

| | |
|---|------------------|
| TITLE HAMMOND 1599 SERIES PLASTIC ENCLOSURE | |
| DRAWN BY MJM | DATE 07/06/01 |
| SCALE | PAGE 2 OF 3 |
| PART NUMBER 1599H | |

NOTES



LID



UNLESS OTHERWISE SPECIFIED DIMENSIONS ARE IN INCHES
 X +/- .1
 XX +/- .02
 XXX +/- .015
 CUTS +/- .005
 ANGLES +/- .5 DEG.

NOTICE
 HAMMOND OWNS PROPRIETARY RIGHTS TO THE MATERIAL ON THIS DRAWING. IT IS INTENDED TO BE USED AS A REFERENCE FOR ENGINEERING INFORMATION ONLY. THIS INFORMATION MAY NOT BE USED TO MANUFACTURE PRODUCT WITHOUT WRITTEN PERMISSION FROM HAMMOND MANUFACTURING.



WEB: WWW.HAMMONDMFG.COM

| | | | |
|-------------|-----|---------------------------------------|----------|
| FILE | | HAMMOND 1599 SERIES PLASTIC ENCLOSURE | |
| DRAWN BY | MJM | DATE | 07/06/01 |
| SCALE | | PAGE | 3 OF 3 |
| PART NUMBER | | 1599H | |

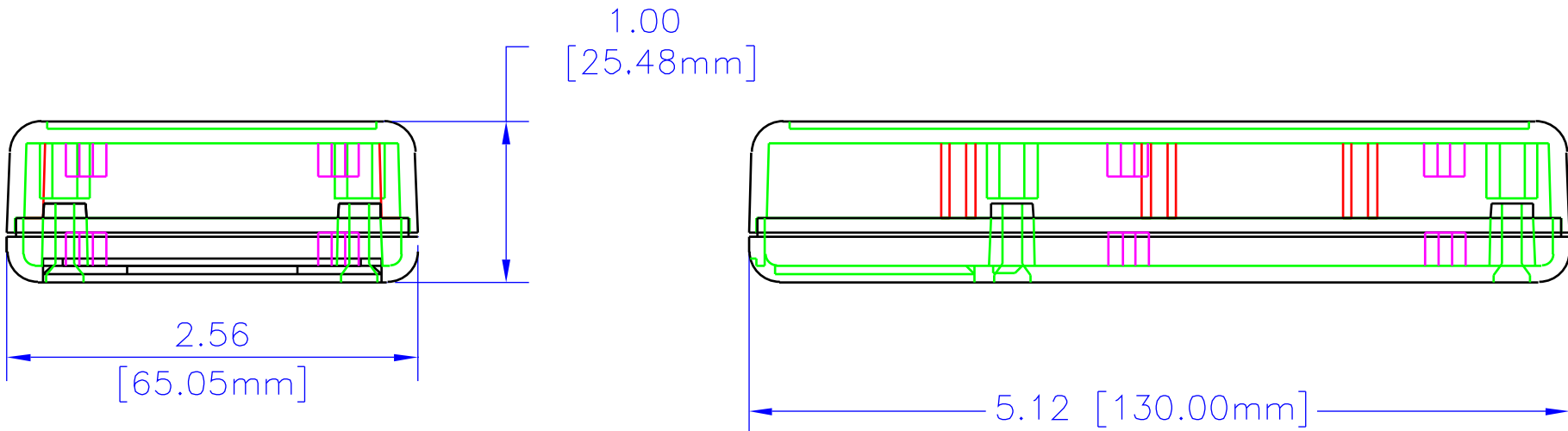
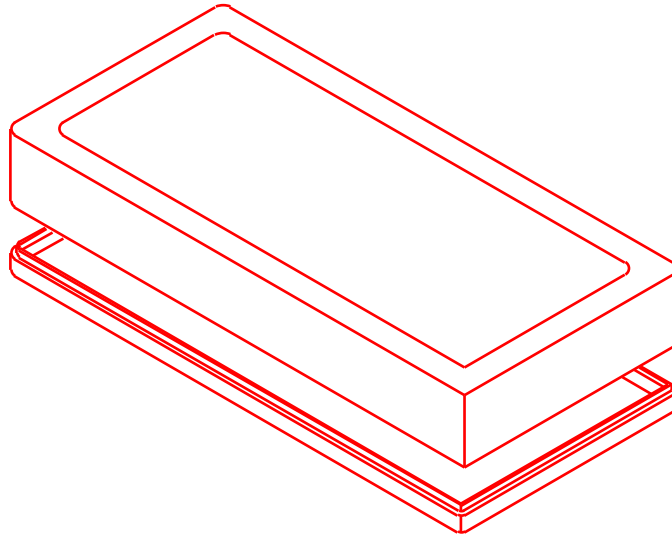
| REV | DESCRIPTION | DATE |
|-----|-------------|------|
| | | |
| | | |
| | | |
| | | |

NOTES

MATERIAL (ABS) FLAME RETARDANT UL94 VO MATERIAL WITH BRASS INSERTS IN CORNER POSTS, (STYRENE) IS NON-FLAME RETARDANT WITHOUT BRASS INSERTS,

PARTS (ABS) VERSION MACHINE SCREWS M3-0.5 x 28mm, REPLACEMENT PN 1599HMS100 (100 / BAG), (STYRENE) VERSION SELF TAPPING #4 x 1.3125", REPLACEMENT PN 1599HTS100 (100 / BAG),

COLORS (ABS) BLACK, & GRAY, (STYRENE) GRAY ONLY,



ASSEMBLED

UNLESS OTHERWISE SPECIFIED
DIMENSIONS ARE IN INCHES
X +/- .1
XX +/- .02
XXX +/- .015
DITS +/- .005
ANGLES +/- .5 DEG.
NOTES
HAMMOND CLAIMS PROPRIETARY RIGHTS TO THE MATERIAL ON THIS DRAWING. IT IS INTENDED TO BE USED AS A REFERENCE FOR REORDERING INFORMATION ONLY. THIS INFORMATION MAY NOT BE USED TO MANUFACTURE PRODUCTS WITHOUT WRITTEN PERMISSION FROM HAMMOND MANUFACTURING.

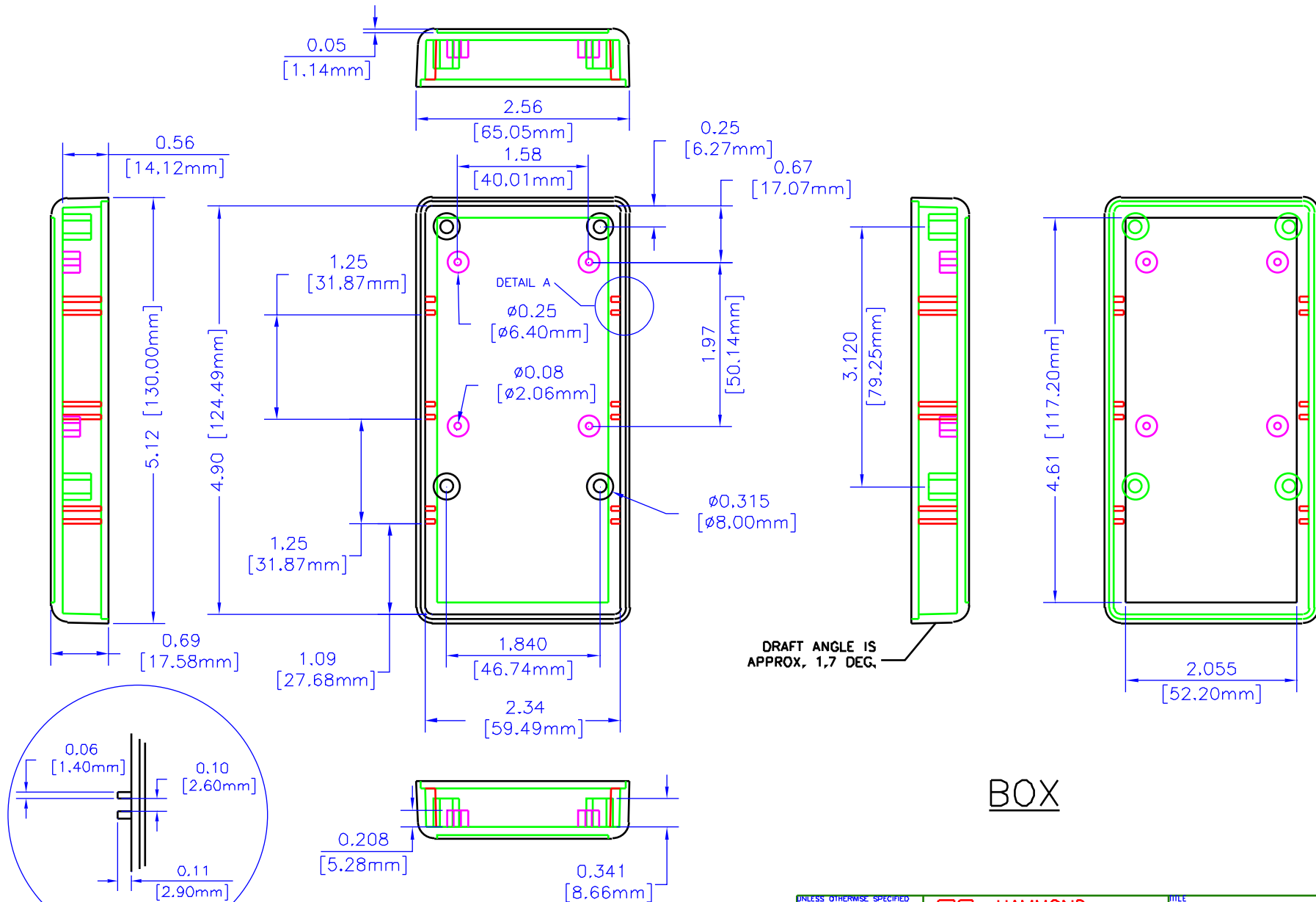


**HAMMOND
MANUFACTURING**

WEB: WWW.HAMMONDMFG.COM

TITLE
HAMMOND 1599 SERIES
PLASTIC ENCLOSURE
DRAWN BY MJM DATE 07/30/01
SCALE PAGE 1 OF 3
PART NUMBER
1599BBAT

NOTES



BOX

DETAIL A

UNLESS OTHERWISE SPECIFIED
DIMENSIONS ARE IN INCHES
X +/- .1
XX +/- .02
XXX +/- .016
SLITS +/- .005
ANGLES +/- .5 DEG.

NOTICE
HAMMOND MANUFACTURING HAS RESERVED ALL RIGHTS TO THE MATERIAL OF THIS DRAWING. IT IS INTENDED TO BE USED AS A REFERENCE FOR ENGINEERING INFORMATION ONLY. THIS INFORMATION MAY NOT BE USED TO MANUFACTURE PRODUCTS WITHOUT WRITTEN PERMISSION FROM HAMMOND MANUFACTURING.



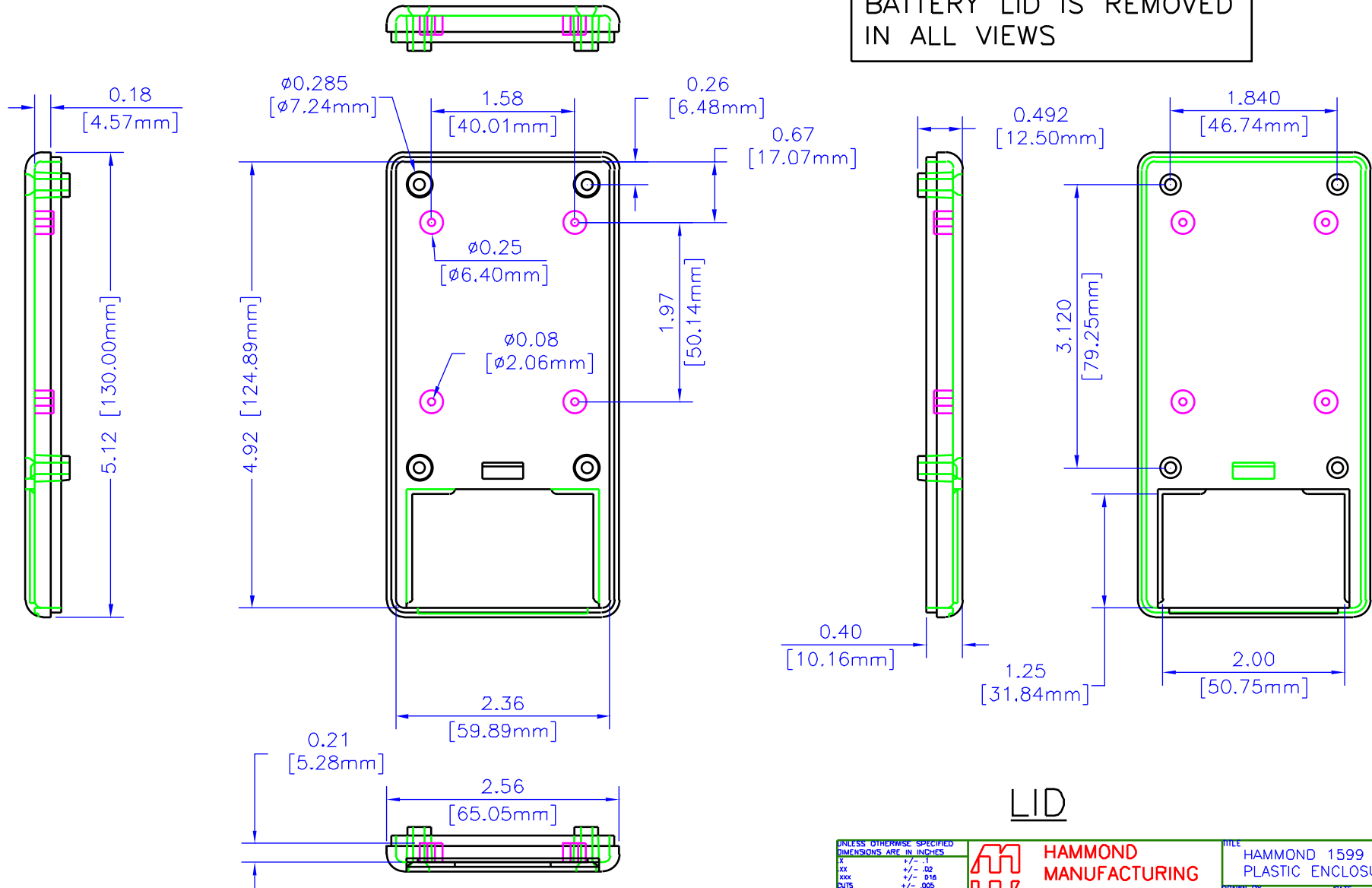
**HAMMOND
MANUFACTURING**

WEB: WWW.HAMMONDMFG.COM

| | | | |
|-------------|----------|--|----------|
| TITLE | | HAMMOND 1599 SERIES PLASTIC ENCLOSURE | |
| DRAWN BY | MJM | DATE | 07/30/01 |
| SCALE | | PAGE | 2 OF 3 |
| PART NUMBER | 1599BBAT | | |

NOTES

BATTERY LID IS REMOVED
IN ALL VIEWS



LID

UNLESS OTHERWISE SPECIFIED
DIMENSIONS ARE IN INCHES
XX +/- .1
XXX +/- .02
XXXX +/- .015
DITS +/- .005
ANGLES +/- .5 DEG.



**HAMMOND
MANUFACTURING**

WEB: WWW.HAMMONDMFG.COM

| | | | |
|-------------|-----|--|----------|
| TITLE | | HAMMOND 1599 SERIES PLASTIC ENCLOSURE | |
| DRAWN BY | MJM | DATE | 07/30/01 |
| SCALE | | PAGE | 3 OF 3 |
| PART NUMBER | | 1599BBAT | |

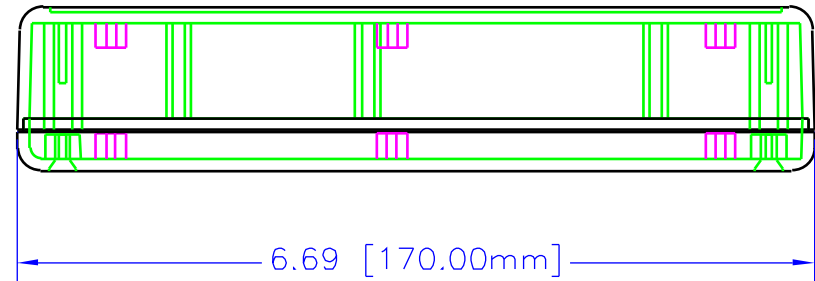
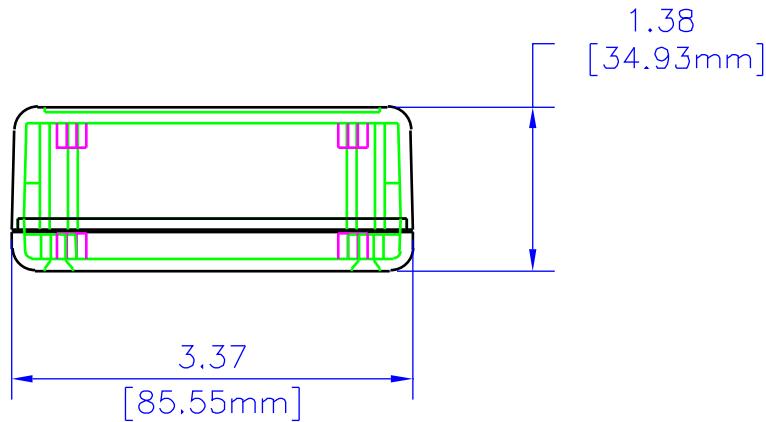
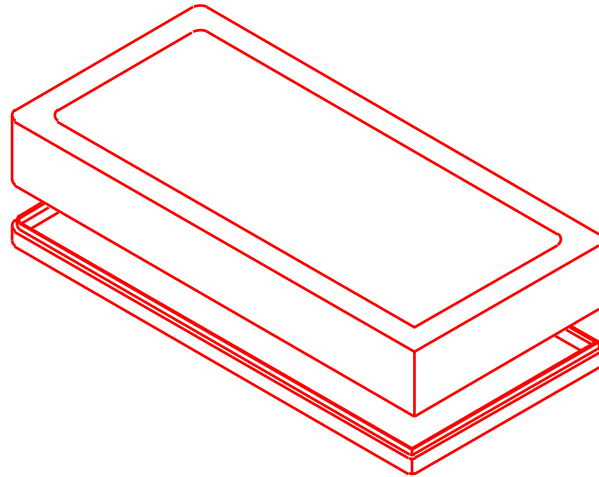
| REV | DESCRIPTION | DATE |
|-----|-------------|------|
| | | |
| | | |
| | | |
| | | |

NOTES

MATERIAL (ABS) FLAME RETARDANT UL94 VO MATERIAL WITH BRASS INSERTS IN CORNER POSTS.
(STYRENE) IS NON-FLAME RETARDANT WITHOUT BRASS INSERTS.

PARTS (ABS) VERSION MACHINE SCREWS M3-0.5 x 10mm.
REPLACEMENT PN 1591MS100 (100 / BAG). (STYRENE)
VERSION SELF TAPPING #4 x 0.5",
REPLACEMENT PN 1591TS100 (100 / BAG).

COLORS (ABS) BLACK, & GRAY, (STYRENE) GRAY ONLY.



ASSEMBLED

UNLESS OTHERWISE SPECIFIED
DIMENSIONS ARE IN INCHES

F +/- .1
XX +/- .02
XXX +/- .010
DITS +/- .005
ANGLES +/- .5 DEG

NOTICE
HAMMOND CLAIMS PROPRIETARY RIGHTS TO
THE MATERIAL ON THIS DRAWING. IT IS
INTENDED TO BE USED AS A REFERENCE FOR
ENGINEERING INFORMATION ONLY. THIS
INFORMATION MAY NOT BE USED TO
MANUFACTURE PRODUCT WITHOUT WRITER
PERMISSION FROM HAMMOND MANUFACTURING.



**HAMMOND
MANUFACTURING**

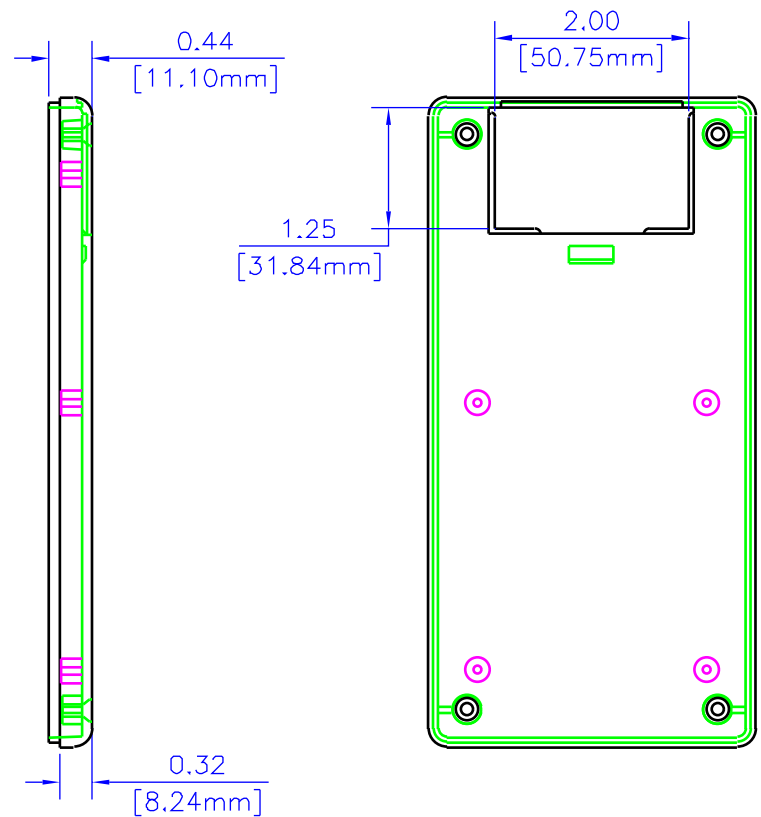
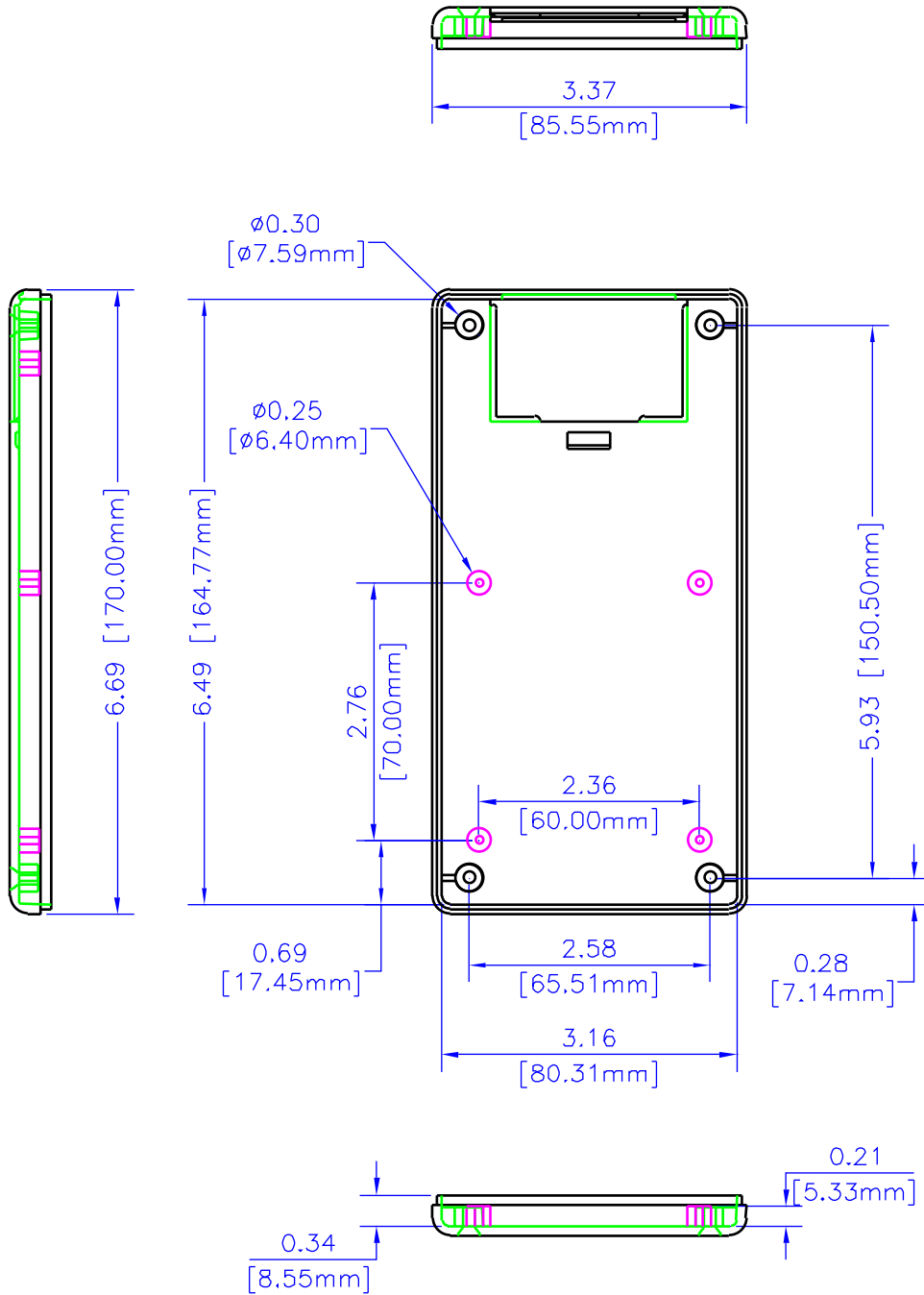
WEB: WWW.HAMMONDMFG.COM

TITLE
**HAMMOND 1599 SERIES
PLASTIC ENCLOSURE**

DRAWN BY MJM DATE 08/16/01
SCALE PAGE 1 OF 3
PART NUMBER
1599EBAT

NOTES

BATTERY LID IS REMOVED
IN ALL VIEWS



LID

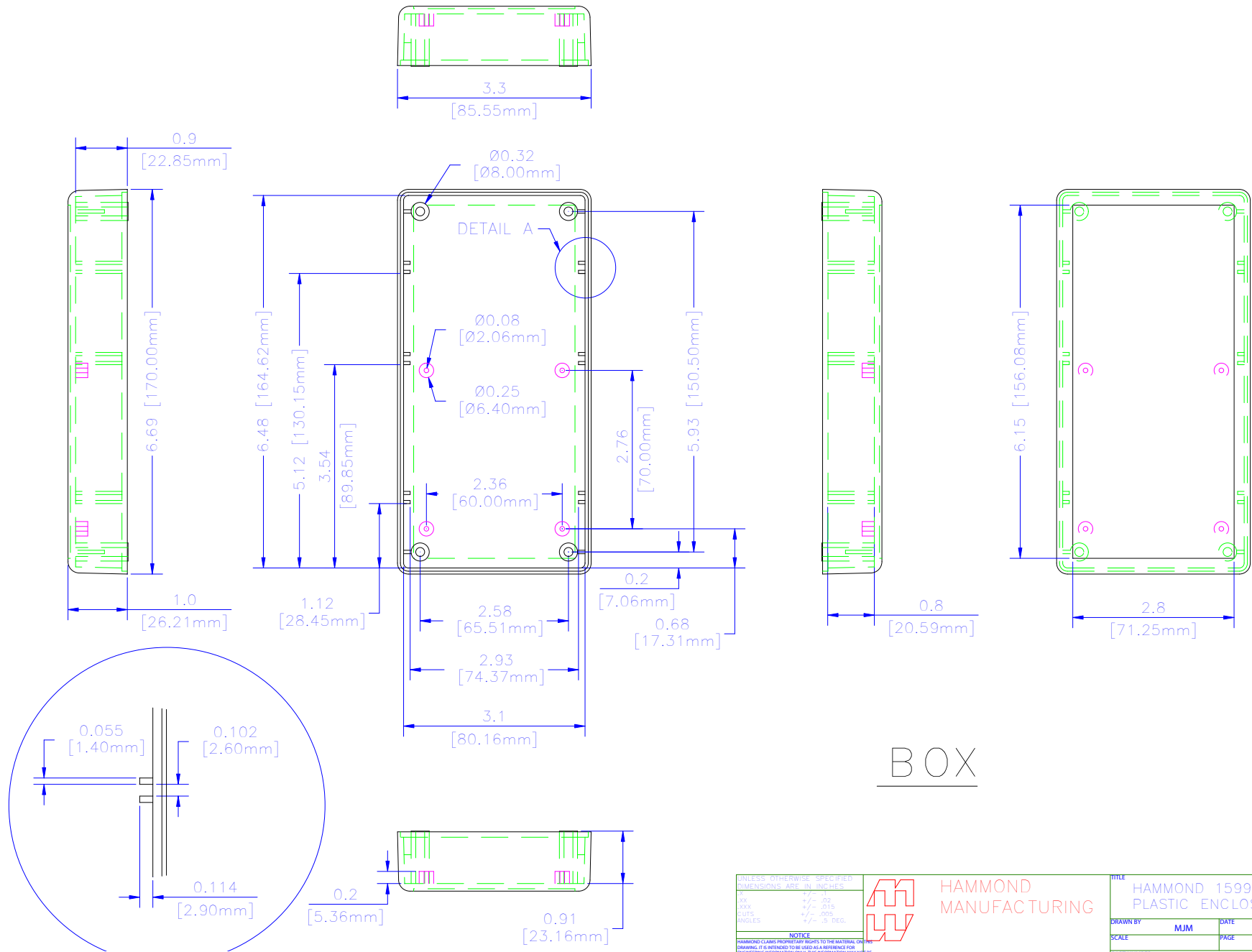
UNLESS OTHERWISE SPECIFIED
DIMENSIONS ARE IN INCHES
F -1/2 -1
XX +/- .02
XXX +/- .010
DITS +/- .005
ANGLES +/- .5 DEG
TOLERANCES
HAMMOND GRANTS PROPRIETARY RIGHTS TO
THE MATERIAL ON THIS DRAWING. IT IS
INTENDED TO BE USED AS A REFERENCE FOR
ENGINEERING INFORMATION ONLY. THIS
INFORMATION MAY NOT BE USED TO
MANUFACTURE PRODUCT WITHOUT WRITTEN
PERMISSION FROM HAMMOND MANUFACTURING.



**HAMMOND
MANUFACTURING**

WEB: WWW.HAMMONDMFG.COM

| | | | |
|-------------|-----|--|----------|
| TITLE | | HAMMOND 1599 SERIES PLASTIC ENCLOSURE | |
| DRAWN BY | MJM | DATE | 08/16/01 |
| SCALE | | PAGE | 5 OF 3 |
| PART NUMBER | | 1599EBAT | |



BOX

UNLESS OTHERWISE SPECIFIED
DIMENSIONS ARE IN INCHES
XX .01
XXX .015
SUITS .005
ANGLES ± .5 DEG.

NOTICE
HAMMOND CLAIMS PROPRIETARY RIGHTS TO THE MATERIAL OR DRAWING. IT IS INTENDED TO BE USED AS A REFERENCE FOR ENGINEERING INFORMATION ONLY. THE INFORMATION MAY NOT BE USED TO MANUFACTURE PRODUCTS WITHOUT WRITTEN PERMISSION FROM HAMMOND MANUFACTURING.



HAMMOND
MANUFACTURING

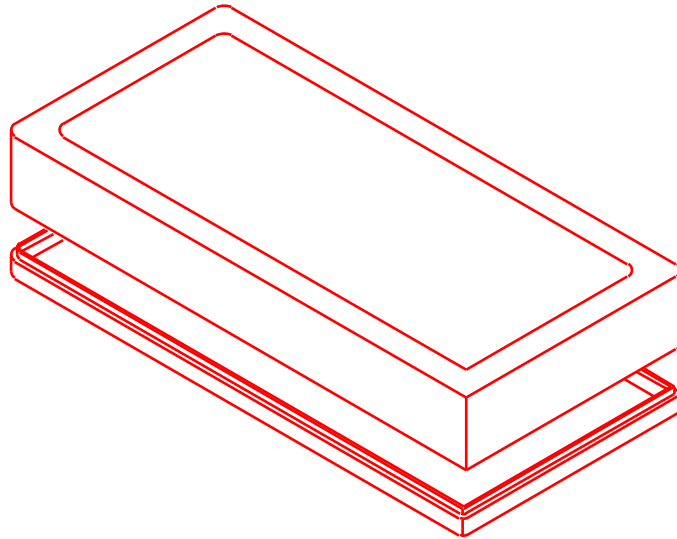
WEB: WWW.HAMMONDMFG.COM

TITLE
HAMMOND 1599 SERIES
PLASTIC ENCLOSURE

DRAWN BY MJM DATE 08/16/01
SCALE PAGE 2 OF 3

PART NUMBER
1599EBAT

| REV | DESCRIPTION | DATE |
|-----|-------------|------|
| | | |
| | | |
| | | |
| | | |

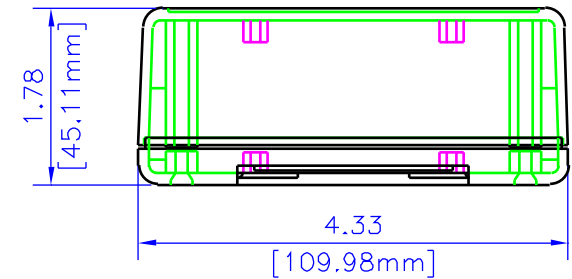
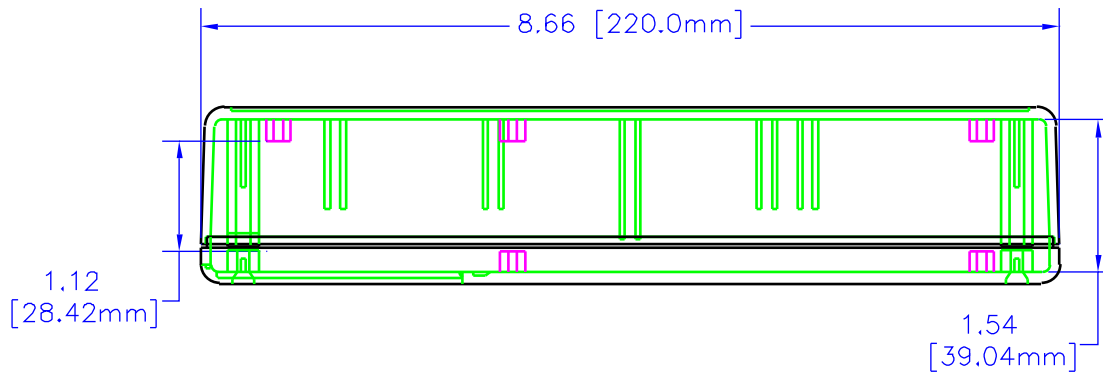


NOTES

MATERIAL (ABS) FLAME RETARDANT UL94 V0 MATERIAL WITH BRASS INSERTS IN CORNER POSTS, (STYRENE) IS NON-FLAME RETARDANT WITHOUT BRASS INSERTS.

PARTS (ABS) VERSION MACHINE SCREWS M3-0.5 x 10mm, REPLACEMENT PN 1591MS100 (100 / BAG), (STYRENE) VERSION SELF TAPPING #4 x 0.5", REPLACEMENT PN 1591TS100 (100 / BAG),

COLORS (ABS) BLACK, & GRAY, (STYRENE) GRAY ONLY,



ASSEMBLED

| |
|--|
| UNLESS OTHERWISE SPECIFIED DIMENSIONS ARE IN INCHES. |
| x +/- .1 |
| xx +/- .02 |
| xxx +/- .015 |
| CUTS +/- .005 |
| ANGLES +/- .5 DEG. |
| NOTES: |
| HAMMOND CLAIMS PROPRIETARY RIGHTS TO THE MATERIAL ON THIS DRAWING, IT IS INTENDED TO BE USED AS A REFERENCE FOR ENGINEERING INFORMATION ONLY. THIS INFORMATION MAY NOT BE USED TO MANUFACTURE PRODUCT WITHOUT WRITTEN PERMISSION FROM HAMMOND MANUFACTURING. |

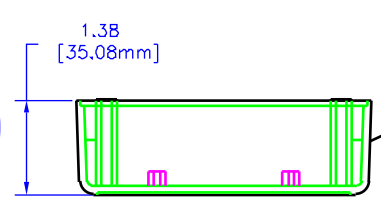
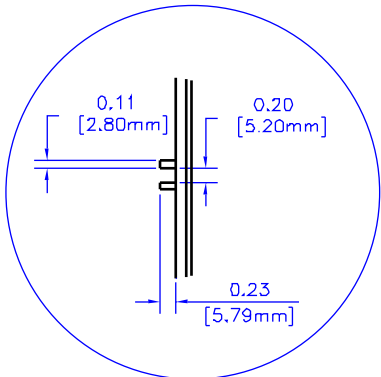
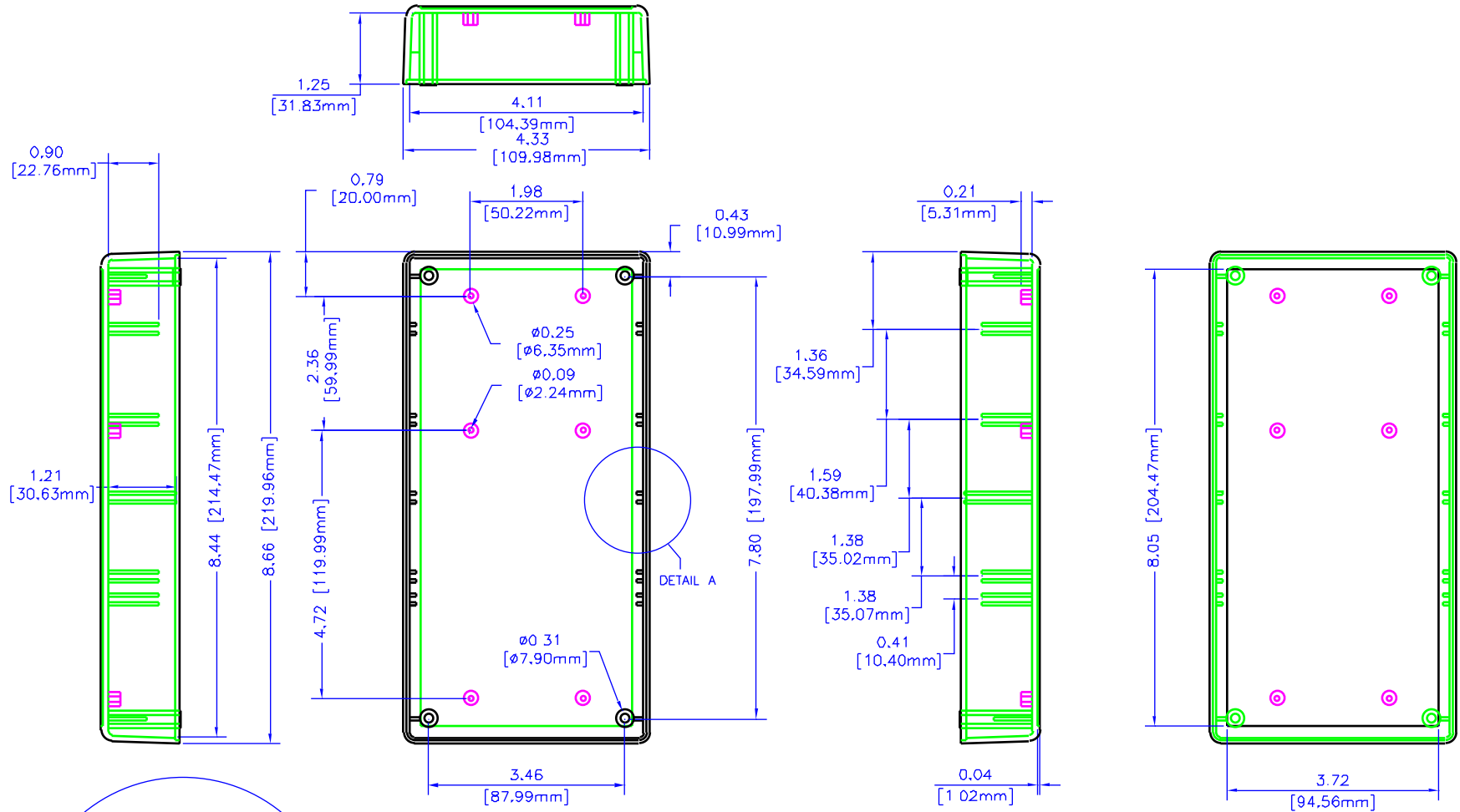


**HAMMOND
MANUFACTURING**

WEB: WWW.HAMMONDMFG.COM

| | |
|--|----------|
| TITLE | |
| HAMMOND 1599 SERIES PLASTIC ENCLOSURE | |
| DRAWN BY | DATE |
| MJM | 07/06/01 |
| SCALE | PAGE |
| | 1 OF 3 |
| PART NUMBER | |
| 1599HBAT | |

NOTES



APPROXIMATE 2 DEG. DRAFT ANGLE

BOX

| | |
|--|-----------|
| UNLESS OTHERWISE SPECIFIED DIMENSIONS ARE IN INCHES | |
| X | +/- .1 |
| XX | +/- .02 |
| XXX | +/- .015 |
| FILLS | +/- .005 |
| ANGLES | +/- 8 DEG |
| NOTES | |
| HAMMOND OWNS PROPRIETARY RIGHTS TO THE MATERIAL ON THIS DRAWING. IT IS INTENDED TO BE USED AS A REFERENCE FOR ENGINEERING INFORMATION ONLY. THIS INFORMATION MAY NOT BE USED TO MANUFACTURE PRODUCT WITHOUT WRITTEN PERMISSION FROM HAMMOND MANUFACTURING. | |



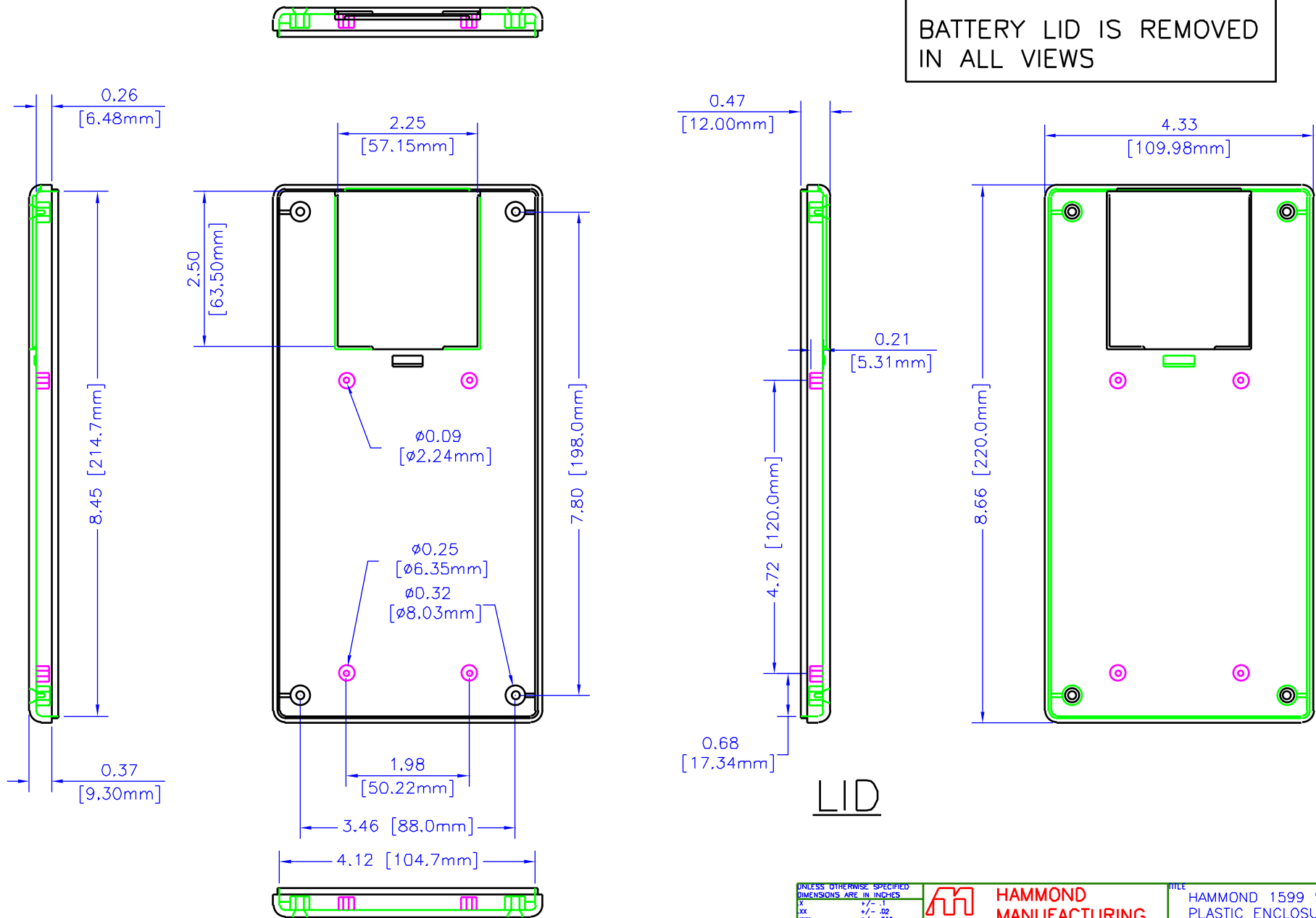
HAMMOND MANUFACTURING

WEB: WWW.HAMMONDMFG.COM

| | | | |
|-------------|-----|---------------------------------------|----------|
| TITLE | | HAMMOND 1599 SERIES PLASTIC ENCLOSURE | |
| DRAWN BY | MJM | DATE | 07/06/01 |
| SCALE | | PAGE | 2 OF 3 |
| PART NUMBER | | 1599HBT | |

NOTES

BATTERY LID IS REMOVED
IN ALL VIEWS



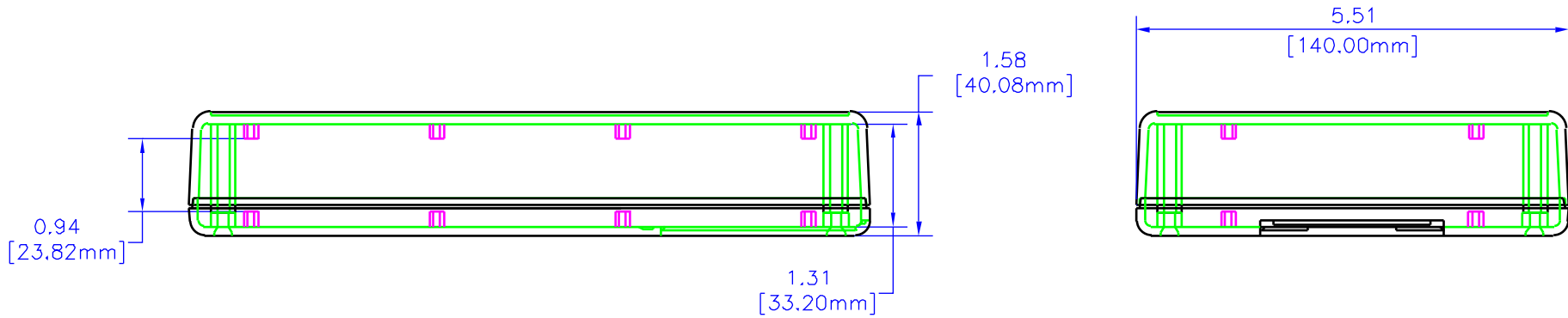
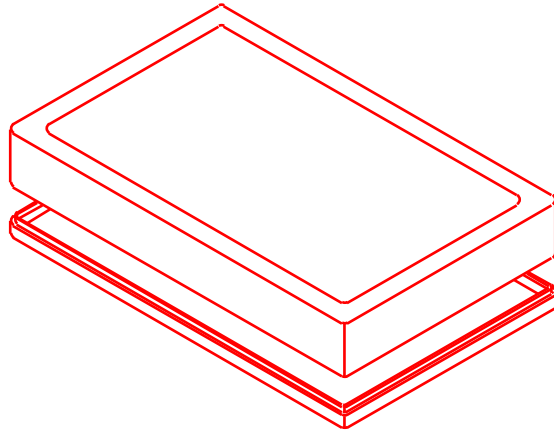
UNLESS OTHERWISE SPECIFIED
DIMENSIONS ARE IN INCHES
XX +/- .1
XXX +/- .02
XXXX +/- .015
DITS +/- .005
ANGLES +/- .5 DEG.
NOTES:
HARDWARE SHALL BE REFERENCED TO THE MATERIAL ON THIS DRAWING. IT IS INTENDED TO BE USED AS A REFERENCE FOR ORDERING INFORMATION ONLY. THE INFORMATION MAY NOT BE USED TO MANUFACTURE PRODUCT WITHOUT WRITTEN PERMISSION FROM HAMMOND MANUFACTURING.



WEB: WWW.HAMMONDMFG.COM

TITLE
HAMMOND 1599 SERIES
PLASTIC ENCLOSURE
DRAWN BY MJM DATE 07/06/01
SCALE PAGE 3 OF 3
PART NUMBER
1599HBAT

| REV | DESCRIPTION | DATE |
|-----|---|----------|
| A | REVISED SIDE HOLE LOCATIONS; ADDED MATERIAL DEPTH DETAIL. | 08/14/01 |
| | | |
| | | |
| | | |



ASSEMBLED

NOTES

- MATERIAL** (ABS) FLAME RETARDANT UL94 V0 MATERIAL WITH BRASS INSERTS IN CORNER POSTS.
(STYRENE) IS NON-FLAME RETARDANT WITHOUT BRASS INSERTS.
- PARTS** (ABS) VERSION MACHINE SCREWS M3-0.5 x 10mm, REPLACEMENT PN 1591MS100 (100 / BAG), (STYRENE) VERSION SELF TAPPING #4 x 0.5", REPLACEMENT PN 1591TS100 (100 / BAG).
- COLORS** (ABS) BLACK, & GRAY, (STYRENE) GRAY ONLY.

UNLESS OTHERWISE SPECIFIED
DIMENSIONS ARE IN INCHES

| | |
|--------|------------|
| F | +/- .1 |
| XX | +/- .02 |
| XXX | +/- .015 |
| DITS | +/- .005 |
| ANGLES | +/- .5 DEG |

NOTES:
HAMMOND CLEARS PROPRIETARY RIGHTS TO THE MATERIAL ON THIS DRAWING. IT IS INTENDED TO BE USED AS A REFERENCE FOR ENGINEERING INFORMATION ONLY. THIS INFORMATION MAY NOT BE USED TO MANUFACTURE PRODUCT WITHOUT WRITTEN PERMISSION FROM HAMMOND MANUFACTURING.

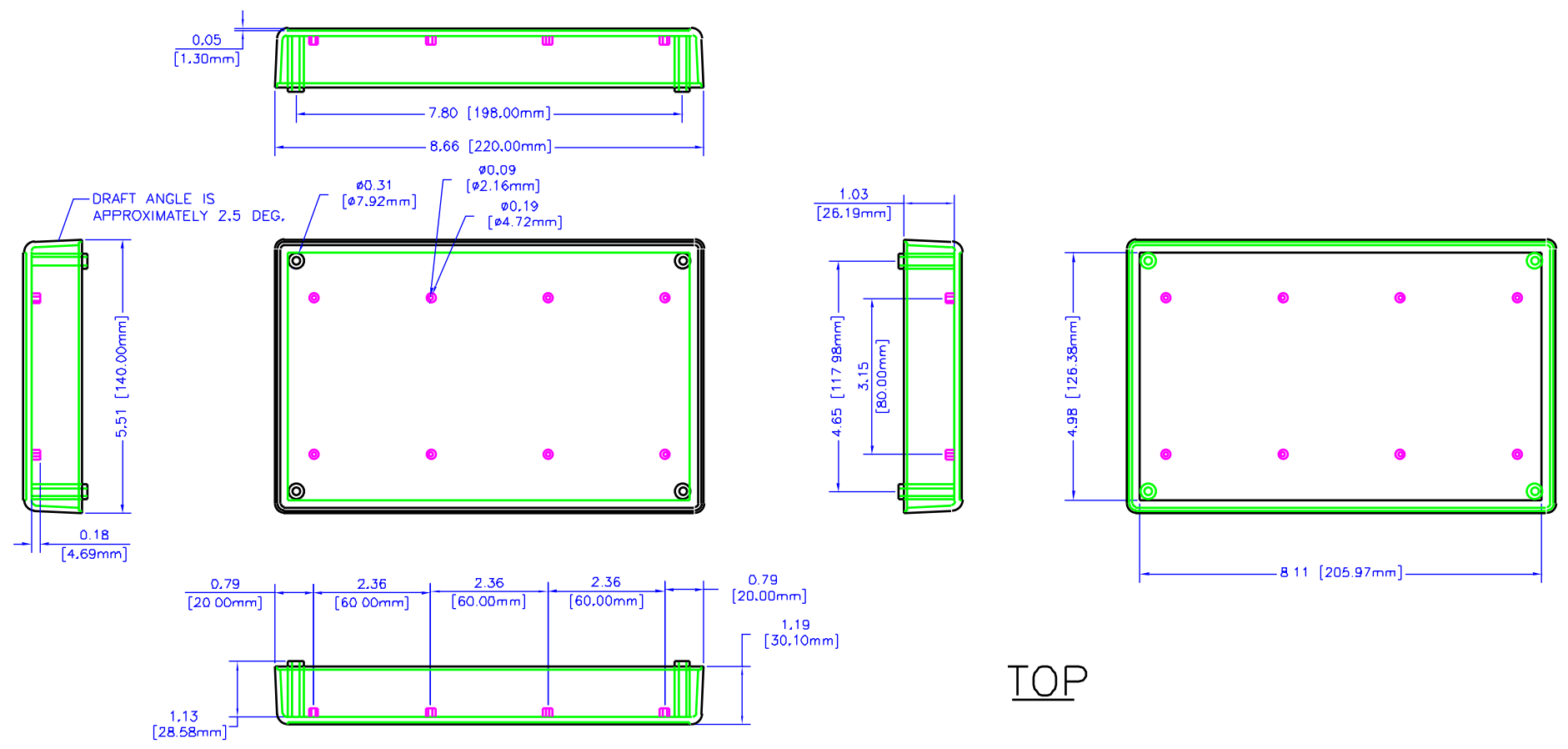


**HAMMOND
MANUFACTURING**

WEB: WWW.HAMMONDMFG.COM

| | |
|---|------------------|
| TITLE HAMMOND 1599 SERIES PLASTIC ENCLOSURE | |
| DRAWN BY MJM | DATE 07/06/01 |
| SCALE | PAGE 1 OF 3 |
| PART NUMBER 1599KBAT | |

NOTES

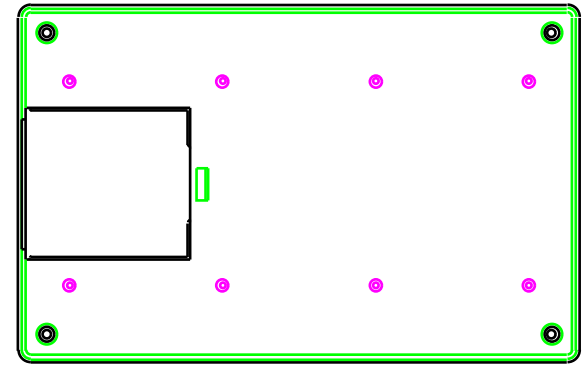
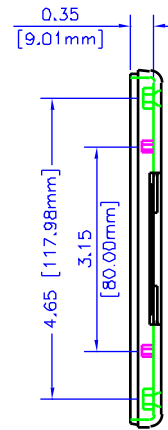
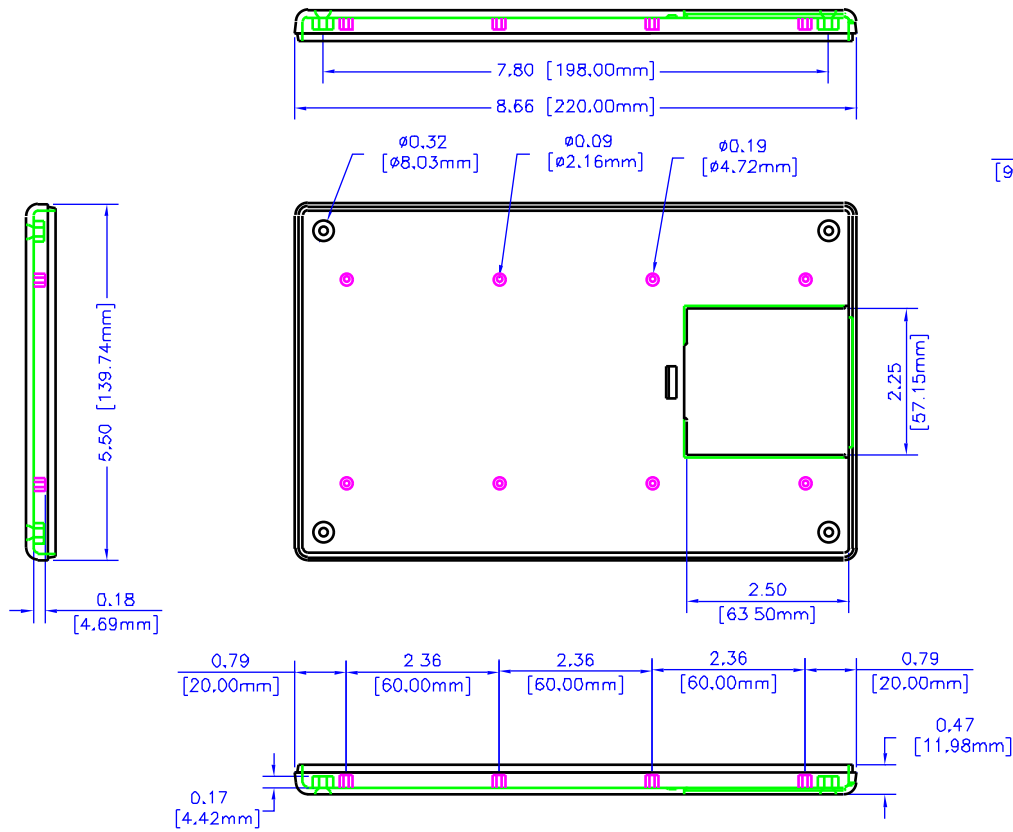


TOP

| | | | |
|--|--|---|---|
| <small>UNLESS OTHERWISE SPECIFIED DIMENSIONS ARE IN INCHES</small> X +/- .1 XX +/- .02 XXX +/- .015 CUTS +/- .005 ANGLES +/- .5 DEG. |  HAMMOND MANUFACTURING | TITLE HAMMOND 1599 SERIES PLASTIC ENCLOSURE | |
| | | DRAWN BY MJM | DATE 07/06/01 |
| | | SCALE | PAGE 2 OF 3 |
| <small>HAMMOND CLAIMS PROPRIETARY RIGHTS TO THE MATERIAL ON THIS DRAWING. IT IS INTENDED TO BE USED AS A REFERENCE FOR ENGINEERING INFORMATION ONLY. THIS INFORMATION MAY NOT BE USED TO MANUFACTURE PRODUCTS WITHOUT PERMISSION FROM HAMMOND MANUFACTURING.</small> | | PART NUMBER 1599KBAT | WEB: WWW.HAMMONDMFG.COM |

NOTES

BATTERY LID IS REMOVED
IN ALL VIEWS



BOTTOM

UNLESS OTHERWISE SPECIFIED
DIMENSIONS ARE IN INCHES
X +/- .1
XX +/- .02
XXX +/- .015
CUTS +/- .005
ANGLES +/- 5 DEG
SCALE



**HAMMOND
MANUFACTURING**

WEB: WWW.HAMMONDMFG.COM

| | | | |
|-------------|-----|--|----------|
| TITLE | | HAMMOND 1599 SERIES PLASTIC ENCLOSURE | |
| DRAWN BY | MJM | DATE | 07/06/01 |
| SCALE | | PAGE | 3 OF 3 |
| PART NUMBER | | 1599KBAT | |