



# MICRO MATE-N-LOK CONNECTOR SYSTEM

## Quick Reference Guide

TE Connectivity (TE)'s Micro MATE-N-LOK 3mm connector system offers wire-to-wire and wire-to-board connections with contacts on a 3mm (0.118) centerline and current ratings up to 5 Amps max. per line. Both single-row and dual-row configurations are available. Crimp, snap-in pin and receptacle contacts are used to terminate 30-18 (0.05-0.9mm<sup>2</sup>) AWG wire with insulation diameters up to 1.52mm. Plug and receptacle housings allow wire-to-wire and wire-to-panel configurations and header assemblies offer wire-to-board connections in vertical and right angle configurations. These infrared (IR) reflow process compatible headers are available in through-hole and surface mount configurations with multiple board mount options.

---

## FEATURES AND BENEFITS

- Wire-to-wire and wire-to-board pin and receptacle connector system
- Contacts are on 3mm centerline spacing and are available in strip form or loose piece
- Panel mount or free-hanging versions
- Dual beam receptacle contact design for improved reliability
- PCB mount pin header assemblies available in both vertical and right angle styles and surface mount or through hole versions
- Available in low profile design (<4.7mm)
- Discrete wire interconnect available in 2-12 position single row and 2-24 position dual row
- Housings available to accommodate 18 AWG wire in select circuits up to 6 position
- UL, CSA and VDE approved
- Multiple flammability options, including UL 94 V-0, UL 94 V-2, and glow wire tested (GWT\*)

## PRODUCT APPLICATIONS

- Household appliances
- Lighting
- Factory automation
- Data storage
- Gaming
- Vending
- Garage door openers
- Security systems

## ADDITIONAL INFORMATION

For more information about the TE Connectivity Micro MATE-N LOK connector offerings, please refer to these resources:

- [Micro MATE-N-LOK connector product landing page](#)
- [Product Specification 108-1836](#)
- [Application Specification 114-13000](#)

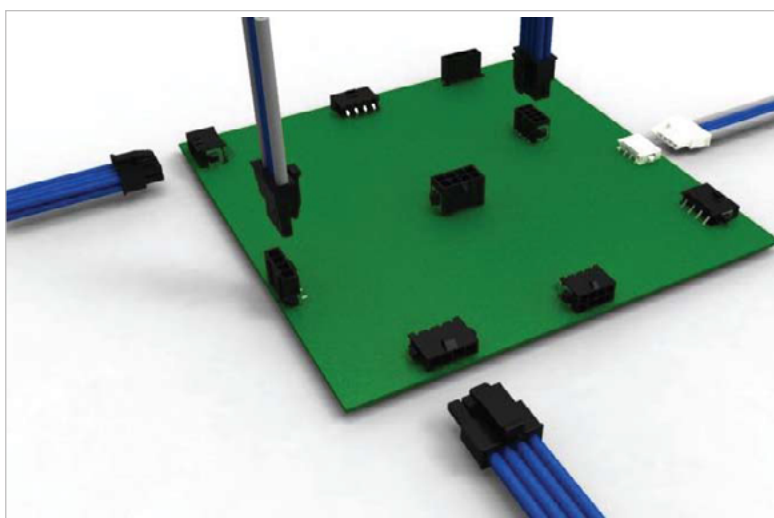
\*For more information on glow wire testing please review the [white paper Glow Wire Testing for the Appliance Industry](#) or visit the [Glow Wire Capable Connectors product page](#).

## CONTACTS

Wire Size Range AWG (mm <sup>2</sup> )	Insulation Diameter Range	Receptacle	Pin	Contact Base Part No. (PN)		Plating			Application Tooling*	Hand Tool
				Strip Form	Loose Piece	Tin	15μ Gold	30μ Gold		
26-30 0.12-0.05	.035-.060 0.89-1.52	x	-	794607	794611	<a href="#">794607-1</a>	<a href="#">1-794607-1</a>	<a href="#">1-794607-2</a>	<a href="#">2151142-1</a>	<a href="#">91502-1</a>
						<a href="#">794611-1</a>	<a href="#">1-794611-1</a>	<a href="#">1-794611-2</a>		
20-24 0.50-0.20	.035-.060 0.89-1.52	x	-	794606	794610	<a href="#">794606-1</a>	<a href="#">1-794606-1</a>	<a href="#">1-794606-2</a>	<a href="#">2151022-1</a>	<a href="#">91501-1</a>
						<a href="#">794610-1</a>	<a href="#">1-794610-1</a>	<a href="#">1-794610-2</a>		
22-18 0.3-0.9	.059-.110 1.50-2.79	x	-	2008625	-	<a href="#">2008625-1</a>	<a href="#">2008625-2</a>	<a href="#">2008625-3</a>	<a href="#">2266495-1</a>	<a href="#">2389863-1</a> (18AWG)
26-30 0.12-0.05	.035-.060 0.89-1.52	-	x	794609	794613	<a href="#">1-794609-0</a>	<a href="#">1-794609-1</a>	<a href="#">1-794609-2</a>	<a href="#">2836146-1</a>	<a href="#">91502-1</a>
						<a href="#">1-794613-0</a>	<a href="#">1-794613-1</a>	<a href="#">1-794613-2</a>		
20-24 0.50-0.20	.035-.060 0.89-1.52	-	x	794608	794612	<a href="#">1-794608-0</a>	<a href="#">1-794608-1</a>	<a href="#">1-794608-2</a>	<a href="#">2151616-1</a>	<a href="#">91501-1</a>
						<a href="#">1-794612-0</a>	<a href="#">1-794612-1</a>	<a href="#">1-794612-2</a>		

\* For application tooling, see 114-13000 for AMPOMATOR CLS machine, AMP-O-LECTRIC Model K terminator and AMP-O-LECTRIC Model G terminator.

**Note:** To select a contact and plating, first select the contact base part number and add appropriate plating prefix and suffix. For example, for a loose piece receptacle with 30μ gold plating, select base part number 794610 and add the plating prefix and suffix for 30μ gold to obtain part number [1-794610-2](#).



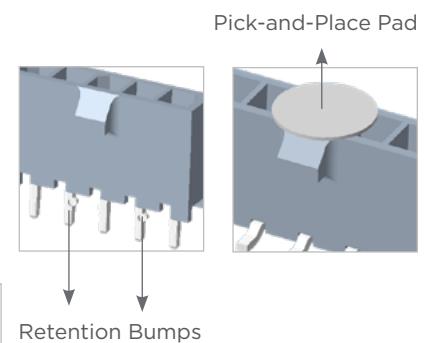
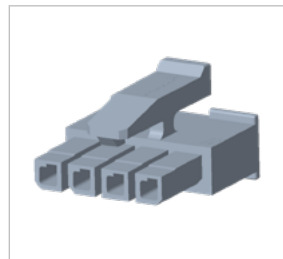
## SINGLE ROW HEADERS

Part No. (PN)	Position	Single Row	Plating Style			Vertical	Right Angle	SMT	Thruhole	SMT Hold Down	Thru-hole Metal Hold Down	Plastic Hold Down	Pick-and-Place Pad	Retention feature on Solder Tail	Packing Type		Mating Half
			Tin	15µ gold	30µ gold										Tray	Tape and Reel	
x-1445050-x	2-12	x	x			x			x			x		x			x-1445022-x
x-1445051-x	2-12	x	x			x			x		x			x			x-1445022-x
x-1445052-x	2-12	x	x			x		x			x		x			x	x-1445022-x
x-1445053-x	2-12	x	x			x		x		x			x			x	x-1445022-x
x-1445054-x	2-12	x	x				x		x		x			x			x-1445022-x
x-1445055-x	2-12	x	x				x		x			x		x			x-1445022-x
x-1445056-x	2-12	x	x				x	x			x					x	x-1445022-x
x-1445057-x	2-12	x	x				x	x		x						x	x-1445022-x
x-1445084-x	2-12	x		x		x			x			x		x	x		x-1445022-x
x-1445085-x	2-12	x		x		x			x			x			x		x-1445022-x
x-1445086-x	2-12	x		x		x		x				x			x		x-1445022-x
x-1445087-x	2-12	x		x		x		x		x			x			x	x-1445022-x
x-1445088-x	2-12	x		x			x		x			x			x		x-1445022-x
x-1445089-x	2-12	x		x			x		x			x			x		x-1445022-x
x-1445090-x	2-12	x		x			x	x				x				x	x-1445022-x
x-1445091-x	2-12	x		x			x	x		x						x	x-1445022-x
x-1445093-x	2-12	x			x	x			x			x		x	x		x-1445022-x
x-1445094-x	2-12	x			x	x			x			x			x		x-1445022-x
x-1445095-x	2-12	x			x	x		x				x			x		x-1445022-x
x-1445096-x	2-12	x			x	x		x		x			x			x	x-1445022-x
x-1445097-x	2-12	x			x		x		x			x			x		x-1445022-x
x-1445098-x	2-12	x			x		x		x			x			x		x-1445022-x
x-1445099-x	2-12	x			x		x	x				x				x	x-1445022-x
x-1445100-x	2-12	x			x		x	x		x						x	x-1445022-x

## PART NUMBER EXPLANATION

2-PN-2	2 Position Header
2-PN-3	3 Position Header
2-PN-4	4 Position Header
2-PN-5	5 Position Header
2-PN-6	6 Position Header
2-PN-7	7 Position Header
2-PN-8	8 Position Header
2-PN-9	9 Position Header
3-PN-0	10 Position Header
3-PN-1	11 Position Header
3-PN-2	12 Position Header

- Note:** To select the complete part number,
- Use 2- prefix for single row headers up to 9 positions
  - Use 3- prefix for single row headers from 10 to 12 positions
  - The -X suffix indicates number of positions  
(Example: 2-1445050-5 would be a 5 position header.  
3-1445050-1 would be an 11 position header)



## DOUBLE ROW HEADERS

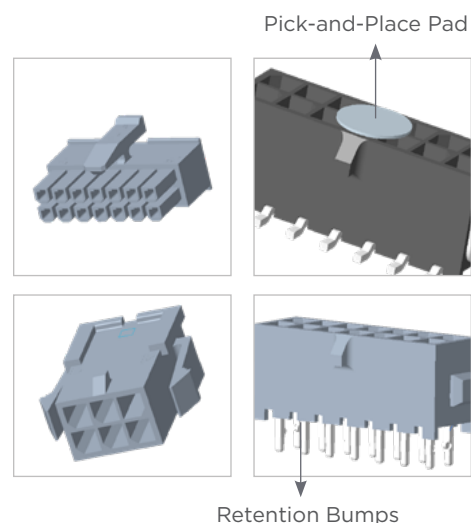
Part No. (PN)	Position	Double Row	Plating Style			Vertical	Right Angle	SMT	Thruhole	SMT Hold Down	Metal Hold Down	Plastic Hold Down	Pick-and-Place Pad	Retention feature on Solder Tail	Packing Type		Mating Half
			Tin	15µ gold	30µ gold										Tray	Tape and Reel	
x-794618-x	2-24	x	x				x		x			x			x		x-794617-x
x-794619-x	2-24	x		x			x		x			x			x		x-794617-x
x-794620-x	2-24	x			x		x		x			x			x		x-794617-x
x-794621-x	2-24	x	x				x	x				x				x	x-794617-x
x-794622-x	2-24	x		x			x	x				x				x	x-794617-x
x-794623-x	2-24	x			x		x	x				x				x	x-794617-x
x-794624-x	2-24	x	x				x	x				x				x	x-794617-x
x-794625-x	2-24	x		x			x	x				x				x	x-794617-x
x-794626-x	2-24	x			x		x	x				x				x	x-794617-x
x-794627-x	2-24	x	x				x	x		x						x	x-794617-x
x-794628-x	2-24	x		x			x	x		x						x	x-794617-x
x-794629-x	2-24	x			x		x	x		x						x	x-794617-x
x-794630-x	2-24	x	x			x			x						x	x	x-794617-x
x-794631-x	2-24	x		x		x			x						x	x	x-794617-x
x-794632-x	2-24	x			x	x			x						x	x	x-794617-x
x-794633-x	2-24	x	x			x			x			x				x	x-794617-x
x-794634-x	2-24	x		x		x			x			x				x	x-794617-x
x-794635-x	2-24	x			x	x			x			x				x	x-794617-x
x-794636-x	2-24	x	x			x			x			x				x	x-794617-x
x-794637-x	2-24	x		x		x			x			x				x	x-794617-x
x-794638-x	2-24	x			x	x			x			x				x	x-794617-x
x-794677-x	2-24	x	x				x		x			x				x	x-794617-x
x-794678-x	2-24	x		x			x		x			x				x	x-794617-x
x-794679-x	2-24	x			x		x		x			x				x	x-794617-x
x-794680-x	2-24	x	x			x			x			x			x	x	x-794617-x
x-794681-x	2-24	x		x		x			x			x			x	x	x-794617-x
x-794682-x	2-24	x			x	x			x			x			x	x	x-794617-x

## PART NUMBER EXPLANATION

3-PN-2	2 Position Header
3-PN-4	4 Position Header
3-PN-6	6 Position Header
3-PN-8	8 Position Header
4-PN-0	10 Position Header
4-PN-2	12 Position Header
4-PN-4	14 Position Header
4-PN-6	16 Position Header
4-PN-8	18 Position Header
5-PN-0	20 Position Header
5-PN-2	22 Position Header
5-PN-4	24 Position Header

**Note:** To select the complete part number,

- Use 3- prefix for dual row headers up to 8 positions
- Use 4- prefix for dual row headers from 10 to 18 positions
- Use 5- prefix for dual row headers from 20 to 24 positions
- The -X suffix indicates number of positions (Example: 3-794630-4 would be a 4 position header. 4-794630-4 would be a 14 position header. 5-794630-4 would be a 24 position header.)



## HOUSINGS

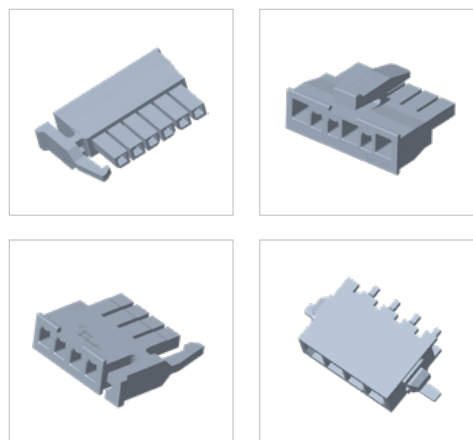
No. of Circuits*	Part No.	Plug	Receptacle	Single Row	Double Row	Free Hanging	Panel Mount	Mating Half	Terminals	Color	Remarks
2-12	x-1445049-x	x		x		x			x-794608-x	Black	
2-12	x-1445048-x	x		x			x	x-1445022-x	x-794609-x x-794612-x x-794613-x		
2-12	x-1445022-x		x	x				x-1445049-x, x-1445048-X single row headers	x-794606-x x-794607-x x-794610-x x-794611-x		Black
2-4	2029047-x		x	x				low profile headers	x-794606-x, x-794607-x, x-794610-x, x-794611-x	Black	Low profile housing
2-4	2029102-x		x	x					Natural		
2-6	2008570-X		x		x			single row headers	2008625-x** x-794606-x x-794607-x x-794610-x x-794611-x	Black	Low profile housing, Accepts 18AWG wire
2-6	2008571-X		x		x			low profile headers			

### Note:

- (\*) Use the prefix and suffix to indicate position size.  
(Example: 794617-2 would be a 2 position housing and 2-794617-4 would be a 24 position housing)
- (\*\*) Terminal can be used in the other receptacle housings, but not with 18AWG cables. This size needs to be used only in the specific positions designed for that.
- Receptacle terminals mate in the receptacle housings and pin terminals mate in the Plug housings

## SELECT 18 AWG RECEPTACLE HOUSINGS

No. of Position	Part No.	18 AWG Circuits	Black	Top Latch	Side Latch
2	<a href="#">2008570-2</a>	1, 2	x		x
3	<a href="#">2008570-3</a>	1, 3	x		x
4	<a href="#">2008570-4</a>	1, 4	x		x
5	<a href="#">2008570-5</a>	1, 3, 5	x		x
2	<a href="#">2008571-2</a>	1, 2	x	x	
3	<a href="#">2008571-3</a>	1, 3	x	x	
4	<a href="#">2008571-4</a>	1, 4	x	x	
6	<a href="#">2008571-6</a>	1, 3, 6	x	x	



### Note:

- For natural color add 1- prefix to base part number
- Remaining circuits accommodate 20 AWG wire or smaller using standard contacts

## LOW PROFILE RECEPTACLE HOUSINGS AND HEADERS

Part Number	Position	Single Row	Plating			Vertical	Right Angle	SMT	Thru-hole	SMT Hold Down	Metal Hold Down	Plastic Hold Down	Pick-and-Place Pad	Retention feature on Solder Tail	Packaging Type		Mating Half	Color
			Tin	15µ Gold	30µ Gold										Tray	Tape & Reel		
2029030-x	2-4	x	x				x	x		x					x		2029047-x Y-2008570-X	Black
2029104-x	2-4	x	x				x	x		x					x		2029102-x Y-2008570-X	Natural
2029266-x	2-4	x			x		x	x		x					x		2029047-x Y-2008570-X	Black

## VDE APPROVED CONNECTORS

No. of Circuits	Part Number	Plug	Receptacle	Single Row	Double Row	Free Hanging	Panel Mount	Mating Half	Terminals
2 to 4	2315758-x	x			x		x	2315744-x	x-794608-x, x-794609-x, x-794612-x, x-794613-x
2 to 4	2315759-x	x			x	x		2315744-x	x-794608-x, x-794609-x, x-794612-x, x-794613-x
6 to 10	3-794615-x	x			x		x	3-794617-x	x-794608-x, x-794609-x, x-794612-x, x-794613-x
6 to 10	3-794616-x	x			x	x		3-794617-x	x-794608-x, x-794609-x, x-794612-x, x-794613-x
2, 3 and 4	2315785-x	x		x		x		2315752-x	x-794608-x, x-794609-x, x-794612-x, x-794613-x
2, 3 and 4	2315786-x	x		x			x	2315752-x	x-794608-x, x-794609-x, x-794612-x, x-794613-x
2 to 4	2315744-x		x		x			2315758-x, 2315759-x	x-794606-x, x-794607-x, x-794610-x, x-794611-x, 2008625-x
6 to 10	3-794617-x		x		x			3-794615-x, 3-794616-x	x-794606-x, x-794607-x, x-794610-x, x-794611-x, 2008625-x
2, 3 and 4	2315752-x		x	x				2315785-x, 2315786-x	x-794606-x, x-794607-x, x-794610-x, x-794611-x, 2008625-x

**Note:**

- Use the suffix -6 (6 position housing), -8 (8 position housing) or -0 (10 position housing)
- These connectors have keying by position size - different from the standard receptacle and plug connectors

Additional headers with alternative packaging, colors, and materials are available upon request.

---

## QUESTIONS THAT WILL HELP YOU BETTER SELECT THE PRODUCT THAT YOU NEED:

### What are the current and voltage requirements for your application?

The Micro MATE-N-LOK 3mm connector system has a maximum current rating of 5 Amps per line and is rated for 250 Volts AC/DC.

### What are the wire type and size requirements?

The Micro MATE-N-LOK 3mm connector system contacts are approved for use with 22-18 (0.3-0.9), 24-20 (0.2-0.6) and 30-26 (0.05-0.15) AWG wire with a maximum insulation diameter of 0.110 (2.79).

### What are the number of positions?

The Micro MATE-N-LOK 3mm connector system is available in 2-12 position single row and 2-24 position dual row configurations on a 3.0mm pitch.

### What are the operating temperature requirements?

The Micro-MATE-N-LOK 3mm connector system has a maximum operating temperature of 105°C. For more information regarding operating temperatures refer to Product Specification 108-1836.

### What packaging types are offered for headers and housings?

The Micro MATE-N-LOK 3mm connector system offers tape and reel packaging for surface mount headers, tray packaging for thru-board headers and bulk packaging for all receptacle and plug housings.

### What is the benefit of choosing low-profile receptacle housings?

The Micro MATE-N-LOK 3mm connector system offers a low profile receptacle housing for applications that need to meet minimal height requirements. This low profile design offers a mated height of only 4.7mm and is available in 2, 3 and 4 positions, in black or natural color.

### What is the benefit of using an 18 AWG select circuit receptacle housing?

The Micro MATE-N-LOK 3mm connector system offers a special 18 AWG wire-to-board select circuit housing for low voltage lighting applications. Designed to accommodate 18 AWG UL1007 wire in select circuits of the 2, 3, 4, 5 and 6 position housings, this product is highly reliable to help minimize millivolt drops on long wire runs sometimes required by low voltage conventional and solid state lighting.

### What flame resistant material options are available?

The Micro MATE-N-LOK 3mm connector system is available with multiple flammability options, including UL 94 V-0, UL 94 V-2, and glow wire tested (GWT).

## Connect With Us

We make it easy to connect with our experts and are ready to provide the support you need. Visit [te.com/support](https://te.com/support) to chat with a Product Information Specialist.

---

### [te.com/micro-mate-n-lok-connector](https://te.com/micro-mate-n-lok-connector)

AMP-O-LECTRIC, AMPOMATOR, MATE-N-LOK, TE Connectivity, TE, TE connectivity (logo) and EVERY CONNECTION COUNTS are trademarks owned or licensed by the TE Connectivity plc family of companies. All other logos, products and/or company names referred to herein might be trademarks of their respective owners.

While TE has made every reasonable effort to ensure the accuracy of the information in this document, TE does not guarantee that it is error-free, nor does TE make any other representation, warranty or guarantee that the information is accurate, correct, reliable or current. TE reserves the right to make any changes to the information contained herein without prior notice. TE Connectivity's obligations shall only be as set forth in TE Connectivity's Standard Terms and Conditions of Sale for this product and in no case will TE Connectivity be liable for any incidental, indirect, or consequential damages arising out of the sale, resale, use, or misapplication of the product. TE expressly disclaims any implied warranties with respect to the information contained herein, including, but not limited to, implied warranties of merchantability or fitness for a particular purpose. Dimensions, specifications and/or information contained herein are for reference purposes only and are subject to change without notice. Consult TE for the latest dimensions, specifications and/or information. Users of TE Connectivity products must make their own assessment as to whether the respective product is suitable for the respective desired application.

©2025 TE Connectivity. All Rights Reserved.

06-25