

Standard Size Toggle Switches

Solder Lug Terminals

| Stock No. | Mfr.'s Type | Pole Throw | Circuit () = momentary | Resistive Load | | Inductive 125 VAC | EACH | | |
|-----------|-------------|------------|----------------------------|----------------|---------|----------------------|-------|-------|-------|
| | | | | 125 VAC | 250 VAC | | 1-24 | 25-49 | 50-99 |
| 870-9203 | S1A | SPST | on-none-off | 15 A | 6 A | 8 A | 3.05 | 2.84 | 2.62 |
| 870-9206 | S2A | SPDT | on-none-on | 15 A | 6 A | 8 A | 3.50 | 3.26 | 3.01 |
| 870-9209 | S3A | SPDT | on-off-on | 15 A | 6 A | 8 A | 3.60 | 3.35 | 3.10 |
| 870-9205 | S305 | SPDT | on-none-(on) | 15 A | 6 A | 8 A | 4.35 | 4.05 | 3.74 |
| 870-9228 | S308 | SPDT | (on)-off-(on) | 15 A | 6 A | 8 A | 4.45 | 4.14 | 3.83 |
| 870-9229 | S331 | DPST | on-none-off | 25 A | 25 A | 10 A | 5.90 | 5.49 | 5.07 |
| 870-9155 | S21A | DPST | on-none-off | 15 A | 15 A | 8 A | 4.40 | 4.09 | 3.78 |
| 870-9231 | S332 | DPDT | on-none-on | 25 A | 15 A | 10 A | 5.91 | 5.50 | 5.09 |
| 870-9233 | S333 | DPDT | on-off-on | 25 A | 15 A | 10 A | 6.95 | 6.46 | 5.98 |
| 870-9951 | S335 | DPDT | on-none-(on) | 15 A | 6 A | 8 A | 7.00 | 6.51 | 6.02 |
| 870-9952 | S338 | DPDT | (on)-off-(on) | 15 A | 6 A | 8 A | 7.65 | 7.11 | 6.58 |
| 870-9218 | S32 | 3PDT | on-none-on | 25 A | 9 A | 10 A | 8.70 | 8.09 | 7.48 |
| 870-9219 | S33 | 3PDT | on-off-on | 25 A | 9 A | 10 A | 9.40 | 8.74 | 8.08 |
| 870-9156 | S35 | 3PDT | on-none-(on) | 15 A | 6 A | 8 A | 9.40 | 8.74 | 8.08 |
| 870-9220 | S42 | 4PDT | on-none-on | 25 A | 9 A | 10 A | 10.05 | 9.35 | 8.64 |
| 870-9221 | S43 | 4PDT | on-off-on | 25 A | 9 A | 10 A | 10.85 | 10.10 | 9.33 |

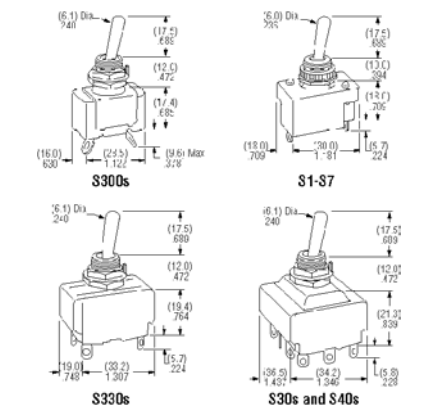
Screw Terminals

| | | | | | | | | | |
|----------|-------|------|-------------|------|------|------|------|------|------|
| 870-9223 | S301T | SPST | on-none-off | 15 A | 6 A | 10 A | 4.30 | 4.00 | 3.70 |
| 870-9225 | S302T | SPDT | on-none-on | 15 A | 6 A | 10 A | 4.45 | 4.14 | 3.83 |
| 870-9227 | S303T | SPDT | on-off-on | 15 A | 6 A | 10 A | 4.70 | 4.37 | 4.04 |
| 870-9230 | S331T | DPST | on-none-off | 15 A | 15 A | 10 A | 6.60 | 6.14 | 5.68 |
| 870-9232 | S332T | DPDT | on-none-on | 15 A | 15 A | 10 A | 6.95 | 6.46 | 5.98 |
| 870-9234 | S333T | DPDT | on-off-on | 15 A | 15 A | 10 A | 9.64 | 8.76 | 6.75 |

Quick Connect Terminals

| | | | | | | | | | |
|----------|-----|------|-------------|------|------|-----|------|------|------|
| 870-9205 | S1F | SPST | on-none-off | 15 A | 6 A | 8 A | 3.35 | 3.12 | 2.88 |
| 870-9208 | S2F | SPDT | on-none-on | 15 A | 6 A | 8 A | 3.95 | 3.67 | 3.40 |
| 870-9211 | S3F | SPDT | on-off-on | 15 A | 6 A | 8 A | 4.10 | 3.81 | 3.53 |
| 870-9215 | S6F | DPDT | on-none-on | 20 A | 10 A | 8 A | 6.15 | 5.72 | 5.29 |
| 870-9157 | S7F | DPDT | on-off-on | 20 A | 10 A | 8 A | 6.20 | 5.77 | 5.33 |

5

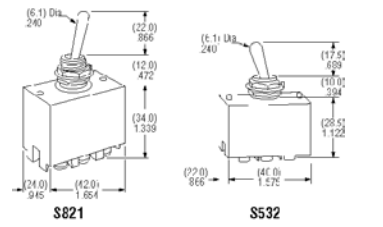


S Series. Variations: 1-4 pole; 15 A-25 A electrical capacities; solder lug, screw and .250" quick connect terminals; 12 mm bushings. Many devices UL recognized and CSA certified. Terminal hardware provided with screw terminals. Bright chrome finish on bat lever. Mounting hardware provided.

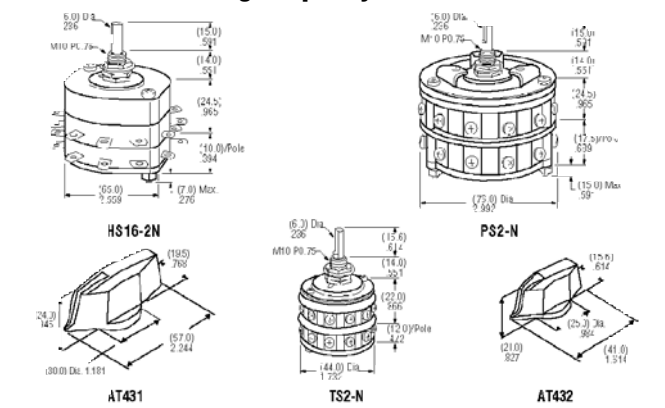
High Capacity Toggle Switches

Variations: 2 pole; 30-50 A range of electrical capacities; 12 mm bushings. Screw terminals. Terminal hardware provided. Bright chrome bat lever. S821 UL recognized; S532, S533, S821 CSA certified. S732 Body: 1.496"W x 2.362"L x 1.535"H.

| Stock No. | Mfr.'s Type | Pole Throw | Circuit | Resistive Load | | Inductive 125 VAC | EACH | | |
|-----------|-------------|------------|-------------|----------------|---------|----------------------|-------|-------|-------|
| | | | | 125 VAC | 250 VAC | | 1-24 | 25-49 | 50-99 |
| 870-9240 | S821 | DPST | on-none-off | 30 A | 30 A | — | 19.90 | 18.71 | 17.51 |
| 870-9237 | S532 | DPDT | on-none-on | 30 A | 15 A | 15 A | 21.05 | 19.79 | 18.52 |
| 870-9239 | S732 | DPDT | on-none-on | 50 A | 30 A | 25 A | 49.30 | 46.34 | 43.38 |
| 870-9238 | S533 | DPDT | on-off-on | 30 A | 15 A | 15 A | 21.40 | 20.12 | 16.95 |



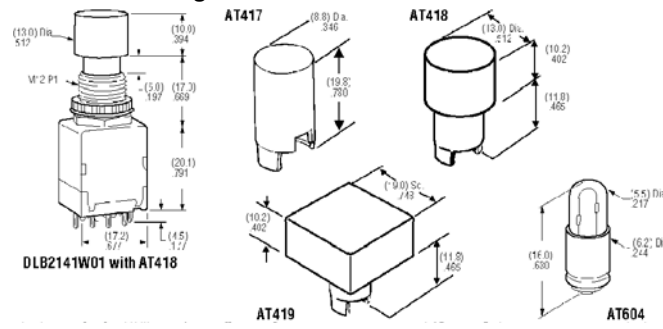
Standard Size and High Capacity Rotaries



Available from 6 amp to 30 amp. Available in 1-12 positions and 1-6 pole with nonshorting circuits. Shorting circuits are also available. Adjustable Settings: 2, 3, 4, etc. through 11. .250" quick connect/solder lug terminals on HS. Hardware provided with screw terminals on TS and PS models.

| Stock No. | Mfr.'s Type | Terminals | Resistive Load | | EACH | | |
|-----------|-------------|-------------------|----------------|---------|--------|-------|-------|
| | | | 125 VAC | 250 VAC | 1-24 | 25-49 | 50-99 |
| 870-9251 | HS16-1N | 1 COMM 11 LOAD | 12 A | 6 A | 17.00 | 15.98 | 14.96 |
| 870-9253 | HS16-2N | 2 COMM 22 LOAD | 12 A | 6 A | 24.40 | 22.94 | 21.47 |
| 870-9255 | HS16-3N | 3 COMM 33 LOAD | 12 A | 6 A | 32.30 | 30.36 | 28.42 |
| 870-9257 | HS16-4N | 4 COMM 44 LOAD | 12 A | 6 A | 56.60 | 53.20 | 49.81 |
| 870-9259 | HS16-5N | 5 COMM 55 LOAD | 12 A | 6 A | 69.60 | 65.42 | 61.25 |
| 870-9261 | HS16-6N | 6 COMM 66 LOAD | 12 A | 6 A | 101.00 | 94.94 | 88.88 |
| 870-9265 | PS1-N | 1 COMM 11 LOAD | 30 A | 30 A | 32.30 | 30.36 | 28.42 |
| 870-9266 | PS2-N | 2 COMM 22 LOAD | 30 A | 30 A | 52.60 | 49.44 | 46.29 |
| 870-9267 | PS3-N | 3 COMM 33 LOAD | 30 A | 30 A | 73.00 | 68.62 | 64.24 |
| 870-9268 | PS4-N | 4 COMM 44 LOAD | 30 A | 30 A | 94.00 | 88.36 | 82.72 |
| 870-9269 | TS1-N | 1 COMM 11 LOAD | 6 A | 6 A | 29.00 | 27.26 | 25.52 |
| 870-9270 | TS2-N | 2 COMM 22 LOAD | 6 A | 6 A | 39.50 | 37.13 | 34.76 |
| 870-9271 | TS3-N | 3 COMM 33 LOAD | 6 A | 6 A | 50.25 | 47.24 | 44.22 |
| 870-9272 | TS4-N | 4 COMM 44 LOAD | 6 A | 6 A | 80.90 | 76.05 | 71.19 |
| 870-9159 | AT431 | Large Rotary Knob | 2.72 | 1.98 | 1.95 | | |
| 870-9160 | AT432 | Small Rotary Knob | 2.02 | 1.98 | 1.95 | | |

Standard Size Lighted Pushbuttons



Full face illumination. Rear panel threaded mounting. Momentary and alternate action. Resistive Load: 5 A max. @ 125 V AC. Electrical Life: 10,000 operations min. Total Travel: .196". Operating Force: 1,300 g (mom.) and 1,200 g (alt.).

Switches

| Stock No. | Mfr.'s Type | Pole Throw | Circuit () = mom. | Description | EACH | | |
|-----------|-------------|------------|-----------------------|-------------|-------|-------|-------|
| | | | | | 1-24 | 25-49 | 50-99 |
| 870-8200 | DLB2141W01 | DPDT | on-(on) | Switch only | 9.40 | 8.84 | 8.27 |
| 870-8201 | DLB2145W01 | DPDT | on-on | Switch only | 10.00 | 9.40 | 8.80 |

Snap-On Caps

| | | | | | | | |
|----------|--------|-----|------------|--------|------|------|------|
| 870-0851 | AT417B | Cap | .346" Dia. | White | .80 | .75 | .70 |
| 870-0852 | AT417C | Cap | .346" Dia. | Red | .80 | .75 | .70 |
| 870-8785 | AT418E | Cap | .512" Dia. | Yellow | 1.30 | 1.22 | 1.14 |
| 870-8237 | AT418F | Cap | .512" Dia. | Green | 1.30 | 1.22 | 1.14 |
| 870-4501 | AT418G | Cap | .512" Dia. | Blue | 1.30 | 1.22 | 1.14 |
| 870-8229 | AT419B | Cap | .748" Sqr. | White | 1.30 | 1.22 | 1.14 |
| 870-8226 | AT419C | Cap | .748" Sqr. | Red | 1.30 | 1.22 | 1.14 |

Incandescent Lamp

| Stock No. | Mfr.'s Type | Voltage | Current | Endurance | EACH | | |
|-----------|-------------|---------|---------|------------|------|-------|-------|
| | | | | | 1-24 | 25-49 | 50-99 |
| 870-8300 | AT604-14V | 14 V | 80 mA | 750 hours | 1.60 | 1.50 | 1.41 |
| 870-8305 | AT604-28V | 28 V | 40 mA | 1000 hours | 1.60 | 1.50 | 1.41 |