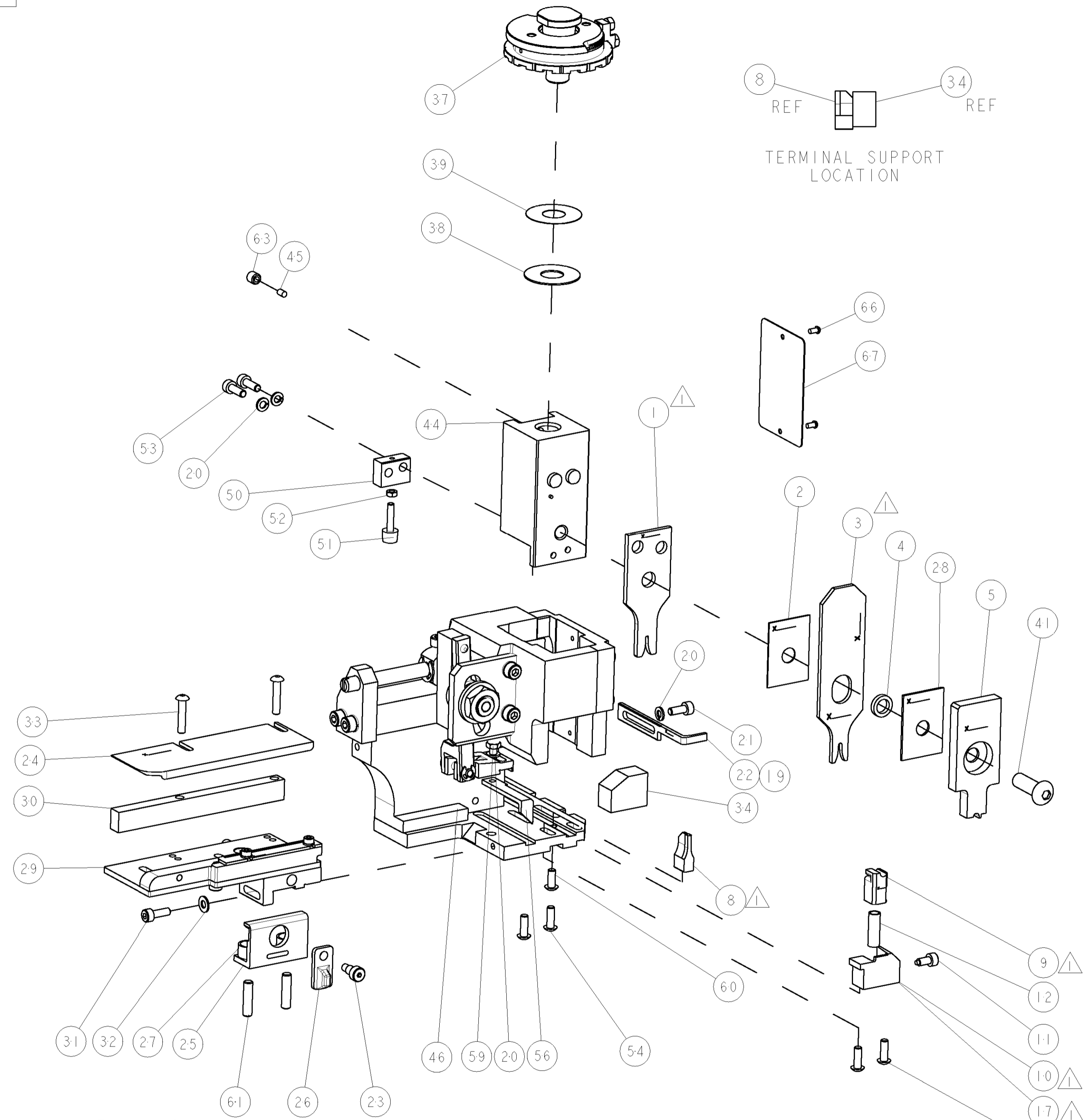


PART NUMBER	REV	TERMINATOR	FEED TYPE	DESCRIPTION
1528538-1	A	LEADMAKER	MECH POST FEED	CUTS CARRIER
1528538-2	A	BENCH	MECH PRE FEED	CUTS CARRIER
1528538-6	A	LEADMAKER	MECH POST FEED	CONTINUOUS CARRIER
7-1528538-1	A	LEADMAKER	MECH POST FEED	-1 AND SPARE PARTS
7-1528538-2	A	BENCH	MECH PRE FEED	-2 AND SPARE PARTS
7-1528538-6	A	LEADMAKER	MECH POST FEED	-6 AND SPARE PARTS
7-1528538-7	A	-	-	SPARE PARTS KIT

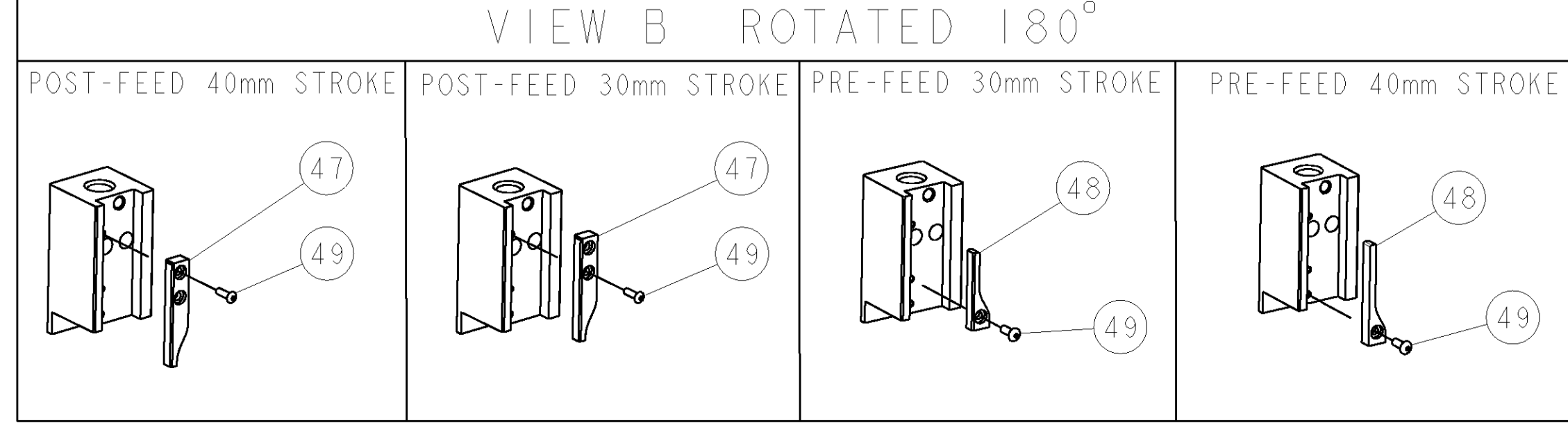
CRIMP DATA		MOLEX TERMINAL		MOLEX CRIMP SPEC	
TERMINAL NAME: HDX FEMALE CRIMP TERMINAL 0.635mm					
CRIMP	SIZE	TYPE	RANGE		
WIRE	1.50 [0.059 IN]	F	0.22mm - 0.60mm ²		
INSUL	2.29 [0.090 IN]	o	1.2-1.8 [0.047-.071 IN]		
WIRE STRIP LENGTH 3.6-4.4 [0.142-.173 IN]		APPL INSTRUCTIONS 408-8322 & 408-8490			
TERMINAL DRG SD-98587-001		FEED APPL SPEC		8.00 [0.315 IN]	
TERMINALS APPLIED					
TYCO PN	MOLEX PN				
1572722-1	98587-0014	-	-	-	-
-	-	-	-	-	-
-	-	-	-	-	-
-	-	-	-	-	-
WIRE SIZE	CRIMP HEIGHT	REF SETTING			
0.60mm sq	1.14 ±0.03 [0.045 ±0.001 IN]	B 0			
0.50mm sq	1.07 ±0.03 [0.042 ±0.001 IN]	B 7			
0.35mm sq	1.05 ±0.03 [0.041 ±0.001 IN]	B 8			
0.22mm sq	1.01 ±0.03 [0.040 ±0.001 IN]	B 9			

- △ RECOMMENDED SPARE PARTS
- GREASE RAM, CAM, CAM FOLLOWER AND FEED ROD LIGHTLY
 - LUBRICATE DAILY PER THE APPLICATOR INSTRUCTION SHEET SUPPLIED WITH THE APPLICATOR
 - ALL CRIMP DATA SUPPLIED BY TERMINAL MANUFACTURER. 0.22 mm² WIRE IS NOT RECOMMENDED FOR USE BY TYCO ELECTRONICS UK LTD.

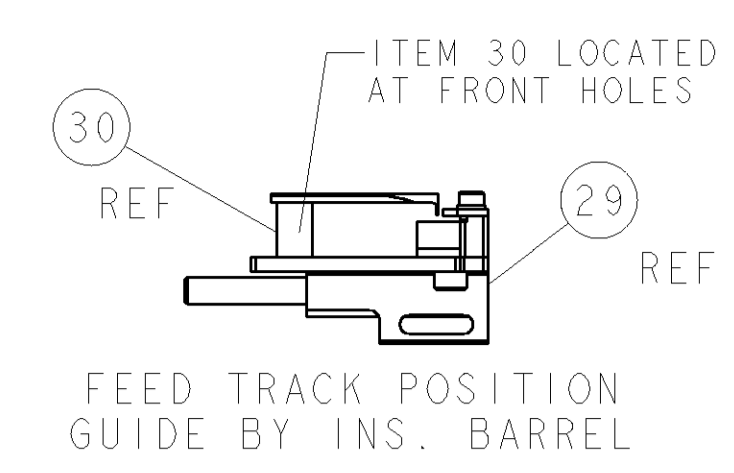


* WARNING
ON INSTALLATION, SET WIRE DISC TO LARGEST WIRE SIZE SETTING. USE OF SETTINGS BELOW MIN. REQUIRED CRIMP HEIGHT SETTING WILL CAUSE DAMAGE TO CRIMP TOOLING.

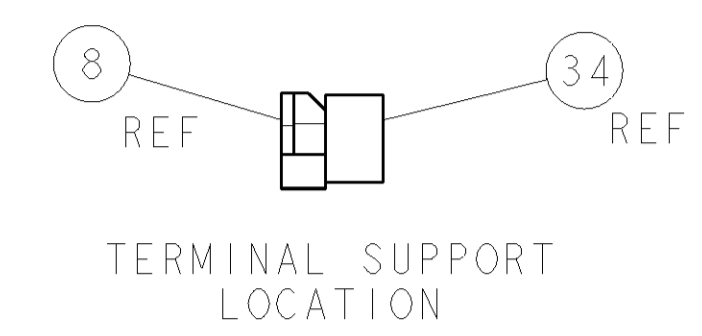
PROTOTYPE DESIGN NOT RELEASED FOR PRODUCTION



-77	-76	-72	-71	-6	-2	-1	PART NO	DESCRIPTION	ITEM NO
-	-	-	-	-	-	-	-	-	84
-	-	-	-	-	-	-	-	-	83
-	-	-	-	-	-	-	-	-	82
-	-	-	-	-	-	-	-	-	81
-	-	-	-	-	-	-	-	-	80
-	-	-	-	-	-	-	-	-	79
-	-	-	-	-	-	-	-	-	78
-	-	-	-	-	-	-	-	-	77
-	-	-	-	-	-	-	-	-	76
-	-	-	-	-	-	-	-	-	75
-	-	-	-	-	-	-	-	-	74



FEED TRACK POSITION GUIDE BY INS. BARREL



SET UP GAGE 458637-3

REV A		DIST 66		REVISIONS			
DATE	BY	DESCRIPTION	DATE	BY	APPROV		
10JUN2005	LJL	SEE ECO-05-003751			FB		

-	-	-	-	-	-	-	-	-	73
-	-	-	-	-	-	-	-	-	72
-	-	-	-	-	-	-	-	-	71
-	-	-	-	-	-	-	-	-	70
-	-	-	-	-	-	-	-	-	69
-	-	-	-	-	-	-	-	-	68
-	-	-	-	-	-	-	-	-	67
-	-	-	-	-	-	-	-	-	66
-	-	-	-	-	-	-	-	-	65
-	-	-	-	-	-	-	-	-	64
-	-	-	-	-	-	-	-	-	63
-	-	-	-	-	-	-	-	-	62
-	-	-	-	-	-	-	-	-	61
-	-	-	-	-	-	-	-	-	60
-	-	-	-	-	-	-	-	-	59
-	-	-	-	-	-	-	-	-	58
-	-	-	-	-	-	-	-	-	57
-	-	-	-	-	-	-	-	-	56
-	-	-	-	-	-	-	-	-	55
-	-	-	-	-	-	-	-	-	54
-	-	-	-	-	-	-	-	-	53
-	-	-	-	-	-	-	-	-	52
-	-	-	-	-	-	-	-	-	51
-	-	-	-	-	-	-	-	-	50
-	-	-	-	-	-	-	-	-	49
-	-	-	-	-	-	-	-	-	48
-	-	-	-	-	-	-	-	-	47
-	-	-	-	-	-	-	-	-	46
-	-	-	-	-	-	-	-	-	45
-	-	-	-	-	-	-	-	-	44
-	-	-	-	-	-	-	-	-	43
-	-	-	-	-	-	-	-	-	42
-	-	-	-	-	-	-	-	-	41
-	-	-	-	-	-	-	-	-	40
-	-	-	-	-	-	-	-	-	39
-	-	-	-	-	-	-	-	-	38
-	-	-	-	-	-	-	-	-	37
-	-	-	-	-	-	-	-	-	36
-	-	-	-	-	-	-	-	-	35
-	-	-	-	-	-	-	-	-	34
-	-	-	-	-	-	-	-	-	33
-	-	-	-	-	-	-	-	-	32
-	-	-	-	-	-	-	-	-	31
-	-	-	-	-	-	-	-	-	30
-	-	-	-	-	-	-	-	-	29
-	-	-	-	-	-	-	-	-	28
-	-	-	-	-	-	-	-	-	27
-	-	-	-	-	-	-	-	-	26
-	-	-	-	-	-	-	-	-	25
-	-	-	-	-	-	-	-	-	24
-	-	-	-	-	-	-	-	-	23
-	-	-	-	-	-	-	-	-	22
-	-	-	-	-	-	-	-	-	21
-	-	-	-	-	-	-	-	-	20
-	-	-	-	-	-	-	-	-	19
-	-	-	-	-	-	-	-	-	18
-	-	-	-	-	-	-	-	-	17
-	-	-	-	-	-	-	-	-	16
-	-	-	-	-	-	-	-	-	15
-	-	-	-	-	-	-	-	-	14
-	-	-	-	-	-	-	-	-	13
-	-	-	-	-	-	-	-	-	12
-	-	-	-	-	-	-	-	-	11
-	-	-	-	-	-	-	-	-	10
-	-	-	-	-	-	-	-	-	9
-	-	-	-	-	-	-	-	-	8
-	-	-	-	-	-	-	-	-	7
-	-	-	-	-	-	-	-	-	6
-	-	-	-	-	-	-	-	-	5
-	-	-	-	-	-	-	-	-	4
-	-	-	-	-	-	-	-	-	3
-	-	-	-	-	-	-	-	-	2
-	-	-	-	-	-	-	-	-	1

LOC	DIST	REV	DATE	BY	DESCRIPTION	ITEM NO
A	66					

TYCO	DESCRIPTION	ITEM NO
1338705-3	DOCUMENTATION PACKAGE	71
461264-5	PLATE, IDENTIFICATION	67
21017-2	SCREW, DRIVE	66
3-18031-0	SCR, SET, CUP POINT M6 X 6.0	63
2-18032-5	SCR, SET, FLT POINT M5 X 20.0	61
18024-7	SCR, BTN SKT HD CAP (M4 X 10.0)	60
5-18022-2	SCR, HEX HD CAP M4 X 8.0	59
1338685-1	PAWL, FEED	56
18024-8	SCR, BTN SKT HD CAP (M4 X 12.0)	54
1-18023-2	SCR, SKT HD CAP M4 X 12.0	53
18030-1	NUT, HEX, REG M3	52
811242-5	BUMPER, HOLD DOWN	51
690753-2	SPACER, TONKER	50
18024-3	SCR, BTN SKT HD CAP (M3 X 10.0)	49
1338675-1	CAM, UNIVERSAL PRE FEED	48
1338676-1	CAM, UNIVERSAL POST-FEED	47
1320999-3	APPLICATOR SUBASSEMBLY, HDI	46
690191-1	PLUG, NYLON	45
1338660-1	RAM	44
2-18024-6	SCR, BTN SKT HD CAP (M8 X 25.0)	41
690125-1	SHIM SUB-ASSY	39
469367-8	SHIM	38
879103-3	DISC, ADJUSTABLE GEITNER	37
1320934-3	SUPPORT, TERMINAL	34
1-18024-0	SCR, BTN SKT HD CAP (M4 X 20.0)	33
18027-2	WASHER, FLAT, REG M4	32
1-18023-2	SCR, SKT HD CAP M4 X 12.0	31
1320908-4	SPACER, STRIP GUIDE	30
1633073-1	STRIP GUIDE ASSEMBLY	29
1-455888-0	SPACER, CRIMPER	28
1-22284-0	SPRING, COMPRESSION	27
356835-1	LEVER, DRAG RELEASE	26
240792-1	DRAG, TERMINAL	25
1320928-5	PLATE, STRIP GUIDE	24
980371-4	SCR, SKT HD SHLDR 5.0 DIA X 6.0	23
690472-2	STRIPPER	22
1-18023-1	SCR, SKT HD CAP M4 X 10.0	21
18025-2	WASHER, SPRG LOCK, REG M4	20
690472-1	STRIPPER	19
1338684-1	HOLDER, SHEAR, NO-CUT	17
5-22280-0	SPRING, COMPRESSION	12
356885-4	STOP, SHEAR	11
1320921-1	SHEAR HOLDER, FRONT, CUT	10
462006-1	FLOATING SHEAR, FRONT	9
1633139-3	ANVIL, COMBINATION	8
2-455889-0	DEPRESSOR, SHEAR	5
238011-4	BLOCK, CRIMPER SPACER	4
1-683454-4	CRIMPER, INSULATION O	3
455888-5	SPACER, CRIMPER	2
8-1490019-0	CRIMPER, WIRE PREMIUM	1

TYCO	DESCRIPTION	ITEM NO
1338685-1	PAWL, FEED	56
18024-8	SCR, BTN SKT HD CAP (M4 X 12.0)	54
1-18023-2	SCR, SKT HD CAP M4 X 12.0	53
18030-1	NUT, HEX, REG M3	52
811242-5	BUMPER, HOLD DOWN	51
690753-2	SPACER, TONKER	50
18024-3	SCR, BTN SKT HD CAP (M3 X 10.0)	49
1338675-1	CAM, UNIVERSAL PRE FEED	48
1338676-1	CAM, UNIVERSAL POST-FEED	47
1320999-3	APPLICATOR SUBASSEMBLY, HDI	46
690191-1	PLUG, NYLON	45
1338660-1	RAM	44
2-18024-6	SCR, BTN SKT HD CAP (M8 X 25.0)	41
690125-1	SHIM SUB-ASSY	39
469367-8	SHIM	38
879103-3	DISC, ADJUSTABLE GEITNER	37
1320934-3	SUPPORT, TERMINAL	34
1-18024-0	SCR, BTN SKT HD CAP (M4 X 20.0)	33
18027-2	WASHER, FLAT, REG M4	32
1-18023-2	SCR, SKT HD CAP M4 X 12.0	31
1320908-4	SPACER, STRIP GUIDE	30
1633073-1	STRIP GUIDE ASSEMBLY	29
1-455888-0	SPACER, CRIMPER	28
1-22284-0	SPRING, COMPRESSION	27
356835-1	LEVER, DRAG RELEASE	26
240792-1	DRAG, TERMINAL	25
1320928-5	PLATE, STRIP GUIDE	24
980371-4	SCR, SKT HD SHLDR 5.0 DIA X 6.0	23
690472-2	STRIPPER	22
1-18023-1	SCR, SKT HD CAP M4 X 10.0	21
18025-2	WASHER, SPRG LOCK, REG M4	20
690472-1	STRIPPER	19
1338684-1	HOLDER, SHEAR, NO-CUT	17
5-22280-0	SPRING, COMPRESSION	12
356885-4	STOP, SHEAR	11
1320921-1	SHEAR HOLDER, FRONT, CUT	10
462006-1	FLOATING SHEAR, FRONT	9
1633139-3	ANVIL, COMBINATION	8
2-455889-0	DEPRESSOR, SHEAR	5
238011-4	BLOCK, CRIMPER SPACER	4
1-683454-4	CRIMPER, INSULATION O	3
455888-5	SPACER, CRIMPER	2
8-1490019-0	CRIMPER, WIRE PREMIUM	1

TYCO	DESCRIPTION	ITEM NO
1338685-1	PAWL, FEED	56
18024-8	SCR, BTN SKT HD CAP (M4 X 12.0)	54
1-18023-2	SCR, SKT HD CAP M4 X 12.0	53
18030-1	NUT, HEX, REG M3	52
811242-5	BUMPER, HOLD DOWN	51
690753-2	SPACER, TONKER	50
18024-3	SCR, BTN SKT HD CAP (M3 X 10.0)	49
1338675-1	CAM, UNIVERSAL PRE FEED	48
1338676-1	CAM, UNIVERSAL POST-FEED	47
1320999-3	APPLICATOR SUBASSEMBLY, HDI	46
690191-1	PLUG, NYLON	45
1338660-1	RAM	44
2-18024-6	SCR, BTN SKT HD CAP (M8 X 25.0)</	