

VL series

Professional LED indicators

Distinctive features and specifications

- Indicators with red, yellow or green built-in LED
- Antirootation flatted bushing
- 2 bushing diameters : 6 mm (.236) and 8 mm (.314)
- Sealed or unsealed
- Bright or matt black chrome finish

ELECTRICAL SPECIFICATIONS

- Insulation resistance : 1.000 M Ω min.
- Dielectric strength : 250 Vrms 50 Hz min.
- Electrical life at high temperature : 72 H at 85°C

LED specifications (TA 25°C)

- Forward voltage : 2VDC ($\leq 2,6V$)
- Nominal current : 10mA
- Max. surge current ($t_p < 10\mu s$) : 0,5A
- Max. reversed voltage : 25V
- Max. forward current : 40mA
- Max. power dissipation : 100mW
- Correct polarity of D.C supply to diode electrodes must be observed :
 - longer lead : anode (+)
 - shorter lead : cathode (-) on flat side of bushing (see drawings).
- The LED is not removable.

MATERIALS

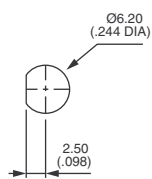
- Bushing and collar : brass, bright or matt black chrome plated
- Lens : polycarbonate
- LED

GENERAL SPECIFICATIONS

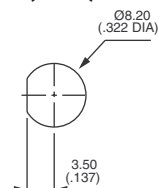
- Torque : 1,25 Nm (.922 Ft.lb) max. applied to nut
- Climatic category : 40/085/21
- Protection level for sealed models: IP 67 according to IEC 529
- In accordance with NFC 93680 standard

PANEL CUT-OUT

For \varnothing 6 (.236)

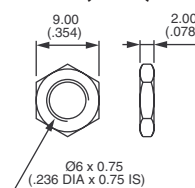


For \varnothing 8 (.314)

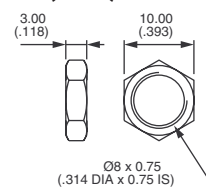


STANDARD HARDWARE

For \varnothing 6 (.236)



For \varnothing 8 (.314)



ABOUT THIS SERIES

Complete part numbers are shown on the following pages.

Dimensions : first dimensions are in mm while inches are shown as bracketted numbers.



Mounting accessories : standard hardware supplied with all models : nickel plated hex nut 9 mm (.354) across flats for indicators \varnothing 6 (.236) or 10 mm (.393) across flats for indicators \varnothing 8 (.314).



Packaging unit : 50 pieces.

VL series

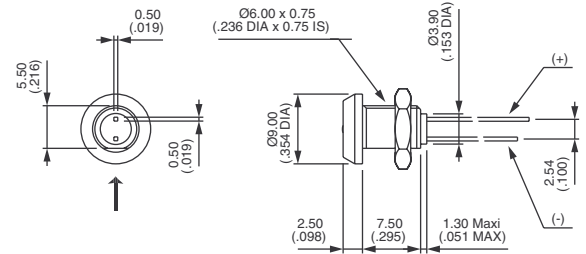
Professional LED indicators

Diameter 6 (.236) - unsealed



LED colour	Bright finish (standard)	Matt black finish
Red	VL1000P600	VL100GP600
Yellow	VL1000P500	VL100GP500
Green	VL1000P300	VL100GP300

→ Flat



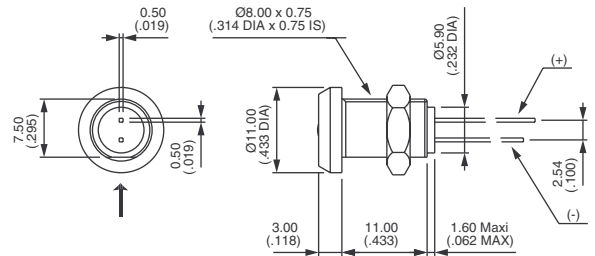
Max. panel thickness 5,50 (.216)

Diameter 8 (.314) - unsealed



LED colour	Bright finish (standard)	Matt black finish
Red	VL3000P600	VL300GP600
Yellow	VL3000P500	VL300GP500
Green	VL3000P300	VL300GP300

→ Flat



Max. panel thickness 8 (.314)

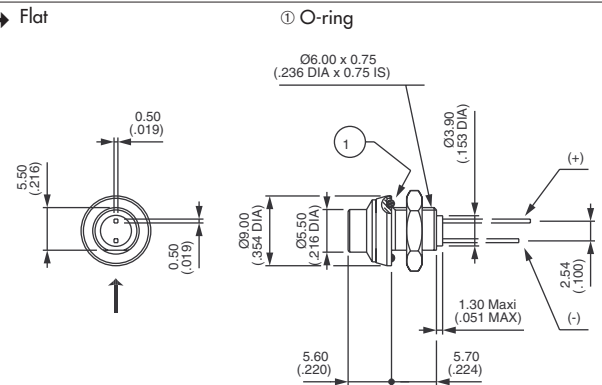
Diameter 6 (.236) - sealed



LED colour	Bright finish	Matt black finish (standard)
Red	VL1CK0P600	VL1CKGP600
Yellow	VL1CK0P500	VL1CKGP500
Green	VL1CK0P300	VL1CKGP300

Lens cap in the same colour as the LED.

→ Flat



Max. panel thickness 3,70 (.145)

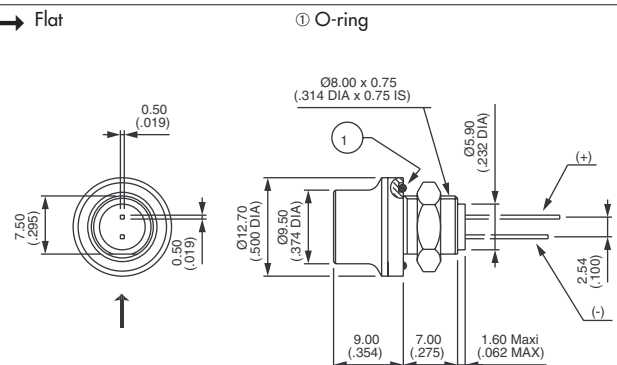
Diameter 8 (.314) - sealed



LED colour	Bright finish	Matt black finish (standard)
Red	VL3CK0P600	VL3CKGP600
Yellow	VL3CK0P500	VL3CKGP500
Green	VL3CK0P300	VL3CKGP300

Lens cap in the same colour as the LED.

→ Flat



Max. panel thickness 4 (.157)

Option : Bushing without flat, lockwasher : on request.