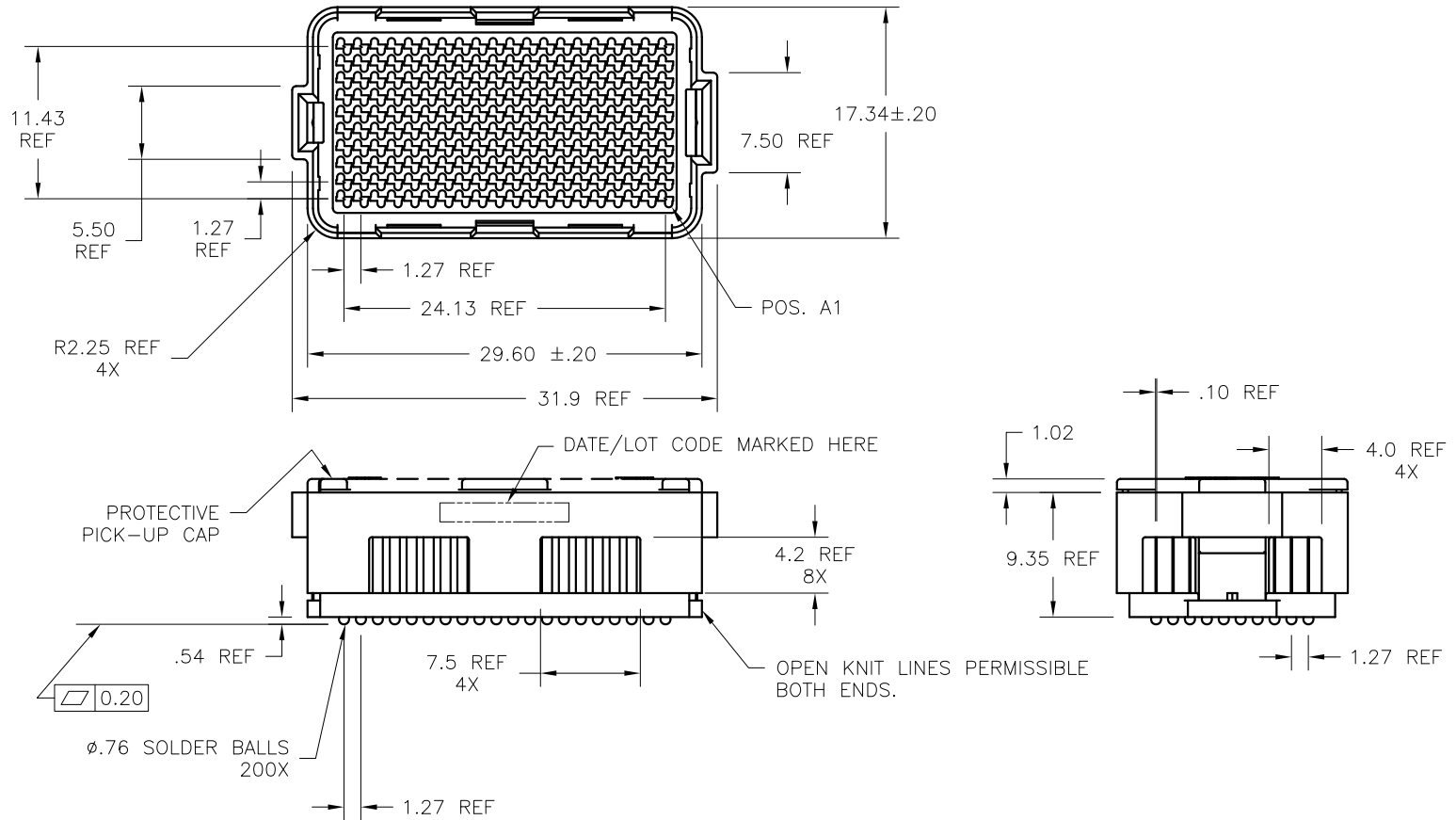


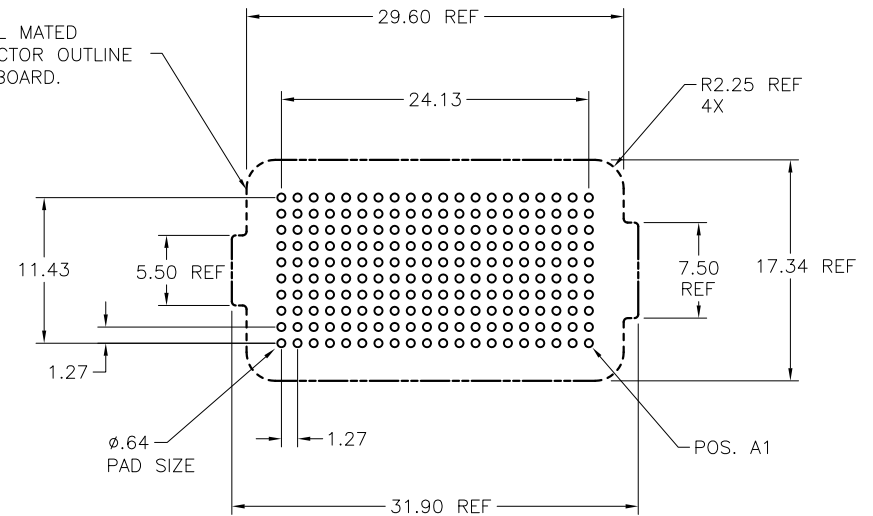
PRODUCT NUMBER
SEE TABLE- SHEET 2



mat'l. code				surface		tolerance		projection		product family	
SEE NOTE 1				ASME Y14.5		ASME Y14.5		MM		MEG-Array	
ltr	ec'n no	dr	date	tolerances unless otherwise specified		angles		scale 1:1		title	
H	V11-0029	HTB	2011-06-06			X ±3				6.0mm PLUG ASSEMBLY	
J	V12-0024	HTB	2012-04-03			XX ±10				10 X 20 = 200 POSITIONS	
K	V12-0030	RE	2012-08-06			0° ±2'				dwg no	
L	V12-0048	DCH	2012-11-20	dr	D. WAUGHEN	1999-09-08		FCI		sheet 1 of 3 size	
-	-	-	-	engr	B. SPINK	1999-09-08				84530 A4	
F	V06-0560	LP	2006-07-14	chr	B. SPINK	1999-09-08				type	
G	V07-0641	LP	2007-10-23	appd	B. SPINK	1999-09-08				CUSTOMER Drawing	
sheet	revision	L	L	L							
index	sheet	1	2	3							

PRODUCT NO.	PICK-UP CAP (NATURAL OR BLACK COLOR)	CONTACT PLATING AND THICKNESS	SOLDER BALL	NOTES
84530-002	YES	15μ" (.38μm) Au	SnPb	
84530-002LF	YES	15μ" (.38μm) Au	LEAD FREE	6
84530-092	YES	15μ" (.38μm) GXT	SnPb	
84530-092LF	YES	15μ" (.38μm) GXT	LEAD FREE	6
84530-102	YES	30μ" (.76μm) Au	SnPb	
84530-102LF	YES	30μ" (.76μm) Au	LEAD FREE	6
84530-192	YES	30μ" (.76μm) GXT	SnPb	
84530-192LF	YES	30μ" (.76μm) GXT	LEAD FREE	6
84530-202	YES	50μ" (1.27μm) Au SPECIAL	SnPb	3 AND 4
84530-202LF	YES	50μ" (1.27μm) Au SPECIAL	LEAD FREE	3, 4 AND 6
84530-292	YES	50μ" (1.27μm) GXT SPECIAL	SnPb	3 AND 4
84530-292LF	YES	50μ" (1.27μm) GXT SPECIAL	LEAD FREE	3, 4 AND 6
84530-A02	YES	30μ" (.76μm)	SnPb	7
84530-A02LF	YES	30μ" (.76μm)	LEAD FREE	6 AND 7
84530-302	YES	15μ" (.38μm) Au SPECIAL	SnPb	7
84530-302LF	YES	15μ" (.38μm) Au SPECIAL	LEAD FREE	6 AND 7
84530-402	YES	30μ" (.76μm) Au SPECIAL	SnPb	7
84530-402LF	YES	30μ" (.76μm) Au SPECIAL	LEAD FREE	6 AND 7
84530-502	YES	Au SPECIAL	SnPb	3, 4 AND 7
84530-502LF	YES	Au SPECIAL	LEAD FREE	3, 4, 6 AND 7

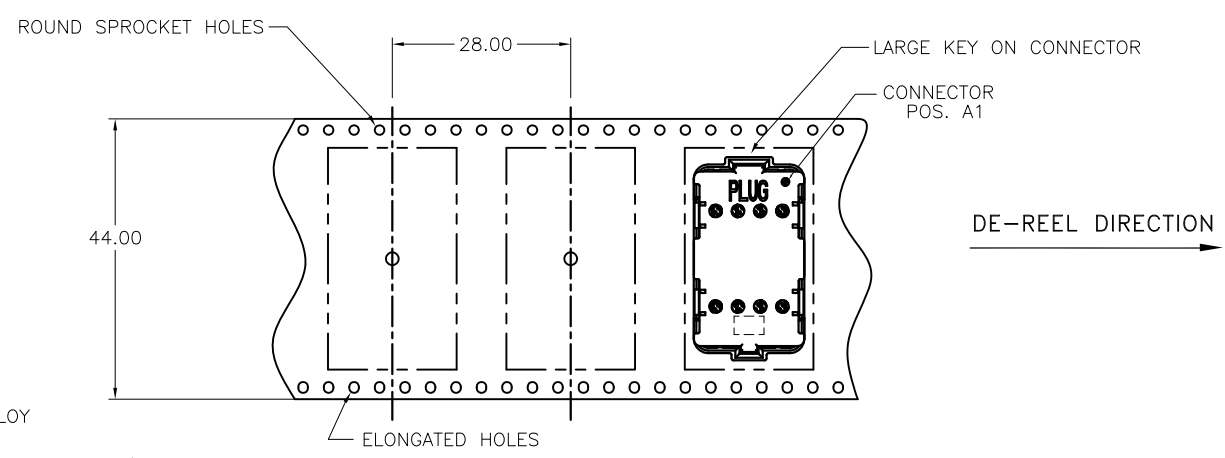
STENCIL MATED CONNECTOR OUTLINE ONTO BOARD.



BOARD PATTERN

mat'l. code		surface		tolerance		projection		product family	
SEE NOTE 1		ASME Y14.5		ASME Y14.5				MEG-Array	
ltr	ecn no	dr	date	tolerances unless otherwise specified		MM		title	
				angles	XXX ±.10	scale 1:1		6.0mm PLUG ASSEMBLY	
				0° ±2'	XXX ±.050			10 X 20 = 200 POSITIONS	
		dr	D. WAUGHEN	1999-09-08			dwg no		sheet 2 of 3
		enr	B. SPINK	1999-09-08			84530		A4
		chr	B. SPINK	1999-09-08			type		CUSTOMER Drawing
		appd	B. SPINK	1999-09-08					
sheet index	revision sheet								

PRODUCT NUMBER
SEE TABLE-SHEET 2



NOTES:

- ①. MATERIAL:
HOUSING: LCP
CONTACT: COPPER ALLOY

PLATING:
CONTACT: (SEE TABLE ON SHEET 2)
SOLDER BALL: (SEE TABLE ON SHEET 2)
EUTECTIC SnPb OR LEAD FREE
95.5Sn/4Ag/0.5Cu
- 2. OVERALL BOARD-TO-BOARD STACK HEIGHTS
AVAILABLE USING THIS CONNECTOR (84530):

MATED HEIGHT	WITH RECPT. P/N	-2XX PLATING
10mm	84517	SEE NOTE 2
12mm	55724	
14mm	84535	SEE NOTE 3

- ③. PLATING FOR INDICATED -2XX SERIES PART NOS.
MEET THE REQUIREMENTS OF GR-1217-CORE,
CENTRAL OFFICE ENVIRONMENT, (25 YEAR LIFE EXPECTANCY).
- ④. PLATING FOR INDICATED -2XX SERIES PART NOS. IS
Au OVER Ni WITH SPECIAL CONTACT GEOMETRY TO MEET
REQUIREMENTS OF TELCORDIA GR-1217-CORE:
CENTRAL OFFICE ENVIRONMENT.
- ⑤. FOR PROPER APPLICATION FOLLOW FCI APPLICATION
SPECIFICATION GS-20-033 LEAD FREE SOLDER BALLS WILL
NOT SOLDER PROPERLY IN A LEADED SOLDER PROCESS
DUE TO A HIGHER REFLOW TEMPERATURE. LEAD FREE
PRODUCT IS THEREFORE NOT BACKWARDS COMPATIBLE WITH
LEADED OR SOME SOLDERING APPLICATIONS. REFERENCE
FCI APPLICATION SPECIFICATION.

- ⑥. THIS PRODUCT MEETS EUROPEAN UNION DIRECTIVES AND
OTHER COUNTRY REGULATIONS AS DESCRIBED IN GS-47-0004
PRODUCT MEETING THIS DIRECTIVE IS IDENTIFIED IN THE LOT
CODE NUMBER MARKED ON EACH PART BY HAVING AN "X"
IN THE SEVENTH CHARACTER POSITION.
- ⑦. 84530-A02 AND -A02LF ARE CUSTOMER SPECIALS.

12. A Δ SYMBOL WILL BE NEXT TO ANY DIMENSION, NEW VIEW OR
NOTE WHICH HAS BEEN MODIFIED WITH THE CURRENT
DRAWING REVISION

mat'l. code		surface		tolerance		projection		product family		
SEE NOTE 1		ASME Y14.5		ASME Y14.5				MEG-Array		
ltr	ecn no	dr	date	tolerances unless otherwise specified				title		
L				angles	mm	X +3		6.0mm PLUG ASSEMBLY		
				0° ±2'		XX ±.10		10 X 20 = 200 POSITIONS		
						XXX ±.050		scale 1:1		
		dr	D. WAUGHEN	1999-09-08			dwg no		sheet 3 of 3	size
		engr	B. SPINK	1999-09-08			84530		A4	
		chr	B. SPINK	1999-09-08			type		CUSTOMER Drawing	
		appd	B. SPINK	1999-09-08						
sheet	revision									
index	sheet									