



Screw Connectors for Printed Circuit Boards

TYPE 951 (-DS)

5 mm spacing - 2 to 32 poles



Distributor Stock Check

Series	Download PDF	3D Model	Can plug with	How to order	Color specifications
--------	--------------	----------	---------------	--------------	----------------------



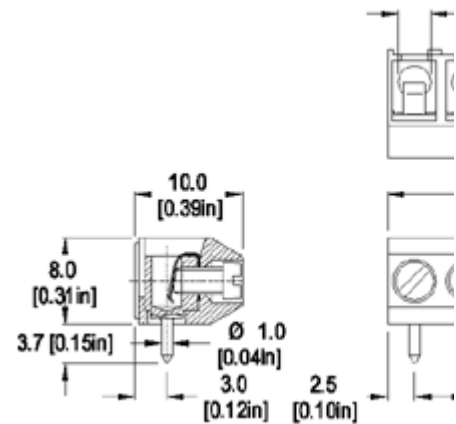
RoHS WEEE Pb free surface compliant

Description

- Solid version
- Low profile
- Wire entrance perpendicular to PC Board

Technical Data

Center to Center Spacing: 5 mm (0.197 in.)
Nominal Cross Section: 1.5 mm² (2325 mils²)
Wire Stripping Length: 6 mm (0.25 in.)
Recommended Hole Diameter in PC Board: 1.3 mm (0.051 in.)



Dimensions: mm (in.)

Length of Connector (L)
 L = No. of Poles x Center to Center S

When locating connector, allow 0.5 mm around it for process-induced vari

Approval Information

UL File No.E69841
 CSA File No.LR24322

Rating	Current(A)	Voltage(V)	Applicatic group
UL	15	300	B
CSA	15	300	B

* Version DS is CSA certified for 26-14 A/

Screw Tightening Torque:

UL: 3.5 lbfin
 CSA: 0.4 Nm

International Approvals:



Rated Impulse Withstand Voltage: 25

Material

Version: 2 to 8 poles
Molding: Polyamide, self extinguishing UL color grey
Temperature limits:
Short Time: 140°C (284°F)
Continuous: RTI 105°C (221°F)
Low Limit: -40°C (-40°F)
Comparative Tracking Index: CTI ≥ 60
Oxygen Index Rating: 32%

Version: 9 to 32 poles
Molding: Polyamide (glass fiber reinforced) extinguishing UL 94, V-0, color grey
Temperature limits:
Short Time: 200°C (392°F)
Continuous: RTI 105°C (221°F)
Low Limit: -40°C (-40°F)
Comparative Tracking Index: CTI > 1
Oxygen Index Rating: 33%

Terminal Body: Tin plated copper alloy
Wire Protector: Tin plated copper alloy
Screw: M2.6, Slotted head, zinc plated brass passivated, steel substrate
Solder Pin: Ø 1.0 mm (0.04 in.), Tin plated alloy

Top of page

How to order

Item — 951 (-DS)

Options

- CN: Consecutive Numbering (hot stamped numbers)
- SM: Special Marking (please provide sketch)
- BS: Copper Alloy Screw
- PS: Zinc plated clear Passivated, steel substrate
- G05: Gold Plating (5 micro inches)
- G30: Gold Plating (30 micro inches)
- S30: Silver Plating (30 micro inches)

- Request sample**
- Request quote**

Quantity

Accessories
[BST Self Adhesive Marking Consecutively numbered Jumper, Type 970-J1.](#)

Note: Plated component: terminal body

Ordering Note: Voltage rating for 10 mm spacing is UL certified for 15A - 300V / B and for 10A - 300V / D (953 (-DS)).

951

WIRE PROTECTOR:
with: - DS

POLES:
02 to 32

Add to shopping cart