

TOLC SERIES

(1.27 mm) .050"

QUAD ROW SMT TERMINAL

SPECIFICATIONS

For complete specifications and recommended PCB layouts see www.samtec.com?TOLC

Insulator Material:
Black Liquid Crystal Polymer
Terminal Material:
Phosphor Bronze
Plating:
Au over 50 μ" (1.27 μm) Ni
Current Rating:
2.4 A per pin
(6 adjacent pins powered)
Operating Temp Range:
-55 °C to +125 °C
RoHS Compliant:
Yes

Mates with:
SOLC

PROCESSING

Lead-Free Solderable:
Yes
SMT Lead Coplanarity:
(0.10 mm) .004" max (05-30)
(0.15 mm) .006" max (35-50)*
*(.004" stencil solution may be available; contact IPG@samtec.com)

RECOGNITIONS

For complete scope of recognitions see www.samtec.com/quality



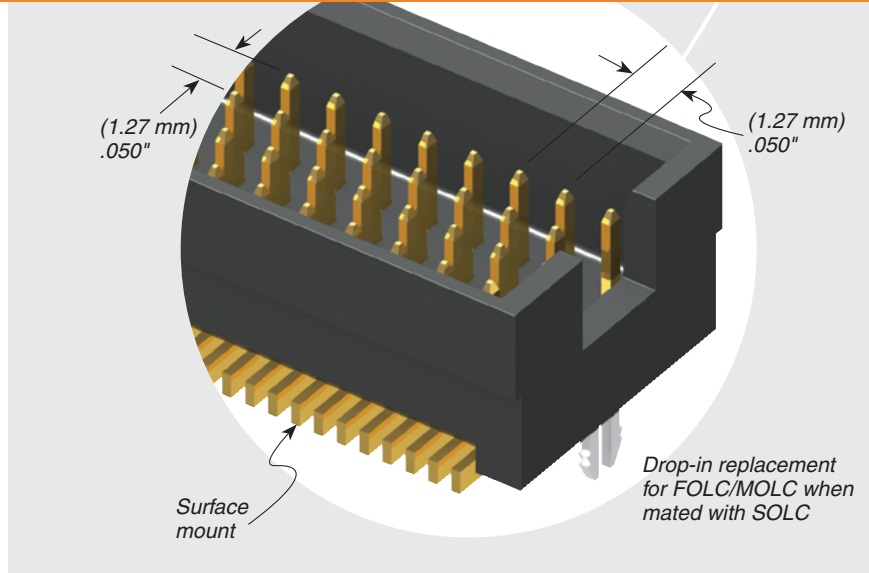
OTHER SOLUTIONS

- For Micro Rugged, see the MOLC/FOLC pages located in the Tiger Eye™ section.

ALSO AVAILABLE (MOQ Required)

- Other sizes
- Other platings

Note:
Some sizes, styles and options are non-standard, non-returnable.



05, 10, 15, 20, 25, 30, 35, 40, 45, 50
(Standard sizes)

Specify LEAD STYLE from chart

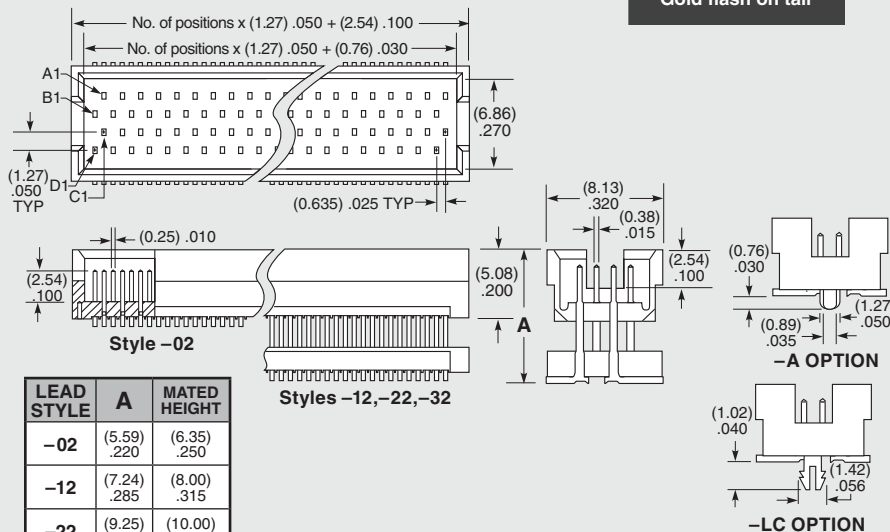
-F
= Gold flash on post, Gold flash on tail
-L
= 10 μ" (0.25 μm) Gold on post, Gold flash on tail

-A
= Alignment Pin (Not available with -LC)

-LC
= Locking Clip (Not available with -A) (Manual placement required)

-K
= (9.00 mm) .354" DIA Polyimide film Pick & Place Pad

-TR
= Tape & Reel



LEAD STYLE	A	MATED HEIGHT
-02	(5.59) .220	(6.35) .250
-12	(7.24) .285	(8.00) .315
-22	(9.25) .364	(10.00) .394
-32	(11.23) .442	(12.00) .472

Due to technical progress, all designs, specifications and components are subject to change without notice.

WWW.SAMTEC.COM

All parts within this catalog are built to Samtec's specifications. Customer specific requirements must be approved by Samtec and identified in a Samtec customer-specific drawing to apply.