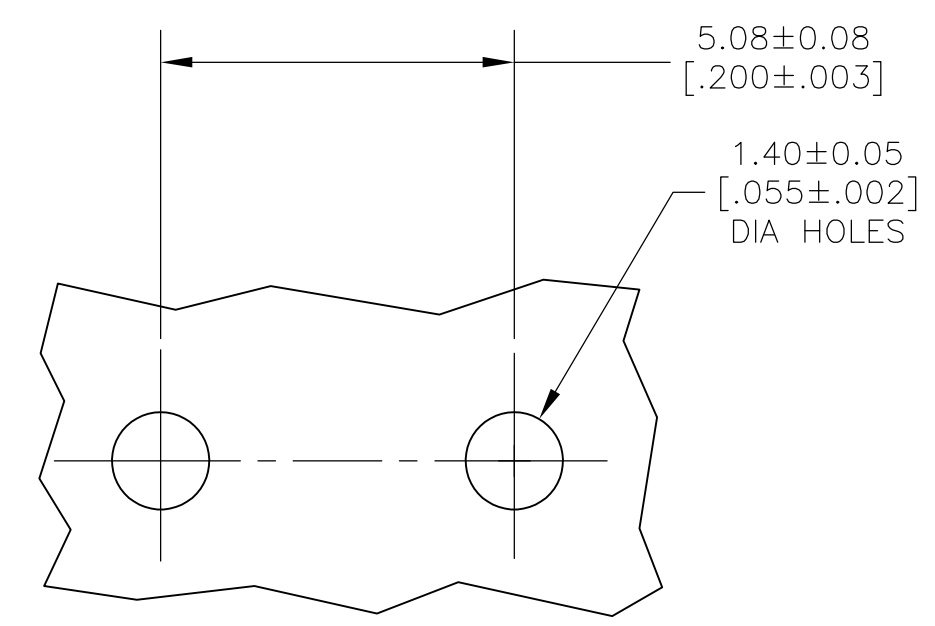
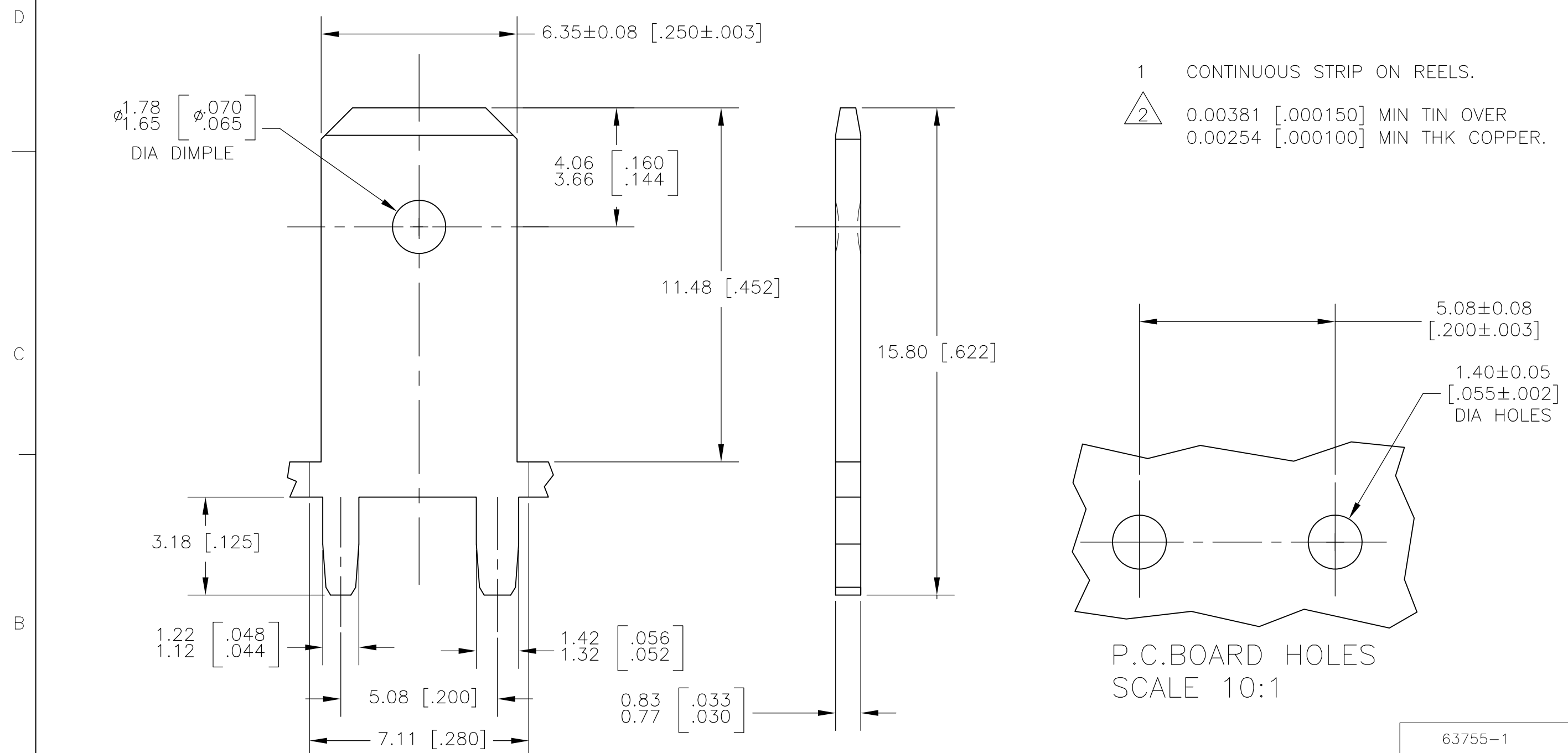


THIS DRAWING IS UNPUBLISHED. RELEASED FOR PUBLICATION
 © COPYRIGHT - By - ALL RIGHTS RESERVED.

LOC	DIST	REVISIONS			
P	LTR	DESCRIPTION	DATE	DWN	APVD
AF	50	F	REVISED PER ECR-13-001204	21JUN13	KH PD



63755-1
PART NUMBER

THIS DRAWING IS A CONTROLLED DOCUMENT.		DWN	JR RUTH	30NOV00	 TE Connectivity	NAME		TAB, FASTON, PC BOARD, 6.35 [.250] SERIES			
DIMENSIONS: mm[INCHES]		CHK	MS FEHER	30NOV00		PRODUCT SPEC		SIZE	CAGE CODE	DRAWING NO	
TOLERANCES UNLESS OTHERWISE SPECIFIED:		APVD	G PORTA	30NOV00		APPLICATION SPEC		A3	00779	C-63755	
0 PLC ± - 1 PLC ± - 2 PLC ± 0.38 [.015] 3 PLC ± - 4 PLC ± - ANGLES ± -		MATERIAL		WEIGHT		RESTRICTED TO		—			
MATERIAL BRASS		FINISH TIN OVER COPPER		CUSTOMER DRAWING		SCALE	8:1	SHEET	1 of 1	REV	F