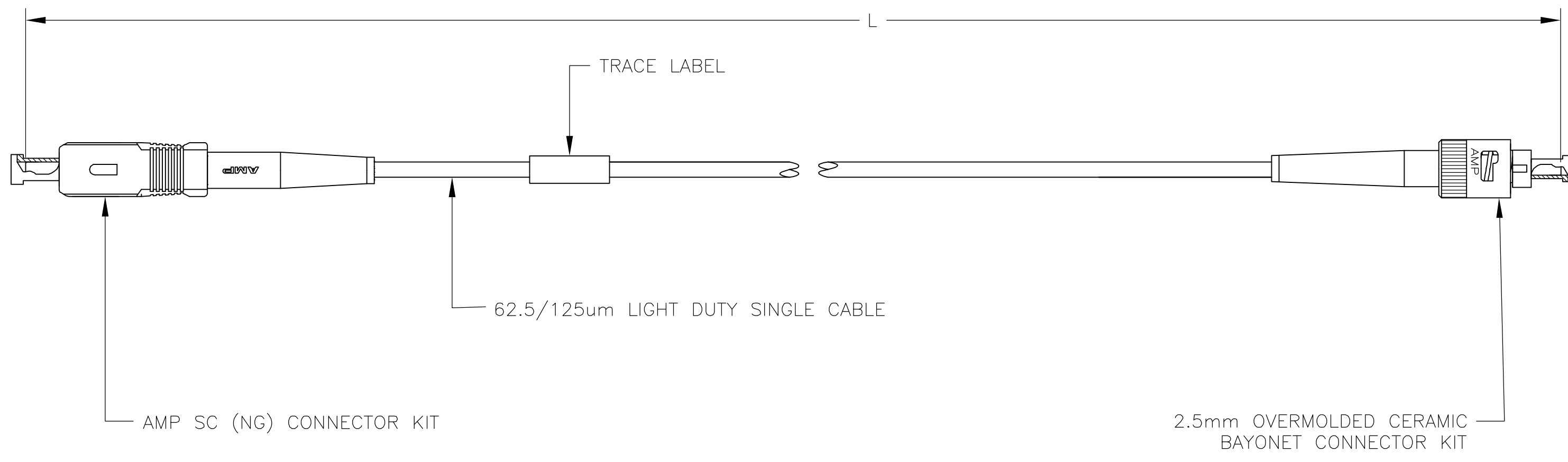


THIS DRAWING IS UNPUBLISHED. RELEASED FOR PUBLICATION
 © COPYRIGHT BY TYCO ELECTRONICS CORPORATION. ALL RIGHTS RESERVED.

LOC	DIST	REVISIONS			
P	LTR	DESCRIPTION	DATE	DWN	APVD
CE	16	A	RELEASED PER NPR	01 FEB 06	CSV JD



- 1. MAXIMUM INSERTION LOSS IS 0.5dB PLUS CABLE ATTENUATION OF 1.5dB/km AT 1300nm (SEE TABLE)
- 2. PRODUCT AND PROCESSING MUST MEET REQUIREMENTS OF THE TYCO ELECTRONICS STANDARD 230-702

0.50	4.00±0.08 [157.5±3.0]	1-5504972-3
0.50	6.1±0.08 [240±3]	1-5504972-2
0.65	100±1.0 [3937±39]	1-5504972-1
0.60	70±0.70 [2756±28]	1-5504972-0
0.59	60±0.60 [2362±24]	5504972-9
0.57	50±0.50 [1969±20]	5504972-8
0.53	20±0.3 [787±12]	5504972-7
0.52	15±0.15 [591±6]	5504972-6
0.51	10±0.15 [394±6]	5504972-5
0.50	5±0.08 [197±3]	5504972-4
0.50	3±0.05 [118±2]	5504972-3
0.50	2±0.05 [79±2]	5504972-2
0.50	1±0.05 [39±2]	5504972-1
MAX IL (dB)	L	PART NUMBER

THIS DRAWING IS A CONTROLLED DOCUMENT.		DWN C.S.VASU 01 FEB 06	Tyco Electronics Corporation Harrisburg, Pa 17105-3608	
DIMENSIONS: METERS [INCHES]		CHK J.DUNCAN 01 FEB 06		
TOLERANCES UNLESS OTHERWISE SPECIFIED:		APVD J.DUNCAN 01 FEB 06	NAME CABLE ASSY, FIBER OPTIC, 62.5/125µm LDS,ds, AMP SC (NG) TO 2.5mm OVERMOLDED CERAMIC BAYONET, OPTIMATE	
0 PLC ± - 1 PLC ± - 2 PLC ± - 3 PLC ± - 4 PLC ± - ANGLES ± - FINISH -		PRODUCT SPEC -	SIZE A2	CAGE CODE 00779
MATERIAL -		WEIGHT -	DRAWING NO C=5504972	RESTRICTED TO -
CUSTOMER DRAWING			SCALE NTS	SHEET 1 OF 1
			REV A	

5504972