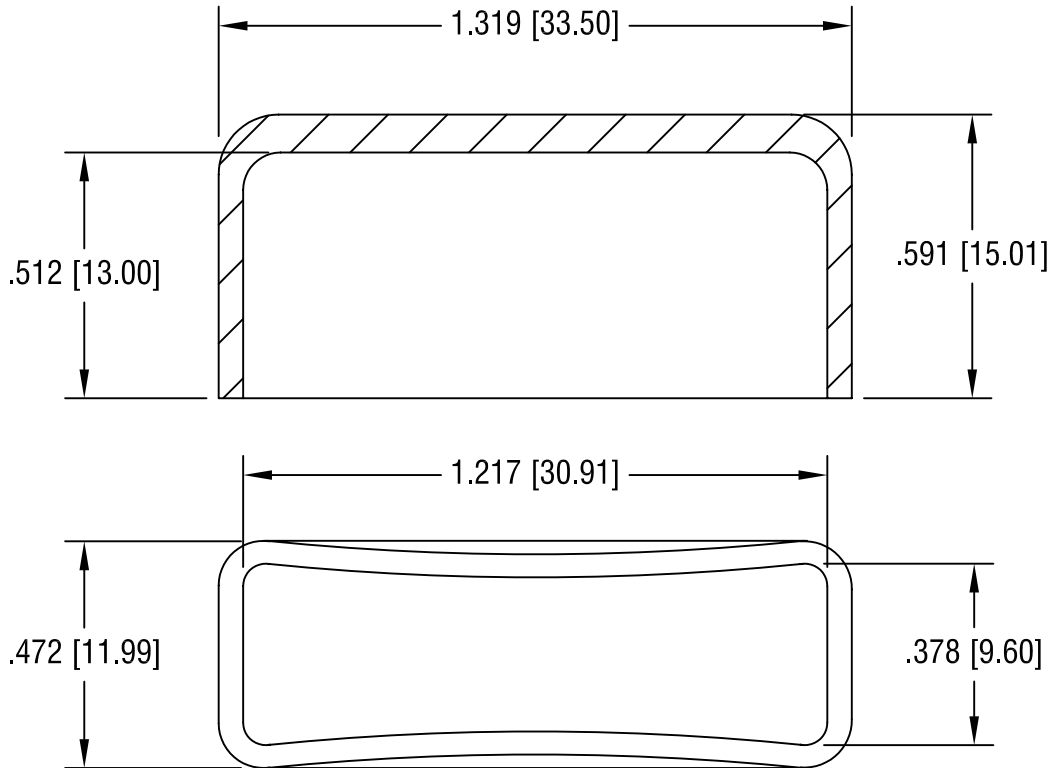


THIS DOCUMENT IS THE PROPERTY OF  
KEYSTONE ELECTRONICS CORP. AND  
SHALL NOT BE REPRODUCED, DISTRIBUTED  
OR USED AS A BASIS FOR MANUFACTURE  
WITHOUT PRIOR WRITTEN PERMISSION  
FROM KEYSTONE ELECTRONICS CORP.



**KEYSTONE ELECTRONICS CORP.**

ASTORIA, N.Y. 11105-2017

PART NAME

3AG FUSE HOLDER COVER

MATERIAL

PVC UL 94V-0

FINISH

-

DRN BY

BOONE

DATE

4.23.98

APPD

LN

SCALE

2.5X

TOLERANCES

INCH [MM]

DECIMAL  $\pm .032$  [ $\pm 0.81$ ]

ANGULAR  $\pm 1^\circ$

UNLESS OTHERWISE SPECIFIED

CODE

C/M

DWG NO.

4245C

2.18.04 CHANGE AS PER ECN 04-014

A

DATE

DESCRIPTION

REV.