

Industrial Aluminum PPC-37 Series

PPC-3712

Intel® Celeron® M/Intel® Atom™ N270 Processor with 12.1" SVGA / XGA TFT LCD and Touchscreen



Features

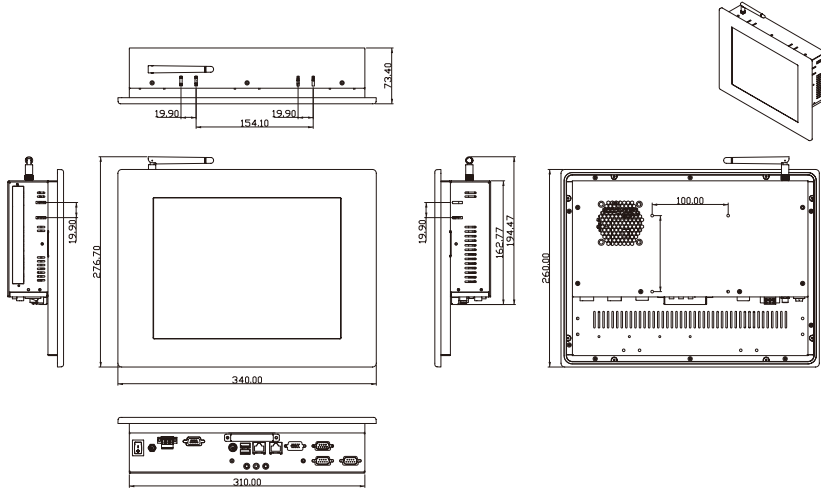
1. 12.1" TFT SVGA/XGA LCD
2. Supports 2 GB (max.) 400/533 MHz DDRII SO-DIMM
3. Dual Gigabit Ethernet
4. Fanless and ultra-low power consumption
5. Optional 802.11 b/g wireless LAN module
6. One CompactFlash® Type II socket
7. IP 65 compliant aluminum die-casting front panel



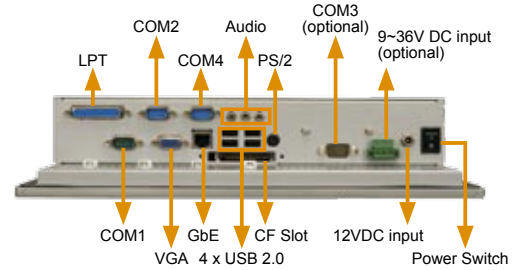
Specifications

		PPC-3712GS/8522	PPC-3712GXS/8522	PPC-3712GXS/9452	PPC-3712A/ATOM	PPC-3712B/N270	
Display	LCD Size					12.1"	
	Max Resolution	800(W) x 600(H)		1024(W) x 768(H)			
	Brightness (cd/m²)	400		450			
	Contrast Ratio	500:1		700:1			
	LCD Color	262K					
	Pixel Pitch (mm)	0.240(H) x 0.240(V)					
	Viewing Angle (H-V)	140° /110°		160° /160°			
Backlight MTBF (hrs)	50,000						
Motherboard	SBC Model	NANO-8522		NANO-9452	NANO-ATOM-N270	NANO-ATOM-N270	
	CPU	Socket 479 2.1GHz (max.) Intel® Pentium® M / Celeron® M with 400 MHz 1 GHz or 600 MHz Intel Celeron zero cache CPU		Socket M Intel® Core™2 Duo, Core Duo, Core Solo with 667MHz FSB Intel® Celeron® M 533MHz FSB	Intel® Atom™ process N270 1.6GHz CPU		
	Chipset	Intel® 852GM + ICH4		Intel® 945GM + ICH7M	Intel® 945GSE + ICH7M	Intel® 945GSE + ICH7M	
	RAM	Supports one 266/200MHz DDR SO-DIMM (1GB Max.)		Supports one 400/533/667 MHz DDRII SO-DIMM (1GB Max.)	Supports one 400/533MHz DDRII SO-DIMM (2GB Max.)	Supports one 400/533MHz DDRII SO-DIMM (2GB Max.)	
I/O Ports and Switches		3 x RS232 COM Port (One optional for Touch Screen) 1 x RS-232/422/485 Port 1 x RJ-45 for LAN Port 4 x USB 2.0 1 x VGA Port 1 x Audio (Line-in, Line-out, MIC-in) 1 x PS/2 (KB/MS) 1 x LPT 1 x 12VDC input Power Jack 1 x Power Switch 1 x 9~36VDC input Terminal block (Optional)		2 x RS232 COM Port 1 x RS-232/422/485 Port 2 x RJ-45 for LAN Port 2 x USB 2.0 1 x VGA Port 1 x Audio (Line-in, Line-out, MIC-in) 1 x PS/2 (KB/MS) 1 x 12VDC input Power Jack 1 x Power Switch	2 x RS232 COM Port 1 x RS-232/422/485 Port 2 x RJ-45 for LAN Port 2 x USB 2.0 1 x VGA Port 1 x Audio(Line-in, Line-out, MIC-in) 1 x PS/2 (KB/MS) 1 x 12VDC input Power Jack 1 x Power Switch	2 x RS232 COM Port 1 x RS-232/422/485 Port 2 x RJ-45 for LAN Port 4 x USB 2.0 1 x VGA Port 1 x Audio(Line-in, Line-out, MIC-in) 1 x PS/2 (KB/MS) 1 x 12VDC input Power Jack 1 x Power Switch	
		1 x 2.5" SATA/IDE HDD Bay		1 x 2.5" SATA HDD bay with anti-shook			
Driver Bay	HDD Driver Bay	1 x 2.5" SATA/IDE HDD Bay		1 x 2.5" SATA HDD bay with anti-shook			
	SSD	CF Type II					
Extension Slot	CD-ROM Driver Bay			Slim Type CD-ROM Bay		N/A	
		N/A		1 x Wireless Lan 802.11 b/g Module (internal Mini PCIe interface)			
Physical	Construction Front Panel	Aluminum					
	Construction Chassis	Heavy-duty Steel					
	Mounting	Panel, Wall, Rack, Stand and Arm VESA 100mm x 100mm					
	Front Panel Color	Silver (Pantone 8001C)					
	Dimensions (WxHxD) (mm)	340 x 260 x 73.4					
Environment	Net Gross Weight	6 Kg / 8 Kg					
	Operation Temperature (°C)	-10°C ~50°C					
	Storage Temperature (°C)	-20°C ~60°C					
	Vibration	5~17Hz, 0.1" double amplitude displacement, 17~640Hz, 1.5G acceleration peak to peak 10G acceleration part to part (11ms)					
Shock							
Touch Screen	Resistive Type 5-Wire with RS-232 interface						
Power Supply		For BGA Model - P/N: 63000-FSP0601AD101C746-RS - 60W Power Adapter - Input: 90VAC~264VAC, 50/60Hz - Output: 12VDC For Socket Model - P/N: 63000-FSP0841ADC11118-RS - 84W Power Adapter - Input: 90VAC~264VAC, 50/60Hz - Output: 12VDC		Power Adapter - P/N: 63000-FSP0841ADC11118-RS - 84W Power Adapter - Input: 90VAC~264VAC, 50/60Hz - Output: 12VDC	Power Adapter - P/N: 63000-FSP0601AD101C746-RS - 60W Power Adapter - Input: 90VAC~264VAC, 50/60Hz - Output: 12VDC	For AT AC Input model: - P/N: ACE-890A-RS - 86W Power Supply - Input: 90VAC ~ 264VAC - Output: 12VDC For ATX DC Input model: - P/N: ACE-709TX-RS - 90W Power Supply - Input: 36VDC ~ 72VDC - Output: 12VDC	
		IP65 Compliant					
Front Panel Protection	Meets CE, FCC						
Certificate							
Ethernet	Intel 82541PI for GbE Intel 82551ER for 10/100Mbps		Dual PCIe Broadcom BCM5787M GbE chipsets with ASF2.0 remote control support		Dual Realtek RTL8111CP GbE Controllers		
Audio	AC' 97 2.3 Realtek ALC 655						

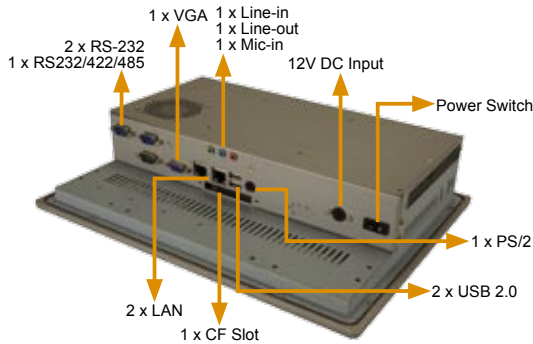
Dimensions (Unit: mm)



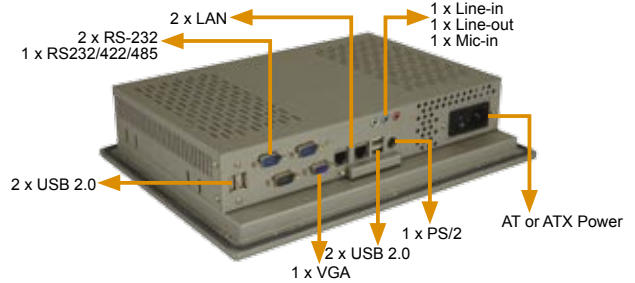
▼ **PPC-3712GS/8522**



▼ **PPC-3712A, PPC-3712GXS/9452**



▼ **PPC-3712B**



IEI's New PPC-3712BA/BT Supports More Features as :



AC Input Directly

85~264V AC or 36~72 V DC power supply built in without external power adapter

DC 48V Input



All New Power Selection

A: PPC-3712BA/NANO-ATOM/ACE-890A

ACE-890A
86 W AC-DC Open Frame AT Power Supply



Input Type	85 ~ 264 VAC Full Range		
Output Voltage	+5 V	+12 V	-12V
ACE-890A	10A	2.5 A	0.5A
Efficiency	70%		
Temperature	Operating : 0 °C ~ 50 °C Storage : -20 ~ 85 °C		
MTBF(hrs)	268,000(ACE-890A)		

B: PPC-3712BT/NANO-ATOM/ACE-709TX

ACE-709TX
DC Input Open Frame ATX Power

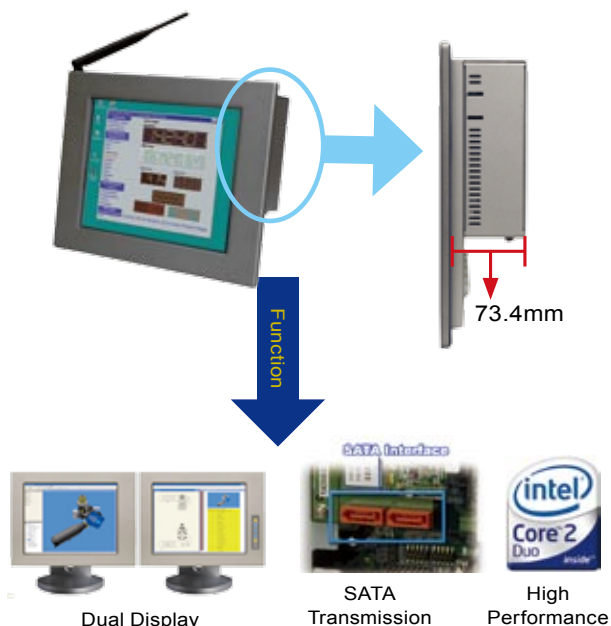


Input Type	36 ~ 72 VDC (ACE-709TX)			
Output Voltage	+5 V	+12 V	-12V	+5 Vsb
ACE-890A	10A	2.5 A	0.5A	0.5A
Efficiency	70%			
Temperature	Operating : -20 °C ~ 70 °C Storage : -20 °C ~ 85 °C			
MTBF(hrs)	170,000 (ACE-709TX)			

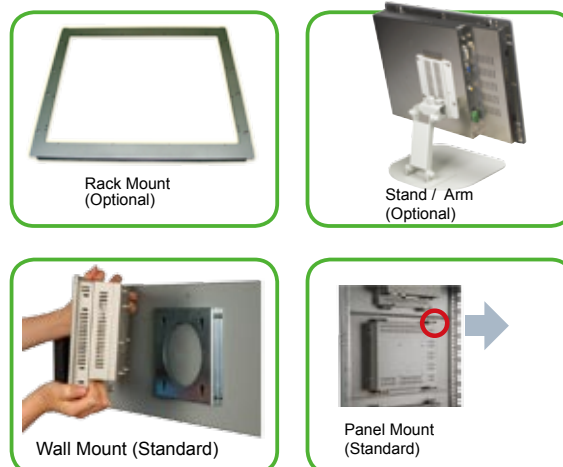


High Performance & Compact Size

High performance and compact size allow users to set up the PPC-3712GS in a wide range of applications



IQ Mount Supporting List



Packing List

Description	Part Number	Amount
CD-ROM Installation Kit	19B00-000032-RS	1
Power Cord	32000-000002-RS	1
PS/2 Cable	32000-000138-RS	1
Jumper Pack	33100-000033-RS	1
Power Adapter (For GS Model Only)	63000-FSP0601AD101C746-RS - 60W 63000-FSP0841ADC11118-RS - 84W ACE-890A-RS - 86W ACE-709TX-RS - 90W	1
Screw Kit	19600-000207-RS	1
HDD IDE Cable	32200-074000-RS (PPC-3712GHS/8522)	1
Panel Mounting Kit	PK-121M	1
Panel Mounting Bracket	41019-0 45J4-00-RS	4
Wall Mounting Kit	WK-190MS-R10	4
User Manual & Driver CD		1
Touch Screen Driver CD / Touch Pen (For T-R model only)		1

Options

Panel Mounting Kit	PK-121M
Wall Mounting Kit	WK-190MS-R10
Rack mount kit	RK-121MS-R10
LCD Monitor Arm	ARM-11-RS
LCD Monitor Stand	STAND-100-RS/STAND-150-RS

Ordering Information

Intel® 852GM Platform	PPC-3712GMS/8522-1GZ/T-R/512MB	12.1" 400 cd/m ² SVGA TFT panel PC with NANO-8522,CPU Celeron M 1.0GHz zero cache,Silver Color,9~36V DC Input,512MB RAM and touch screen,RoHS
	PPC-3712GS/8522-1GZ/T-R/512MB	12.1" 400 cd/m ² SVGA TFT panel PC with NANO-8522,CPU Celeron M 1.0GHz zero cache,Silver Color,512MB RAM and touch screen,RoHS
	PPC-3712GMS/8522-CM370/T-R/512MB	12.1" 400 cd/m ² SVGA TFT panel PC with NANO-8522,CPU Celeron M 1.5GHz,Silver Color,9~36V DC Input,512MB RAM and Touch Screen,RoHS
	PPC-3712GS/8522-CM370/T-R/512MB	12.1" 400 cd/m ² SVGA TFT panel PC with NANO-8522,CPU Celeron M 1.5GHz,Silver Color,512MB RAM and touch screen,RoHS
	PPC-3712GXMS/8522-1GZ/T-R/512MB	12.1" 450 cd/m ² XGA TFT panel PC with NANO-8522,CPU Celeron M ULV 1GHz,Silver Color,9~36V DC Input, 512MB RAM and touch screen,RoHS
	PPC-3712GXS/8522-1GZ/T-R/512MB	12.1" 450 cd/m ² XGA TFT panel PC with NANO-8522,CPU Celeron M ULV 1GHz,Silver Color,512MB RAM and Touch Screen,RoHS
	PPC-3712GXMS/8522-CM370/T-R/512MB	12.1" 450 cd/m ² XGA TFT panel PC with NANO-8522,CPU Celeron M 1.5GHz,Silver Color,9~36V DC Input,512MB RAM and touch screen,RoHS
Intel® 945GM Platform	PPC-3712GXS/NANO-9452-CM440/T-R/1GB	12.1" 450 cd/m ² XGA TFT panel PC with NANO-9452,1.86 GHz Intel® Celeron® M CPU,Silver color and touch screen,w/ 1GB DDR2 RAM, RoHS
	PPC-3712GXS/NANO-9452-CM440/WT-R/1GB	12.1" 450 cd/m ² XGA TFT panel PC with NANO-9452,1.86 GHz Intel® Celeron® M CPU,Silver color and touch screen,802.11 b/g module,w/ 1GB DDR2 RAM,RoHS
	PPC-3712GXS/NANO-9452-T2300E/T-R/1GB	12.1" 450 cd/m ² XGA TFT panel PC with NANO-9452,1.66 GHz Intel® Celeron® M CPU,Silver color and touch screen,w/ 1GB DDR2 RAM, RoHS
	PPC-3712GXS/NANO-9452-T2300E/WT-R/1GB	12.1" 450 cd/m ² XGA TFT panel PC with NANO-9452,1.66 GHz Intel® Celeron® M CPU,Silver color and touch screen,802.11b/g,w/ 1GB DDR2 RAM,RoHS
Intel® Atom™ Platform	PPC-3712A/NANO-ATOM/T-R/1GB-R10	12.1" 450 cd/m ² XGA panel PC with Intel® Atom™ N270 1.6GHz/ 512KB L2 cache processor,1GB DDR2 RAM and touch screen,12VDC input
	PPC-3712A/NANO-ATOM/WT-R/1GB-R10	12.1" 450 cd/m ² XGA panel PC with Intel® Atom™ N270 1.6GHz/ 512KB L2 cache processor,1GB DDR2 RAM and touch screen,built-in 802.11 b/g wireless with one PCIe mini expansion slot,12VDC input
	PPC-3712BA/NANO-N270/890A/T-R/1GB-R10	12.1" 450 cd/m ² XGA fanless panel PC with Intel® Atom™ N270 1.6GHz/ 512KB L2 cache processor, w/ACE-890A AC input power supply, 1GB DDR2 RAM and touch screen, built-in 802.11 b/g wireless with one PCIe mini expansion slot,RoHS
	PPC-3712BA/NANO-N270/890A/WT-R/1GB-R10	12.1" 450 cd/m ² XGA fanless panel PC with Intel® Atom™ N270 1.6GHz/ 512KB L2 cache processor, w/ACE-890A AC input power supply, 1GB DDR2 RAM and touch screen, RoHS
	PPC-3712BT/NANO-N270/709TX/T-R/1GB-R10	12.1" 450 cd/m ² XGA fanless panel PC with Intel® Atom™ N270 1.6GHz/ 512KB L2 cache processor, w/ACE-709TX DC input power supply, 1GB DDR2 RAM and touch screen, RoHS
	PPC-3712BT/NANO-N270/709TX/WT-R/1GB-R10	12.1" 450 cd/m ² XGA fanless panel PC with Intel® Atom™ N270 1.6GHz/ 512KB L2 cache processor, w/ACE-709TX DC input power supply, 1GB DDR2 RAM and touch screen, built-in 802.11 b/g wireless with one PCIe mini expansion slot, RoHS