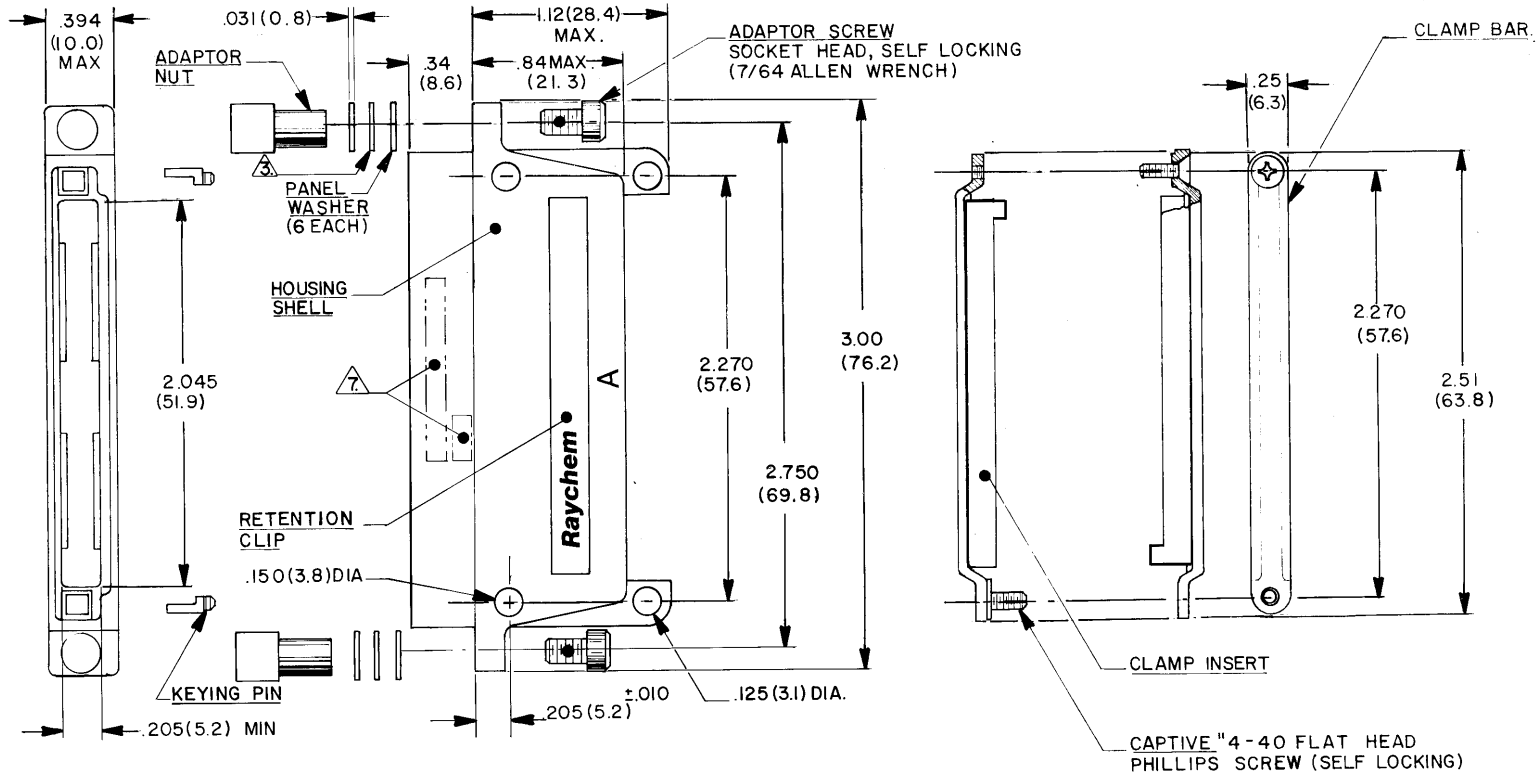


If this document is printed it becomes uncontrolled.
Check with the web for latest revision.

REVISIONS				
ZONE	LTR	DESCRIPTION	DATE	APPROVED
	A	CHANGE PER DCO 00817	02/29	MM
	B	REV PER ECO 12-020967 CT	12-12	KH



NOTES:

1. MATERIAL:

- 1-A. HOUSING SHELL; ALUMINUM ALLOY PER QQ-A-591.
- 1-B. RETENTION CLIP; COPPER ALLOY 172 PER QQ-C-533.
- 1-C. CAPTIVE SCREW; STAINLESS STEEL PER QQ-S-763, 300 SERIES.
- 1-D. CLAMP INSERT; SILICONE ELASTOMER PER ZZ-R-765.
- 1-E. ADAPTOR SCREW; STAINLESS STEEL PER QQ-S-763 300 SERIES.
- 1-F. ADAPTOR NUT; STAINLESS STEEL PER QQ-S-763 300 SERIES.

2. FINISH:

- 2-A. HOUSING SHELL; NICKEL PLATED PER MIL-C-26074, CLASS 3, GRADE B.
- 2-B. RETENTION CLIP; NICKEL PLATED PER MIL-C-26074, CLASS 2, GRADE B.
- 2-C. CAPTIVE SCREW; PASSIVATED PER QQ-P-35.
- 2-D. ADAPTOR SCREW; PASSIVATED PER QQ-P-35.
- 2-E. ADAPTOR NUT; PASSIVATED PER QQ-P-35.
- 2-F. PANEL WASHER; PASSIVATED PER QQ-P-35.
- 2-G. CLAMP BAR; PASSIVATED PER QQ-P-35.

CONNECTOR SPECIFICATION CONTROL DRAWING

UNLESS OTHERWISE SPECIFIED DIMENSIONS ARE IN INCHES BRACKETED DIMENSIONS () ARE METRIC AND TOLERANCES ARE : .XXX : ± .005 (0.1MM.) .XX : ± .02 (0.5MM.) Δ : ±	DRAWN	S. LOPEZ	8/2/79	Raychem <small>RAYCHEM CORPORATION 300 CONSTITUTION DRIVE MENLO PARK, CALIFORNIA 94025</small>
	CHECKED	JB	8-2-79	
	APPROVED	SP	8-2-79	
	APPROVED	AKR	8-2-79	
PROJECT 6448 - H008				TITLE RECEPTACLE HOUSING 2 INCH WITH CABLE CLAMP MTC100 SERIES - CONDUCTIVE FINISH SIZE C CODE IDENT NO. 06090 DWG. NO. MTC100-YH2-010 SCALE WEIGHT SHEET 1 OF 1

3. FOR MOUNTING / MATING AND KEYING INFORMATION, SEE **Raychem** DRAWING D652-0012.

4. HOUSING MEETS THE REQUIREMENTS OF **Raychem** SPECIFICATION D-6014.

5. THE FOLLOWING MOUNTING AND MATING HARDWARE ARE SUPPLIED NOT INSTALLED WITH EACH RECEPTACLE:

- (2) KEYING PIN.
- (2) ADAPTOR NUT.
- (2) ADAPTOR SCREW.
- (6) PANEL WASHER.

8. WEIGHT (MAX)	LBS.	GRAMS
	0.842	38.21

9. CONFIGURATION CONTROL PER ES 71001 APPLIES.

6. DUST COVER SUPPLIED INSTALLED WITH EACH RECEPTACLE.

7. **Raychem** PART NO. MTC100-YH2-010 AND DATE CODE IS STAMPED APPROXIMATELY AS SHOWN.

DO NOT SCALE THIS DRAWING