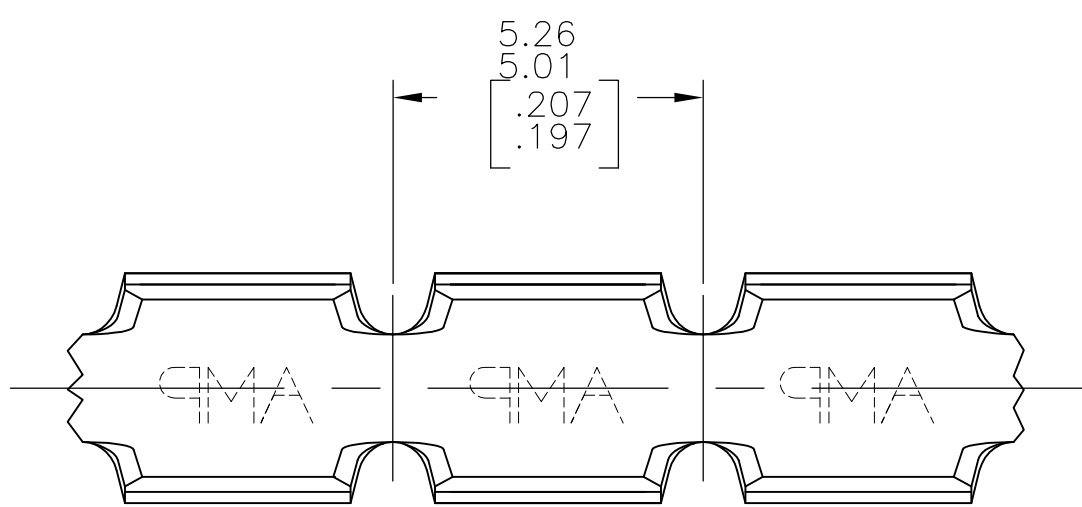
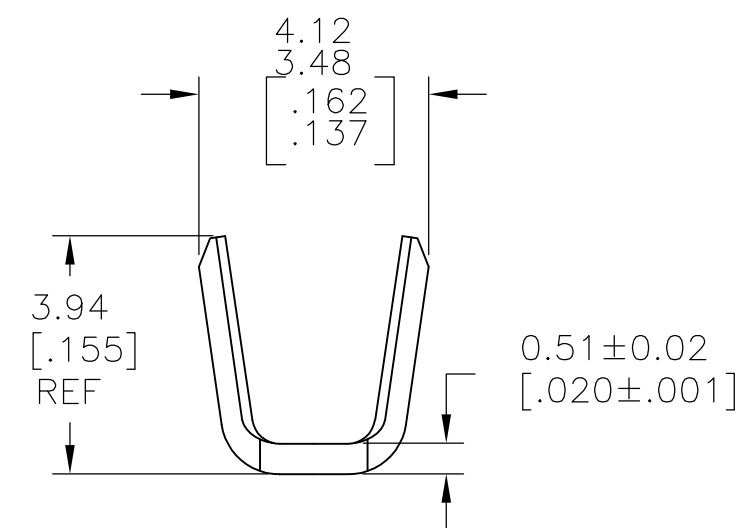
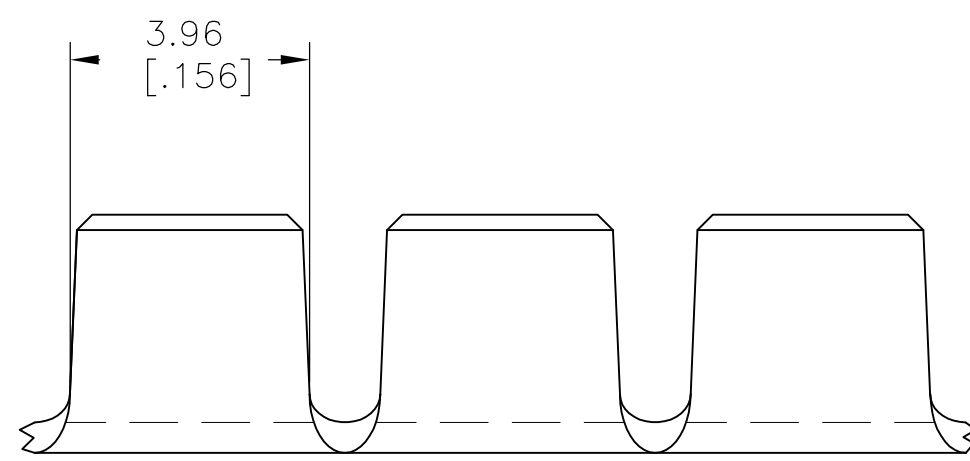


THIS DRAWING IS UNPUBLISHED. RELEASED FOR PUBLICATION  
 © COPYRIGHT BY TYCO ELECTRONICS CORPORATION. ALL INTERNATIONAL RIGHTS RESERVED.

LOC	DIST	REVISIONS			
P	LTR	DESCRIPTION	DATE	DWN	APVD
AF	50	R2	REVISED PER ECR-11-001036	21JAN11	HMR GJ



- 1 PRODUCT SUPPLIED CONTINUOUS ON REELS. BREAKS MAY BE PRESENT.
- 2 WIRE RANGE: 1.27-2.38mm<sup>2</sup>[2500-4700 CMA].
- 3 CRIMP WIDTH: 3.05[.120] F TYPE. CRIMP HEIGHT IN INCHES (±.002)=(TOTAL CMA OF WIRES+12240)/220000.



41397  
PART NO

THIS DRAWING IS A CONTROLLED DOCUMENT.		DWN RAGHAVENDRA 02JUL07	Tyco Electronics Corporation Harrisburg, PA 17105-3608	
DIMENSIONS: mm [INCHES]	TOLERANCES UNLESS OTHERWISE SPECIFIED:	CHK G.D.PORTA 02JUL07	NAME	
	0 PLC ± -	APVD G.D.PORTA 02JUL07	SPLICE	
	1 PLC ± -	PRODUCT SPEC	-	
	2 PLC ± 0.25[.010]	APPLICATION SPEC	SIZE	CAGE CODE
	3 PLC ± -	114-2088	A3	00779
MATERIAL TEMP 3 STEEL	FINISH NICKEL	WEIGHT	DRAWING NO	RESTRICTED TO
		-	G-41397	-
CUSTOMER DRAWING		SCALE	SHEET	REV
		8:1	1 OF 1	R2