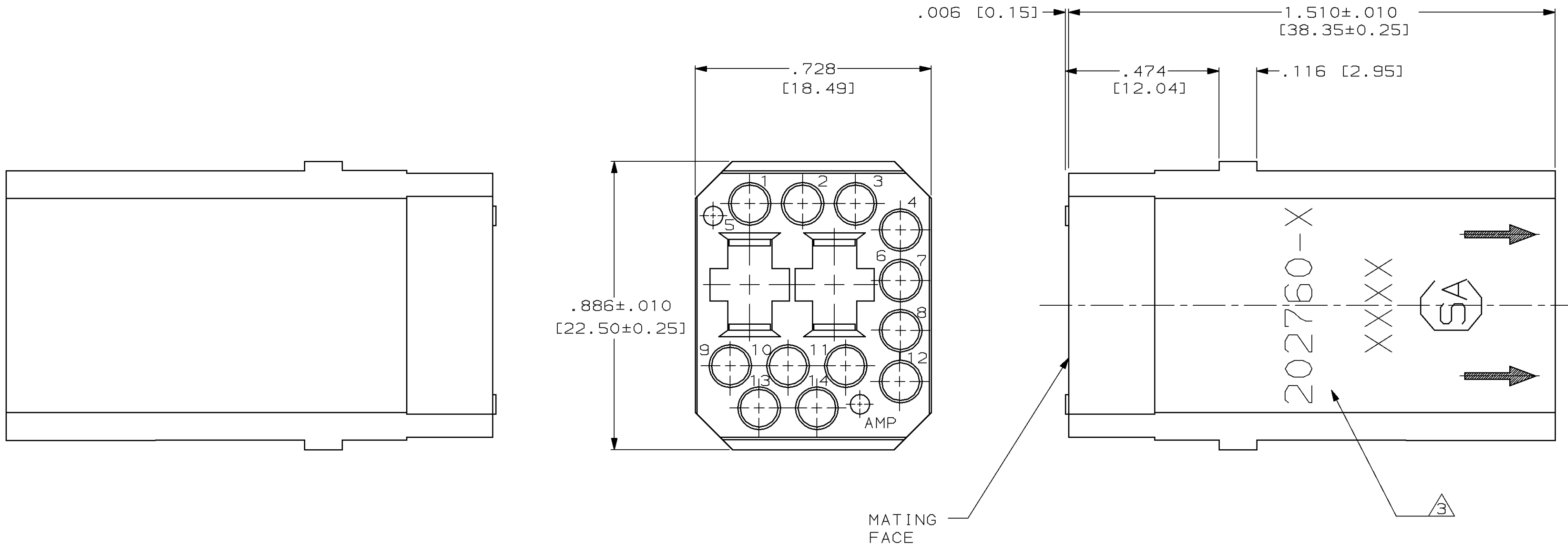


LOC	DIST	P	F	ZONE	LTR	REVISIONS			
						DESCRIPTION	DATE	APPD	
DF	BO				G	REV & REDRAWN DF-4297	PY	11-91	DBM
					H	REV PER 0600-4161-95	JB	08-30-95	DBM



- ① MATERIAL: PHENOLIC PER MIL-M-14, TYPE CFG OR MFH, COLOR: BLACK
- ② MATERIAL: DIALLYL PHTHALATE PER MIL-M-14, TYPE SDG-F, COLOR: BLUE
- ③ AMP PART NO, DATE CODE, CSA CERT, AND ARROWS MARKED WITH WHITE INK OR BY LASER MARKING AT APPROX AREA SHOWN, EITHER SIDE

4. THIS MODULE WILL ACCOMMODATE:
 (2) TYPE XII FEMALE CONTACTS
 AND
 (12) SUBMINIATURE COAXICON, TYPE II SIZE 16,
 TYPE III(+) SIZE 16 OR TYPE VI SIZE 16
 SOCKET CONTACTS

5. THIS MODULE MATES WITH 202759

②	202760-4
①	202760-2
MATERIAL	PART NUMBER

DO NOT SCALE PRINT. UNLESS SPECIFIED DIMENSIONS IN INCHES [mm]		DR 9-12-91 P. YEAGER		AMP AMP Incorporated Harrisburg, PA 17105-3608	
TOLERANCES ON :		CHK 11-12-91 D.B. MUMMEY		NAME	
2 PLC DEC ± -		APPD 11-12-91 D.B. MUMMEY		FEMALE BLOCK G SERIES, 14 POSN	
3 PLC DEC ± .005		APPD -			
ANGLES ± -		PRODUCT SPEC		SIZE	
MATERIAL		APPLICATION SPEC		CAGE CODE	
SEE TABLE		-		00779	
FINISH		-		DRAWING NO	
-		WEIGHT -		202760	
		SCALE 4:1		SHEET 1 OF 1	