



# Power Chokes – Vertical Mount

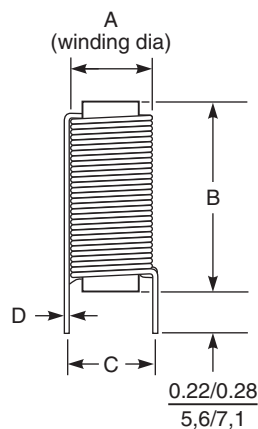


The Coilcraft PCV power chokes are low cost power inductors whose simple design provides rugged reliability and performance. They feature 130°C class insulation and are available in a wide range of standard values.

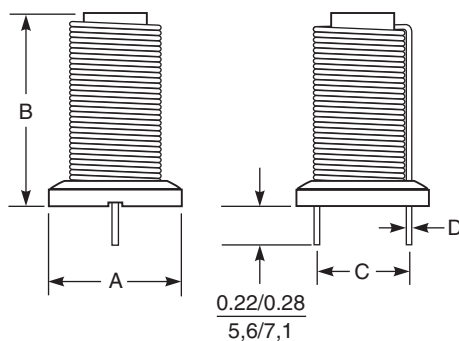
The open core construction provides the highest saturation current available in a low cost power choke. The PCV-1 Series incorporates a plastic mounting header for maximum lead protection and consistency. The PCV-2 Series uses a ferrite bobbin core to provide the highest possible inductance at the lowest cost.

Coilcraft **Designer's Kit P405** contains samples of the part numbers shown in bold from the PCV-0 and PCV-2 Series. Contact Coilcraft or visit <http://order.coilcraft.com> to purchase on-line.

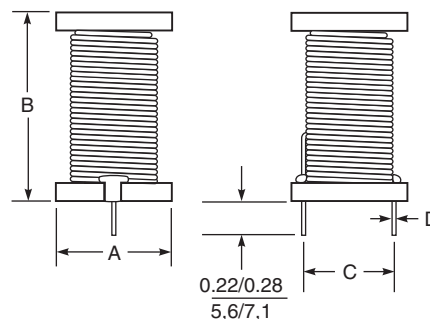
## PCV-0 Series



## PCV-1 Series



## PCV-2 Series



Dimensions are in  $\frac{\text{inches}}{\text{mm}}$

**Terminations:** Tin-silver over copper

**Coilcraft**<sup>®</sup>

Specifications subject to change without notice.  
Please check our website for latest information.

10/3105/28/08

1102 Silver Lake Road Cary, Illinois 60013 Phone 847/639-6400 Fax 847/639-1469

E-mail [info@coilcraft.com](mailto:info@coilcraft.com) Web <http://www.coilcraft.com>



# Power Chokes – Vertical Mount

Part number	Inductance <sup>1</sup> ( $\mu$ H)	I <sub>rms</sub> <sup>2</sup> (A)	DCR max (Ohms)	A max (in/mm)	B max (in/mm)	C $\pm$ 0.015/0,38 (in/mm)	D $\pm$ 0.004/0,10 (in/mm)
<b>PCV-0 Series</b>							
PCV-0-102-25L	1.0 $\pm$ 15%	21.8	0.002	0.60/15,2	0.68/17,3	0.42/10,7	0.068/1,73
PCV-0-102-10L	1.0 $\pm$ 15%	16.7	0.003	0.50/12,7	0.75/19,1	0.42/10,7	0.054/1,37
PCV-0-332-10L	3.3 $\pm$ 15%	12.7	0.005	0.50/12,7	1.0/25,4	0.42/10,7	0.054/1,37
<b>PCV-0-472-03L</b>	4.7 $\pm$ 15%	7.4	0.021	0.51/13,0	0.75/19,1	0.42/10,7	0.035/0,89
<b>PCV-0-472-05L</b>	4.7 $\pm$ 15%	8.9	0.012	0.50/12,7	0.75/19,1	0.42/10,7	0.042/1,07
<b>PCV-0-472-10L</b>	4.7 $\pm$ 15%	11.9	0.012	0.50/12,7	1.0/25,4	0.42/10,7	0.054/1,37
PCV-0-472-20L	4.7 $\pm$ 15%	16.4	0.004	0.53/13,5	1.2/30,5	0.42/10,7	0.068/1,73
<b>PCV-0-103-03L</b>	10 $\pm$ 10%	5.9	0.023	0.50/12,7	0.75/19,1	0.42/10,7	0.035/0,89
<b>PCV-0-103-05L</b>	10 $\pm$ 10%	7.1	0.017	0.50/12,7	0.75/19,1	0.42/10,7	0.042/1,07
<b>PCV-0-103-10L</b>	10 $\pm$ 10%	11.8	0.015	0.52/13,2	1.0/25,4	0.42/10,7	0.054/1,37
PCV-0-103-20L	10 $\pm$ 10%	17.0	0.006	0.75/19,1	1.8/45,7	0.60/15,2	0.075/1,91
PCV-0-153-03L	15 $\pm$ 10%	6.8	0.025	0.50/12,7	1.0/25,4	0.42/10,7	0.035/0,89
PCV-0-153-10L	15 $\pm$ 10%	9.8	0.020	0.52/13,2	1.0/25,4	0.42/10,7	0.054/1,37
<b>PCV-0-223-03L</b>	22 $\pm$ 10%	7.4	0.035	0.50/12,7	1.0/25,4	0.42/10,7	0.035/0,89
<b>PCV-0-223-05L</b>	22 $\pm$ 10%	8.9	0.023	0.50/12,7	1.0/25,4	0.42/10,7	0.042/1,07
<b>PCV-0-223-10L</b>	22 $\pm$ 10%	13.0	0.015	0.66/16,8	1.3/33,0	0.42/10,7	0.060/1,52
PCV-0-273-05L	27 $\pm$ 10%	7.1	0.024	0.50/12,7	1.0/25,4	0.49/12,5	0.042/1,07
PCV-0-333-12L	33 $\pm$ 10%	11.0	0.017	0.70/17,8	1.3/33,0	0.55/14,0	0.060/1,52
<b>PCV-0-473-03L</b>	47 $\pm$ 10%	4.3	0.050	0.55/14,0	1.0/25,4	0.42/10,7	0.035/0,89
<b>PCV-0-473-05L</b>	47 $\pm$ 10%	6.0	0.035	0.65/16,5	1.1/28,0	0.70/17,8	0.042/1,07
<b>PCV-0-473-10L</b>	47 $\pm$ 10%	8.7	0.022	0.85/21,6	1.3/33,0	0.70/17,8	0.060/1,52
PCV-0-823-03L	82 $\pm$ 10%	2.8	0.110	0.50/12,7	0.65/16,5	0.375/9,5	0.028/0,71
PCV-0-104-01L	100 $\pm$ 10%	1.8	0.190	0.40/10,2	0.90/22,9	0.30/7,6	0.020/0,51
<b>PCV-0-104-03L</b>	100 $\pm$ 10%	3.8	0.072	0.55/14,0	1.2/30,5	0.70/17,8	0.035/0,89
<b>PCV-0-104-05L</b>	100 $\pm$ 10%	5.5	0.055	0.65/16,5	1.3/33,0	0.70/17,8	0.042/1,07
PCV-0-154-03L	150 $\pm$ 10%	2.8	0.140	0.60/15,2	1.2/30,5	0.43/10,9	0.028/0,71
PCV-0-154-05L	150 $\pm$ 10%	5.2	0.065	0.65/16,5	1.3/33,0	0.70/17,8	0.042/1,07
PCV-0-184-05L	180 $\pm$ 10%	3.3	0.110	0.60/15,2	1.2/30,5	0.43/10,9	0.035/0,89
PCV-0-224-03L	220 $\pm$ 10%	2.1	0.210	0.55/14,0	1.2/30,5	0.42/10,7	0.025/0,64
PCV-0-274-04L	270 $\pm$ 10%	2.1	0.250	0.95/24,0	0.72/18,3	0.71/18,0	0.030/0,76
PCV-0-274-10L	270 $\pm$ 10%	3.6	0.160	1.1/28,0	1.0/25,4	0.72/18,3	0.038/0,97
PCV-0-394-03L	390 $\pm$ 10%	3.0	0.250	1.1/28,0	1.0/25,4	0.72/18,3	0.035/0,89
PCV-0-394-05L	390 $\pm$ 10%	3.1	0.190	1.1/28,0	1.0/25,4	0.72/18,3	0.038/0,97
<b>PCV-1 Series</b>							
PCV-1-152-15L	1.5 $\pm$ 15%	18.2	0.003	0.65/16,5	0.90/22,9	0.42/10,7	0.068/1,73
PCV-1-182-10L	1.8 $\pm$ 15%	18.2	0.006	0.65/16,5	1.1/27,9	0.42/10,7	0.054/1,37
PCV-1-182-15L	1.8 $\pm$ 15%	19.3	0.003	0.65/16,5	1.1/27,9	0.42/10,7	0.068/1,73
PCV-1-472-03L	4.7 $\pm$ 15%	7.5	0.021	0.62/15,7	0.85/21,6	0.42/10,7	0.035/0,89
PCV-1-472-05L	4.7 $\pm$ 15%	9.1	0.012	0.62/15,7	0.85/21,6	0.42/10,7	0.042/1,07
PCV-1-472-10L	4.7 $\pm$ 15%	11.8	0.012	0.62/15,7	1.1/27,9	0.42/10,7	0.054/1,37
PCV-1-103-03L	10 $\pm$ 10%	6.0	0.026	0.63/16,0	0.85/21,6	0.42/10,7	0.035/0,89
PCV-1-103-05L	10 $\pm$ 10%	7.1	0.020	0.62/15,7	0.85/21,6	0.42/10,7	0.042/1,07
PCV-1-103-10L	10 $\pm$ 10%	10.9	0.013	0.63/16,0	1.1/27,9	0.42/10,7	0.054/1,37
PCV-1-153-10L	15 $\pm$ 10%	11.8	0.020	0.70/17,8	1.4/35,6	0.42/10,7	0.060/1,52
PCV-1-223-03L	22 $\pm$ 10%	5.5	0.035	0.62/15,7	1.1/27,9	0.42/10,7	0.035/0,89
PCV-1-223-05L	22 $\pm$ 10%	6.9	0.023	0.62/15,7	1.1/27,9	0.42/10,7	0.042/1,07
PCV-1-223-10L	22 $\pm$ 10%	10.4	0.018	0.70/17,8	1.4/35,6	0.42/10,7	0.060/1,52
PCV-1-473-03L	47 $\pm$ 10%	5.3	0.050	0.65/16,5	1.1/27,9	0.42/10,7	0.035/0,89
PCV-1-473-05L	47 $\pm$ 10%	6.3	0.033	0.90/22,9	1.2/30,5	0.70/17,8	0.042/1,07
PCV-1-473-10L	47 $\pm$ 10%	8.2	0.022	0.90/22,9	1.4/35,6	0.70/17,8	0.060/1,52
PCV-1-104-03L	100 $\pm$ 10%	3.4	0.072	0.90/22,9	1.3/33,1	0.70/17,8	0.035/0,89
PCV-1-104-05L	100 $\pm$ 10%	4.9	0.055	0.90/22,9	1.4/35,6	0.70/17,8	0.042/1,07
PCV-1-184-03L	180 $\pm$ 10%	2.8	0.150	0.63/16,0	1.2/30,5	0.42/10,7	0.028/0,71
PCV-1-304-05L	300 $\pm$ 10%	3.4	0.160	1.1/27,9	1.0/25,4	0.70/17,8	0.038/0,97
PCV-1-394-05L	390 $\pm$ 10%	3.0	0.190	1.1/27,9	1.0/25,4	0.70/17,8	0.038/0,97

Specifications subject to change without notice.

Please check our website for latest information.

Document 135-2 Revised 10/31/08

1102 Silver Lake Road Cary, Illinois 60013 Phone 847/639-6400 Fax 847/639-1469

E-mail [info@coilcraft.com](mailto:info@coilcraft.com) Web <http://www.coilcraft.com>

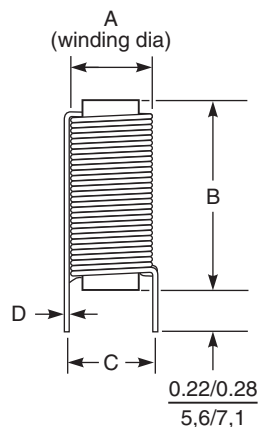


# Power Chokes – Vertical Mount

Part number	Inductance <sup>1</sup> ±10% (µH)	I <sub>rms</sub> <sup>2</sup> (A)	DCR max (Ohms)	A max (in/mm)	B max (in/mm)	C ±0.015/0,38 (in/mm)	D ±0.004/0,10 (in/mm)
<b>PCV-2 Series</b>							
PCV-2-103-05L	10	10.5	0.015	0.61/15,49	0.83/21,08	0.42/10,67	0.042/1,07
PCV-2-103-10L	10	11.8	0.010	0.61/15,49	0.83/21,08	0.50/12,70	0.054/1,37
PCV-2-223-05L	22	7.6	0.020	0.61/15,49	0.83/21,08	0.42/10,67	0.042/1,07
PCV-2-223-10L	22	10.3	0.015	0.86/21,84	0.83/21,08	0.58/14,73	0.054/1,37
PCV-2-473-05L	47	5.0	0.035	0.70/17,78	0.83/21,08	0.48/12,19	0.038/0,97
<b>PCV-2-473-10L</b>	47	9.6	0.020	1.00/25,40	0.83/21,08	0.70/17,78	0.054/1,37
PCV-2-104-03L	100	4.4	0.080	0.84/21,34	0.83/21,08	0.58/14,73	0.031/0,79
PCV-2-104-05L	100	5.6	0.048	0.84/21,34	0.83/21,08	0.70/17,78	0.042/1,07
PCV-2-104-10L	100	10.1	0.032	1.05/26,67	1.10/27,94	0.88/22,35	0.054/1,37
PCV-2-184-05L	180	4.0	0.092	0.80/20,32	0.90/22,86	0.58/14,73	0.035/0,89
PCV-2-184-10L	180	8.0	0.048	1.44/36,58	1.10/27,94	1.05/26,67	0.054/1,37
PCV-2-224-05L	220	6.6	0.075	1.05/26,67	1.10/27,94	0.75/19,05	0.042/1,07
<b>PCV-2-274-03L</b>	270	4.3	0.130	1.00/25,40	0.83/21,08	0.75/19,05	0.035/0,89
<b>PCV-2-274-05L</b>	270	5.2	0.080	1.05/26,67	1.05/26,67	0.80/20,32	0.042/1,07
<b>PCV-2-274-10L</b>	270	7.2	0.060	1.50/38,10	1.10/27,94	1.08/27,43	0.054/1,37
PCV-2-394-05L	390	3.9	0.130	1.10/29,34	0.83/21,08	0.85/21,59	0.038/0,97
PCV-2-564-02L	560	2.6	0.270	0.80/20,32	0.90/22,86	0.57/14,48	0.028/0,71
PCV-2-564-06L	560	4.0	0.170	1.21/30,73	1.10/27,94	0.90/22,86	0.038/0,97
PCV-2-564-08L	560	7.0	0.090	1.50/38,10	1.43/36,32	1.08/27,43	0.054/1,37
PCV-2-684-01L	680	1.3	0.700	0.70/17,78	0.83/21,08	0.50/12,70	0.018/0,46
PCV-2-105-02L	1000	2.3	0.370	1.00/25,40	0.83/21,08	0.72/18,29	0.028/0,71

1. Tested at 15.75 kHz, 0.1 V<sub>rms</sub>, with DC bias applied up to the I<sub>rms</sub> current.
2. Current that causes a 40°C temperature rise from 25°C ambient.
3. **Ambient temperature range:** -40°C to +85°C with I<sub>rms</sub> current
4. **Storage temperature range:** Component: -40°C to +125°C  
Packaging: -40°C to +80°C
5. Electrical specifications at 25°C.
6. Parts in bold type are included in Coilcraft Designer's Kit P405.  
Refer to Doc 362 "Soldering Surface Mount Components" before soldering.

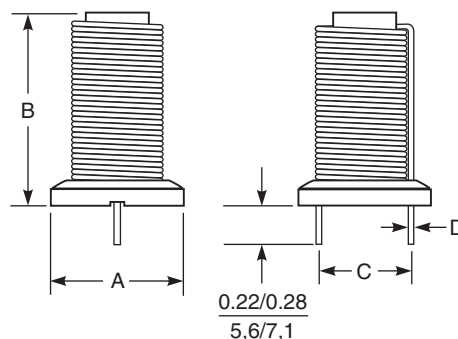
## PCV-0 Series



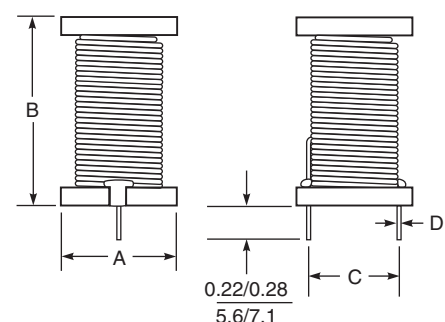
Dimensions are in  $\frac{\text{inches}}{\text{mm}}$

**Terminations:** Tin-silver over copper

## PCV-1 Series



## PCV-2 Series



# Coilcraft®

Specifications subject to change without notice.  
Please check our website for latest information.

Document 135-3 Revised 10/31/08

1102 Silver Lake Road Cary, Illinois 60013 Phone 847/639-6400 Fax 847/639-1469

E-mail [info@coilcraft.com](mailto:info@coilcraft.com) Web <http://www.coilcraft.com>