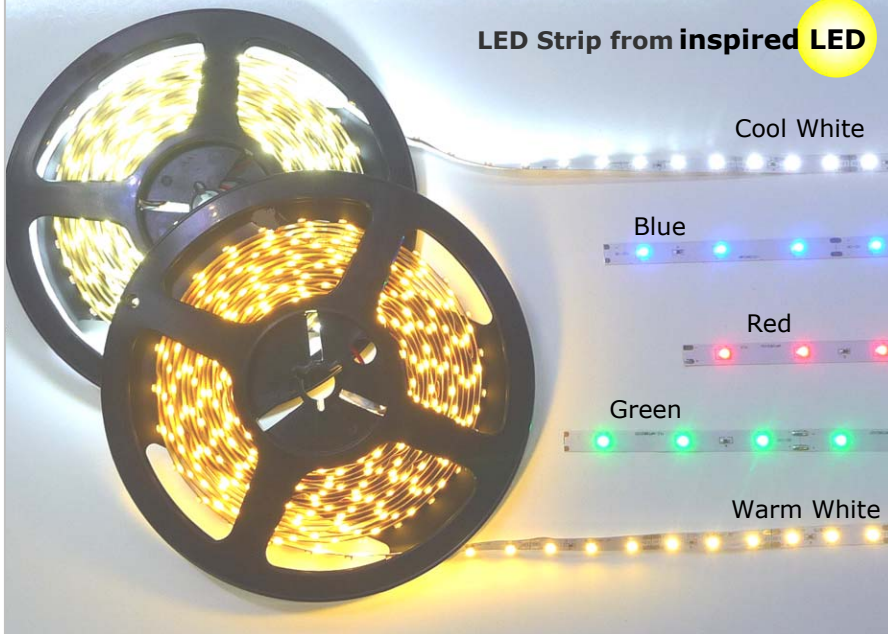


LED Strip from inspired LED

LED Strips are adhesive backed flex circuits with 3528 LEDs evenly spaced on a reel. Cut Lengths from 500mm to 12 meters are available.



Choice of options

Brightness

Super Bright – SB, 30 LEDs per 500mm length
Normal Bright –NB, 15 LEDs per 500mm length

Color

Cool White – 6500K (daylight)
Blue- 0425nm
Red-0625nm
Green-0565nm
Warm White -3200K (soft white)

Cut Length 500mm=Qty 1

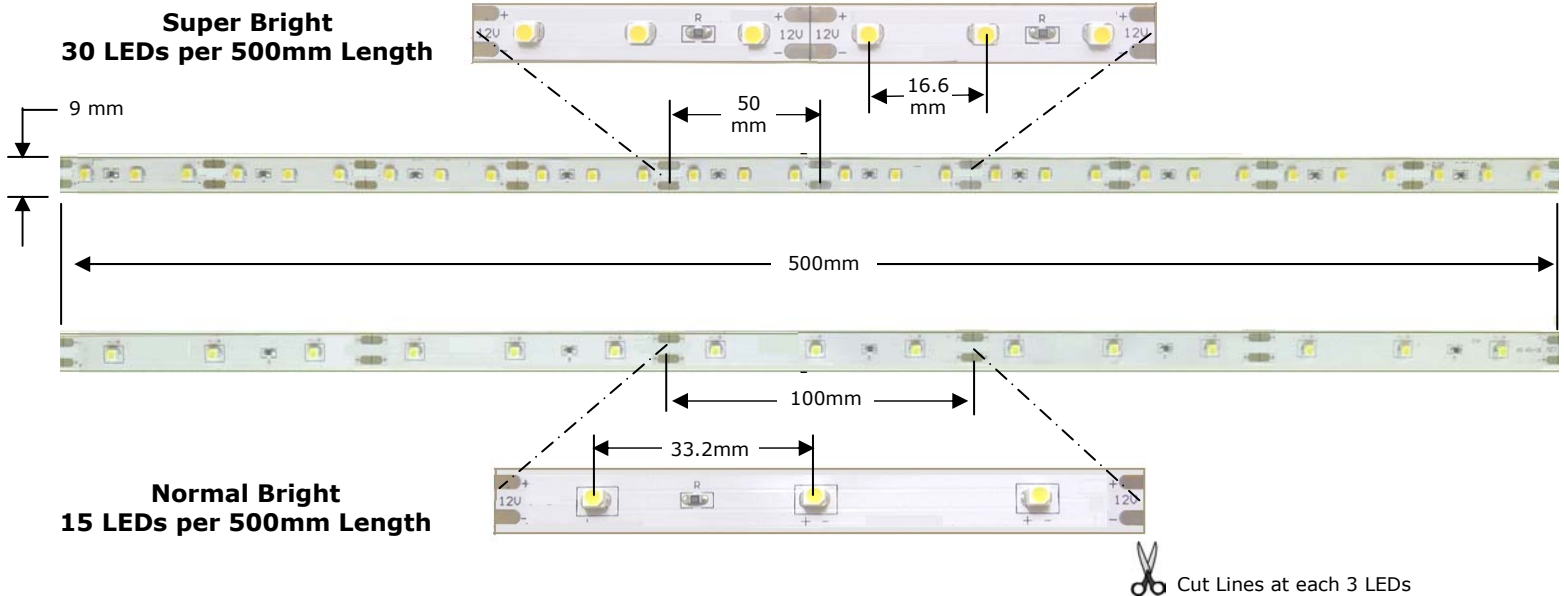
Any Length from 500mm to 12 meters, in 500mm increments. The strip can be cut at every three LEDs, allowing you to make multiple LED strips from one cut length.

How do you buy this product

The product is on a continuous 12 meter reel, the length is determined by the quantity of 500mm sections you need.

Examples;

- A backlight project requires a 12" length of flex, you purchase **1**, you get a 500mm section (19.6") you cut to length and you have some extra for the next project.
- You have a display case that requires two 4 meter strips, you purchase **16**, (16 x 500mm= 8 meters) measure and cut into two four meter strips.
- Your kitchen cabinet lighting project requires two 30" and three 18" strips,(114" or 2895mm), you purchase **6** (6x 500mm=3000mm) cut to the lengths you need.



Part Number

SB = Super Bright
NB = Normal Bright

XX XXXX CT

6500 = Cool White
0425 = Blue
0625 = Red
0565 = Green
3200 = Warm White

500mm
Section of
cut tape

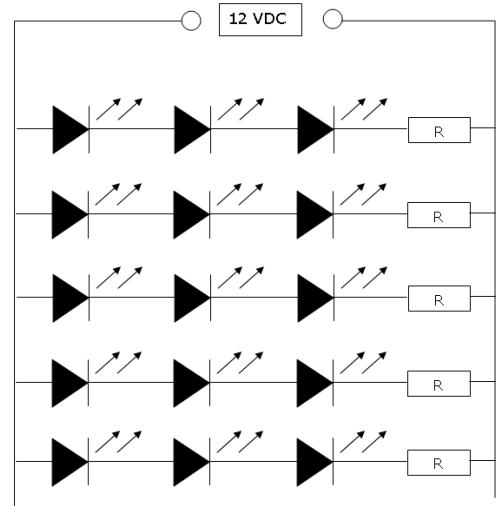
Specifications

Power Requirement – 12VDC per section of 3 LEDs. Each LED rated at .08W, 6.6mA.

Flex Circuit Rating - 4000ma. DO NOT EXCEED 4000ma FOR A CUT LENGTH OF STRIP.

LED – 32.x 2.8mm 120° viewing angle
 Cool White - 4.1 Lumen, 6500 Kelvin
 Blue – 1 Lumen, 425 nm
 Red – 1.2 Lumen, 625 nm
 Green – 1.2 Lumen, 565 nm
 Warm White – 2.5 Lumen , 3200 Kelvin

ASSEMBLY – RoHS Compliant



Super Bright
 Maximum Length is 10 meters, 600 LEDs

Qty of Strips	mm	meters	inchs	# of LEDs	ma
1	500	0.5	19 1/2	30	200
2	1000	1	39 1/2	60	400
3	1500	1.5	59	90	600
4	2000	2	78 1/2	120	800
5	2500	2.5	98 1/2	150	1000
6	3000	3	118	180	1200
7	3500	3.5	138	210	1400
8	4000	4	157 1/2	240	1600
9	4500	4.5	177	270	1800
10	5000	5	197	300	2000
11	5500	5.5	216 1/2	330	2200
12	6000	6	236	360	2400
13	6500	6.5	256	390	2600
14	7000	7	275 1/2	420	2800
15	7500	7.5	295 1/2	450	3000
16	8000	8	315	480	3200
17	8500	8.5	334 1/2	510	3400
18	9000	9	354 1/2	540	3600
19	9500	9.5	374	570	3800
20	10000	10	393 1/2	600	4000
21	10500	10.5	413 1/2	630	4200
22	11000	11	433	660	4400
23	11500	11.5	453	690	4600
24	12000	12	472 1/2	720	4800

Normal Bright
 Maximum Length is 12 meters, 360 LEDs

Qty of Strips	mm	meters	inchs	# of LEDs	ma
1	500	0.5	19 2/3	15	100
2	1000	1	39 3/8	30	200
3	1500	1.5	59	45	300
4	2000	2	78 3/4	60	400
5	2500	2.5	98 3/7	75	500
6	3000	3	118 1/9	90	600
7	3500	3.5	137 4/5	105	700
8	4000	4	157 1/2	120	800
9	4500	4.5	177 1/6	135	900
10	5000	5	196 6/7	150	1000
11	5500	5.5	216 1/2	165	1100
12	6000	6	236 2/9	180	1200
13	6500	6.5	256	195	1300
14	7000	7	275 3/5	210	1400
15	7500	7.5	295 2/7	225	1500
16	8000	8	315	240	1600
17	8500	8.5	334 2/3	255	1700
18	9000	9	354 1/3	270	1800
19	9500	9.5	374	285	1900
20	10000	10	393 5/7	300	2000
21	10500	10.5	413 2/5	315	2100
22	11000	11	433	330	2200
23	11500	11.5	452 3/4	345	2300
24	12000	12	472 4/9	360	2400

Flex Circuit Rating - 4000ma. DO NOT EXCEED 4000ma FOR A CUT LENGTH OF STRIP

User Note – Voltage drop will reduce the amount of light of LEDs furthest from the power source. For lengths over 5 meters powering from the center of the strip will produce a more consistent light over the length.

Mouser Electronics

Authorized Distributor

Click to View Pricing, Inventory, Delivery & Lifecycle Information:

Inspired LED:

<u>NB-6500-0300-1C</u>	<u>NB-6500-0300-2C</u>	<u>NB-6500-0400-1C</u>	<u>NB-6500-0400-2C</u>	<u>NB-6500-0500-1C</u>	<u>NB-6500-0500-2C</u>
<u>NB-6500-0600-1C</u>	<u>NB-6500-0600-2C</u>	<u>NB-6500-0700-1C</u>	<u>NB-6500-0700-2C</u>	<u>NB-6500-0800-1C</u>	<u>NB-6500-0800-2C</u>
<u>NB-6500-0900-1C</u>	<u>NB-6500-0900-2C</u>	<u>NB-6500-1000-1C</u>	<u>NB-6500-1000-2C</u>	<u>NB-6500-1100-1C</u>	<u>NB-6500-1100-2C</u>
<u>NB-6500-1200-1C</u>	<u>NB-6500-1200-2C</u>	<u>NB-6500-1300-1C</u>	<u>NB-6500-1300-2C</u>	<u>NB-6500-1400-1C</u>	<u>NB-6500-1400-2C</u>
<u>NB-6500-1500-1C</u>	<u>NB-6500-1500-2C</u>	<u>NB-6500-1600-1C</u>	<u>NB-6500-1600-2C</u>	<u>NB-6500-1700-1C</u>	<u>NB-6500-1700-2C</u>
<u>NB-6500-1800-1C</u>	<u>NB-6500-1800-2C</u>	<u>NB-6500-1900-1C</u>	<u>NB-6500-1900-2C</u>	<u>NB-6500-2000-1C</u>	<u>NB-6500-2000-2C</u>
<u>NB-6500-2100-1C</u>	<u>NB-6500-2100-2C</u>	<u>NB-6500-2200-1C</u>	<u>NB-6500-2200-2C</u>	<u>NB-6500-2300-1C</u>	<u>NB-6500-2300-2C</u>
<u>NB-6500-2400-1C</u>	<u>NB-6500-2400-2C</u>	<u>NB-6500-2500-1C</u>	<u>NB-6500-2500-2C</u>	<u>NB-6500-2600-1C</u>	<u>NB-6500-2600-2C</u>
<u>NB-6500-2700-1C</u>	<u>NB-6500-2700-2C</u>	<u>NB-6500-2800-1C</u>	<u>NB-6500-2800-2C</u>	<u>NB-6500-2900-1C</u>	<u>NB-6500-2900-2C</u>
<u>NB-6500-3000-1C</u>	<u>NB-6500-3000-2C</u>	<u>NB-6500-3100-1C</u>	<u>NB-6500-3100-2C</u>	<u>NB-6500-3200-1C</u>	<u>NB-6500-3200-2C</u>
<u>NB-6500-3300-1C</u>	<u>NB-6500-3300-2C</u>	<u>NB-6500-3400-1C</u>	<u>NB-6500-3400-2C</u>	<u>NB-6500-3500-1C</u>	<u>NB-6500-3500-2C</u>
<u>NB-6500-3600-1C</u>	<u>NB-6500-3600-2C</u>	<u>NB-6500-3700-1C</u>	<u>NB-6500-3700-2C</u>	<u>NB-6500-3800-1C</u>	<u>NB-6500-3800-2C</u>
<u>NB-6500-3900-1C</u>	<u>NB-6500-3900-2C</u>	<u>NB-6500-4000-1C</u>	<u>NB-6500-4000-2C</u>	<u>NB-6500-4100-1C</u>	<u>NB-6500-4100-2C</u>
<u>NB-6500-4200-1C</u>	<u>NB-6500-4200-2C</u>	<u>NB-6500-4300-1C</u>	<u>NB-6500-4300-2C</u>	<u>NB-6500-4400-1C</u>	<u>NB-6500-4400-2C</u>
<u>NB-6500-4500-1C</u>	<u>NB-6500-4500-2C</u>	<u>NB-6500-4600-1C</u>	<u>NB-6500-4600-2C</u>	<u>NB-6500-4700-1C</u>	<u>NB-6500-4700-2C</u>
<u>NB-6500-4800-1C</u>	<u>NB-6500-4800-2C</u>	<u>NB-6500-4900-1C</u>	<u>NB-6500-4900-2C</u>	<u>NB-6500-5000-1C</u>	<u>NB-6500-5000-2C</u>
<u>NB-6500-5100-1C</u>	<u>NB-6500-5100-2C</u>	<u>NB-6500-5200-1C</u>	<u>NB-6500-5200-2C</u>		