

Distinctive Characteristics

Environmentally friendly components and packaging materials meet RoHS Directive restricting use of hazardous materials. Suited for lead-free soldering because of heat resistant resin materials.

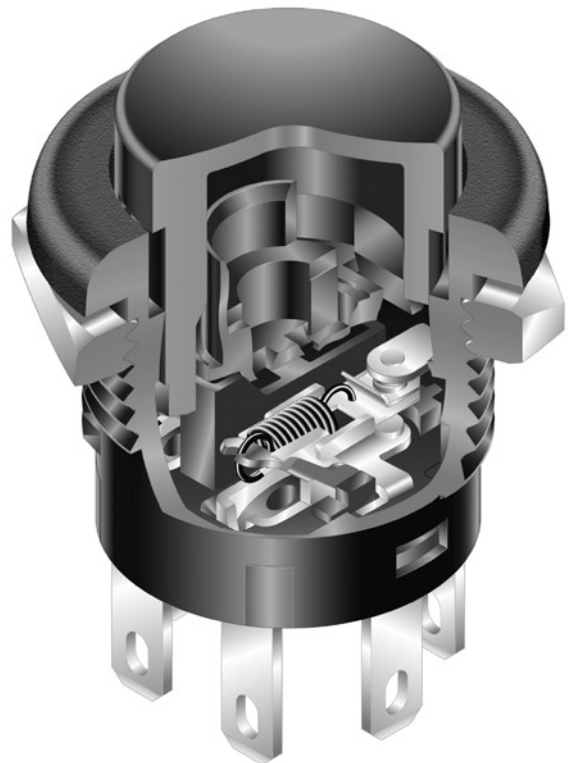
Smooth, slightly concave surface of cap designed to fit fingertip. Unique design and construction of cap prevents its removal and limits tampering.

Short body of .551" (14.0mm) conserves behind-panel space.

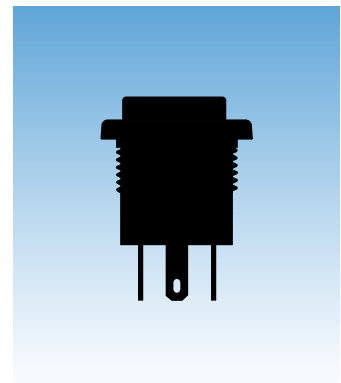
Combination solder lug and .110" quick connect terminals are epoxy sealed to lock out flux, dust, solvents, and other contaminants.

Crisp actuation and clear circuit status provided by snap action contact mechanism. Arc barrier between movable contacts protects against crossover.

Illuminated models available and shown in the Illuminated Pushbutton section.



Actual Size



General Specifications

Electrical Capacity (Resistive Load)

Power Level (silver): 3A @ 125V AC or 3A @ 250V AC or 3A @ 30V DC

Other Ratings

Contact Resistance: 50 milliohms maximum
Insulation Resistance: 200 megohms minimum @ 500V DC
Dielectric Strength: 1,000V AC minimum between contacts for 1 minute minimum
 1,500V AC minimum between contacts & case for 1 minute minimum
Mechanical Life: 500,000 operations minimum
Electrical Life: 50,000 operations minimum
Nominal Operating Force: 1.5N for Single Pole; 3.0N for Double Pole
Contact Timing: Nonshorting (break-before-make)
Travel: Total Travel .118" (3.0mm)

Materials & Finishes

Actuator: Polycarbonate
Housing: Bushing mount: Glass fiber reinforced polyamide (UL94V-0);
 Snap-in mount: Polyphenylene ether (UL94V-0)
Base: Diallyl phthalate (UL94V-0)
Movable Contact: Phosphor bronze & silver with silver plating
Stationary Contacts: Common terminal: Phosphor bronze with silver plating;
 Contact terminals: Phosphor bronze with tin & copper plating

Environmental Data

Operating Temp Range: -25°C through +70°C (-13°F through +158°F)
Humidity: 90 ~ 95% humidity for 240 hours @ 40°C (104°F)
Vibration: 10 ~ 55Hz with peak-to-peak amplitude of 1.5mm traversing the frequency range
 & returning in 1 minute; 3 right angled directions for 2 hours
Shock: 50G (490m/s²) acceleration (tested in 6 right angled directions, with 5 shocks in each direction)

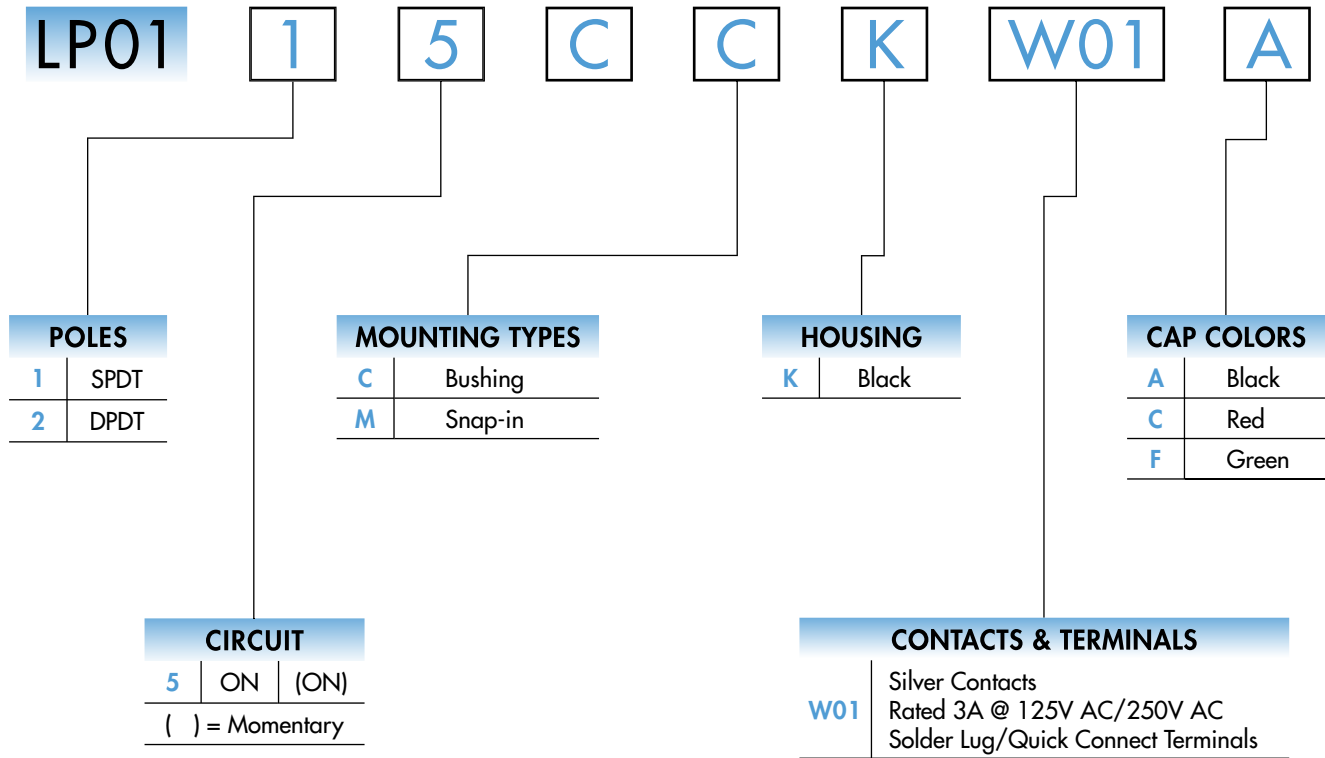
Installation

Mounting Torque: 0.8Nm (7.08 lb•in)
Soldering Time & Temperature: 4 seconds maximum @ 390°C maximum for manual soldering
Cleaning: Hand clean locally with alcohol based solution

Standards & Certifications

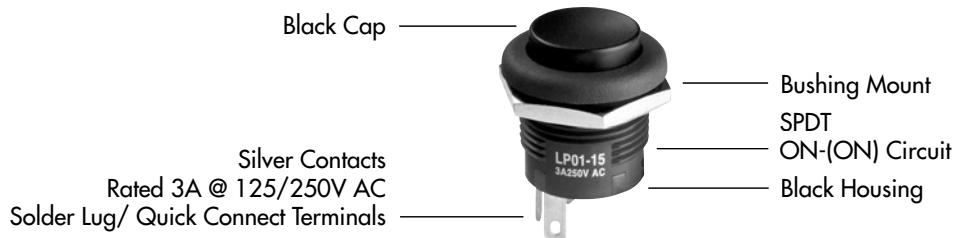
Flammability Standards: UL94V-0 housing & base
UL Recognition: Pending
C-UL Recognition: Pending

TYPICAL SWITCH ORDERING EXAMPLE



DESCRIPTION FOR TYPICAL ORDERING EXAMPLE

LP0115CCKW01A



POLES & CIRCUIT

Pole	Model	Plunger Position () = Momentary		Connected Terminals		Throw & Switch Schematics
		Normal	Down	Normal	Down	
						Note: Terminal markings "COM, NO and NC" are actually on the switch; terminal numbers are not on the switch.
SP	LP0115	ON	(ON)	1-3	1-2	SPDT
DP	LP0125	ON	(ON)	1-3 4-6	1-2 4-5	DPDT

MOUNTING TYPES

C

Bushing

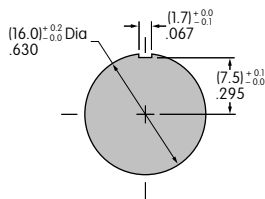
.630" (16mm) Diameter

This mounting option is supplied with a brass hexagon nut with nickel plating.



Recommended Panel Thickness:

.079" ~ .256"
(2.0mm ~ 6.5mm)



Allow .984" (25mm) distance between switches when mounted side-by-side.

M

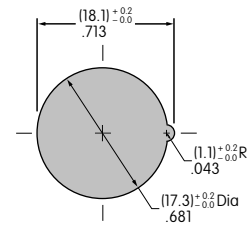
Snap-in

.669" (17mm) Diameter



Recommended Panel Thickness:

.039" ~ .126"
(1.0mm ~ 3.2mm)



Allow .827" (21mm) distance between switches when mounted side-by-side.

HOUSING

K

Black

Housing available in black only. The one-piece body and bezel have a matte finish.

CONTACT MATERIALS, RATINGS, & TERMINALS

W01

Silver

Power Level

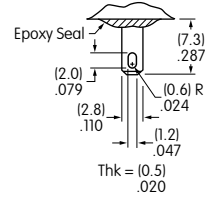
Solder Lug/
.110" (2.8mm) Quick Connect

3A @ 125V AC/250V AC; 3A @ 30V DC

Note: If used at 1A @ 125V AC/250V AC or 1A @ 30V DC, electrical life will be 100,000 operations minimum.

Wiring

The .047" x .079" (1.2mm x 2.0mm) oblong hole accommodates one solid 18-gauge wire or two solid or stranded 20-gauge wires.



CAP COLORS

A

Black

C

Red

F

Green

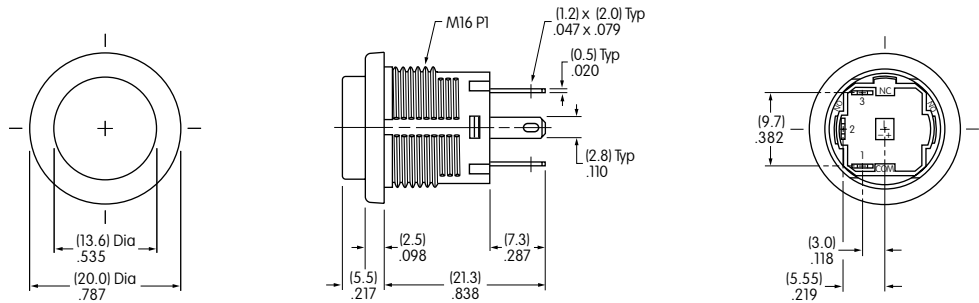
The cap is an integral part of the switch and is not available separately.

Material: Polycarbonate Finish: Matte



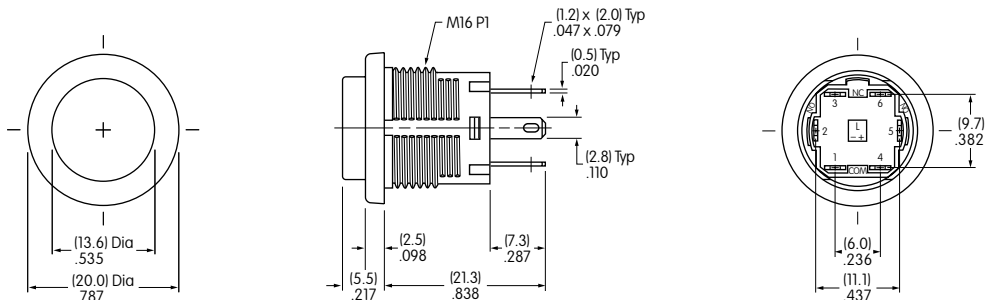
TYPICAL SWITCH DIMENSIONS

Bushing Mount • Single Pole



LP0115CCKW01A

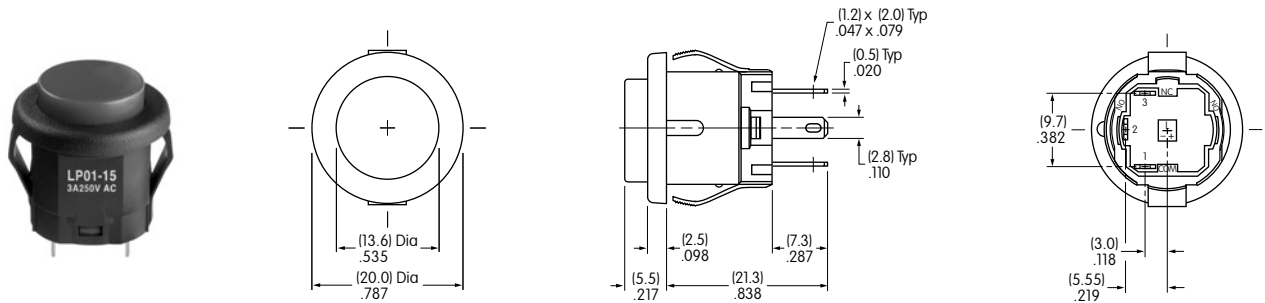
Bushing Mount • Double Pole



LP0125CCKW01F

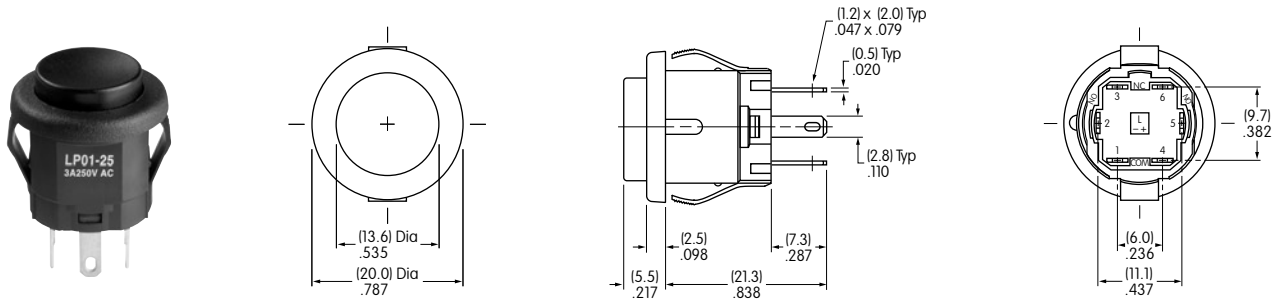
TYPICAL SWITCH DIMENSIONS

Snap-in • Single Pole



LP0115CMKW01C

Snap-in • Double Pole



LP0125CMKW01A

LEGENDS

Contact factory for specific details regarding the use of legends in your application.