

LOW PROFILE THREE FLANGE 2.5VA POWER TRANSFORMER APPROVED TO UL506 AND CSA C22.2 NO. 66-1988 AND USES A CLASS B (130°C) APPROVED INSULATION SYSTEM

A. Electrical Specifications (@ 25 °C)

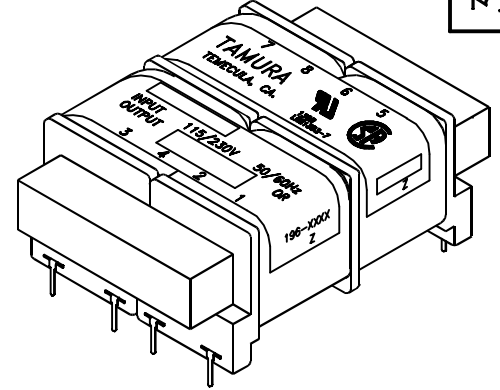
1. Maximum Power: 2.5VA
2. Input Voltage and Frequency: 115/230V 50/60Hz
3. Secondary Voltage: See Table A
4. Voltage Regulation: 35% TYP @ full load to no load
5. Temperature Rise: 35°C TYP (45°C MAX allowed)
6. Insulation Resistance:
100 MΩ MIN @ 500VDC, Pri to Sec, Pri to Core
100 MΩ MIN @ 500VDC, Sec to Core
7. Hi-Pot: 1500Vrms 1 minute @ Pri to Sec
1500Vrms 1 minute @ Pri to Core
1500Vrms 1 minute @ Sec to Core



UL# E145619

MODEL NUMBER
3FL & PF 2.5VA

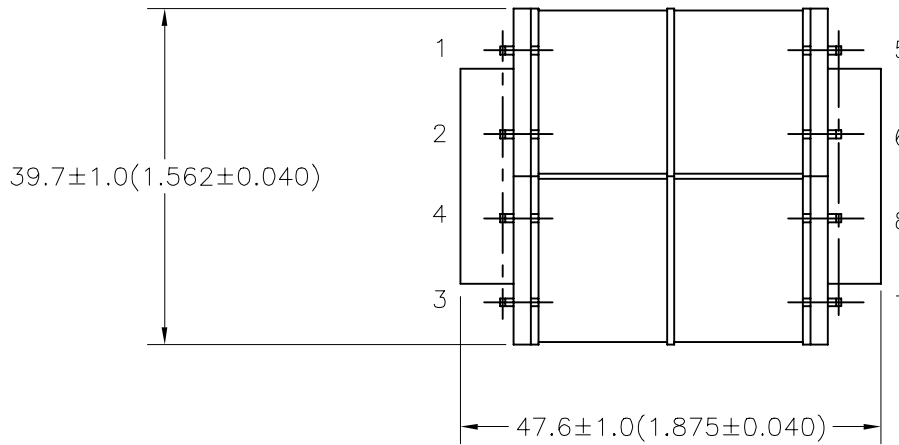
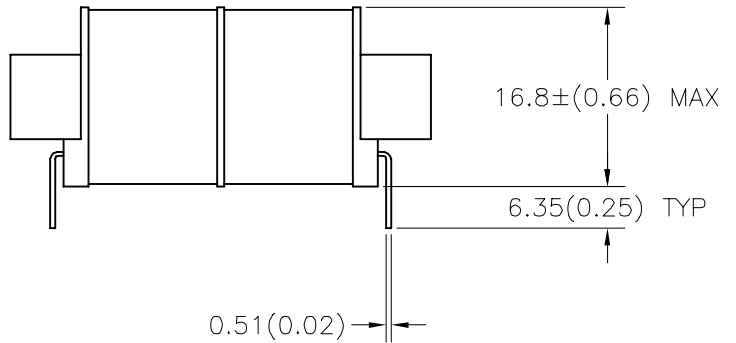
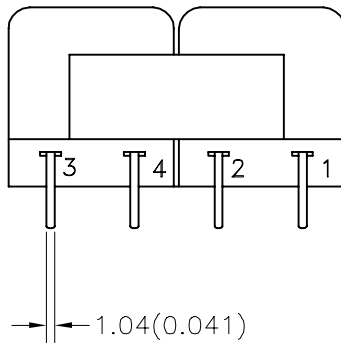
B. Marking: TAMURA, Tamura part number (see sheet 2), MICROTRAN, Microtran part number (see sheet 2), date code, country of origin, safety logos and input and output ratings



C. Safety:

UL approved, File E145619
Insulation Class B (130°C) File No. E92957
CSA Certified, File LR81383-7

D. Mechanical Specifications:



PREPARED BY:

D. Rund

ENGINEER:

T. Shiozawa

QUALITY CONTROL:

D. Kelley

APPROVED:

D. Kelley

DRAWING CONTROL NO.
P-A1-11568
ACAD\3F\A1115681.DWG

REV
-

MODEL DESCRIPTION
2.5VA 3FL & PF FAMILY
POWER TRANSFORMER

TAMURA CORPORATION OF AMERICA
43352 BUSINESS PARK DRIVE, TEMECULA, CA. 92590-6624
(909) 699-1270 FAX 9096769482

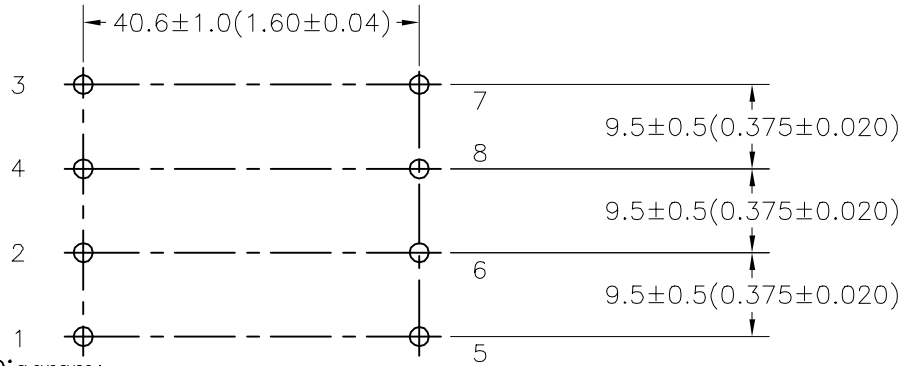
MODEL SPECIFICATION

3FL & PF 2.5VA

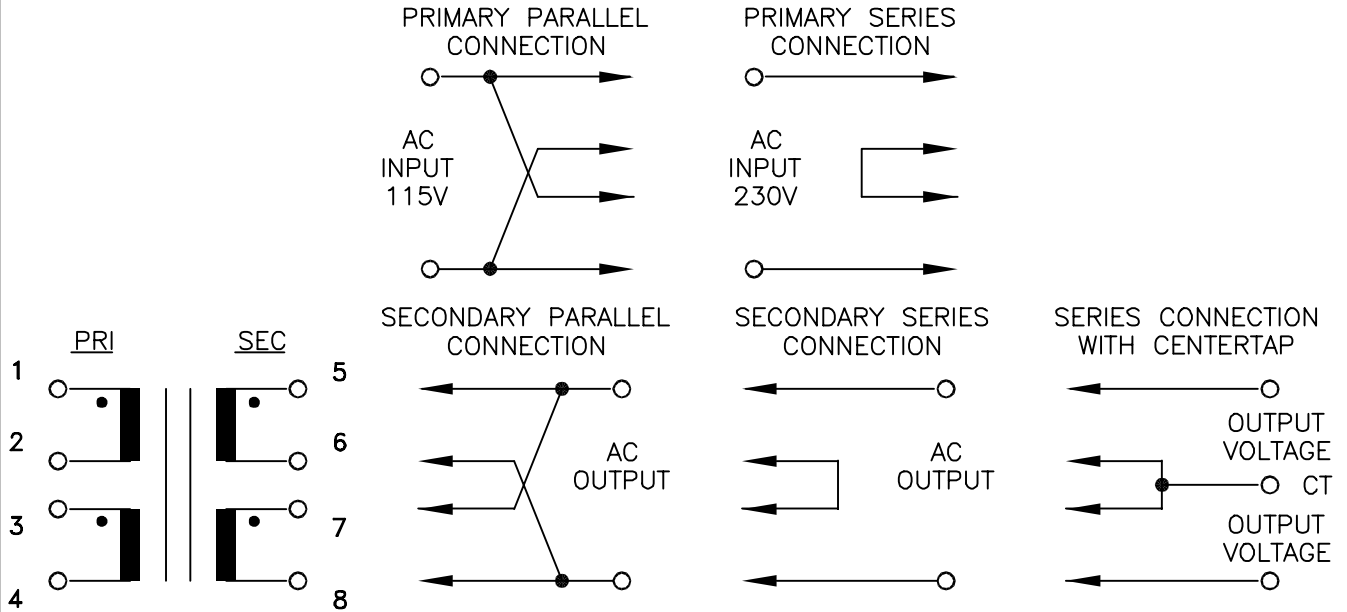
DIM: mm(in) SCL: NONE SH: 1 OF 2

PROPRIETARY NOTICE: THIS DRAWING PRINT OR DOCUMENT AND SUBJECT MATTER DISCLOSED HEREIN ARE PROPRIETARY ITEMS TO WHICH TAMURA RETAINS THE EXCLUSIVE RIGHT OF DISSEMINATION, REPRODUCTION, MANUFACTURE AND SALE. THIS DRAWING, PRINT OR DOCUMENT IS SUBMITTED IN CONFIDENCE FOR CONSIDERATION BY THE RECIPIENT ALONE UNLESS PERMISSION FOR FURTHER DISCLOSURE IS EXPRESSLY GRANTED IN WRITING.

E. Mounting Footprint:



F. Schematic Diagram:



G. Table A:

| TAMURA PART NO. | MICROTRAN PART NO. | PARALLEL CONNECTION | | SERIES CONNECTION | | SERIES CONNECTION WITH CT | |
|-----------------|--------------------|---------------------|----------|-------------------|----------|---------------------------|----------|
| | | AC VOLTS | RMS AMPS | AC VOLTS | RMS AMPS | AC VOLTS | RMS AMPS |
| 3FL10-250 | PF2.5-10 | 5.0 | 0.50 | 10.0 | 0.250 | 5.0-CT-5.0 | 0.250 |
| 3FL12-200 | PF2.5-12 | 6.3 | 0.40 | 12.6 | 0.200 | 6.3-CT-6.3 | 0.200 |
| 3FL16-150 | PF2.5-16 | 8.0 | 0.30 | 16.0 | 0.150 | 8.0-CT-8.0 | 0.150 |
| 3FL20-125 | PF2.5-20 | 10.0 | 0.25 | 20.0 | 0.125 | 10.0-CT-10.0 | 0.125 |
| 3FL24-100 | PF2.5-24 | 12.0 | 0.20 | 24.0 | 0.100 | 12.0-CT-12.0 | 0.100 |
| 3FL30-85 | PF2.5-30 | 15.0 | 0.17 | 30.0 | 0.085 | 15.0-CT-15.0 | 0.085 |
| 3FL34-75 | PF2.5-34 | 17.0 | 0.15 | 34.0 | 0.075 | 17.0-CT-17.0 | 0.075 |
| 3FL40-60 | N/A | 20.0 | 0.12 | 40.0 | 0.060 | 20.0-CT-20.0 | 0.060 |
| 3FL56-45 | PF2.5-56 | 28.0 | 0.09 | 56.0 | 0.045 | 28.0-CT-28.0 | 0.045 |
| 3FL88-28 | N/A | 44.0 | 0.056 | 88.0 | 0.028 | 44.0-CT-44.0 | 0.028 |
| 3FL120-20 | N/A | 60.0 | 0.040 | 120.0 | 0.020 | 60.0-CT-60.0 | 0.020 |
| 3FL230-10 | N/A | 115.0 | 0.020 | 230.0 | 0.010 | 115.0-CT-115.0 | 0.010 |

PREPARED BY:

D. Rund

ENGINEER:

T. Shiozawa

QUALITY CONTROL:

D. Kelley

APPROVED:

D. Kelley

DRAWING CONTROL NO. P-A1-11568
ACAD\3F\A1115682.DWG
REV -
CONTENTS OF THIS DRAWING ARE SUBJECT TO CHANGE WITHOUT PRIOR NOTICE

MODEL DESCRIPTION
2.5VA 3FL & PF FAMILY
POWER TRANSFORMER
TAMURA CORPORATION OF AMERICA
43352 BUSINESS PARK DRIVE, TEMECULA, CA. 92590-6624
(909) 699-1270 FAX 9096769482

MODEL SPECIFICATION
3FL & PF 2.5VA
DIM: mm(In) SCL: NONE SH: 2 OF 2

PROPRIETARY NOTICE: THIS DRAWING PRINT OR DOCUMENT AND SUBJECT MATTER DISCLOSED HEREIN ARE PROPRIETARY ITEMS TO WHICH TAMURA RETAINS THE EXCLUSIVE RIGHT OF DISSEMINATION, REPRODUCTION, MANUFACTURE AND SALE. THIS DRAWING, PRINT OR DOCUMENT IS SUBMITTED IN CONFIDENCE FOR CONSIDERATION BY THE RECIPIENT ALONE UNLESS PERMISSION FOR FURTHER DISCLOSURE IS EXPRESSLY GRANTED IN WRITING.

MODEL NUMBER

3FL & PF 2.5VA