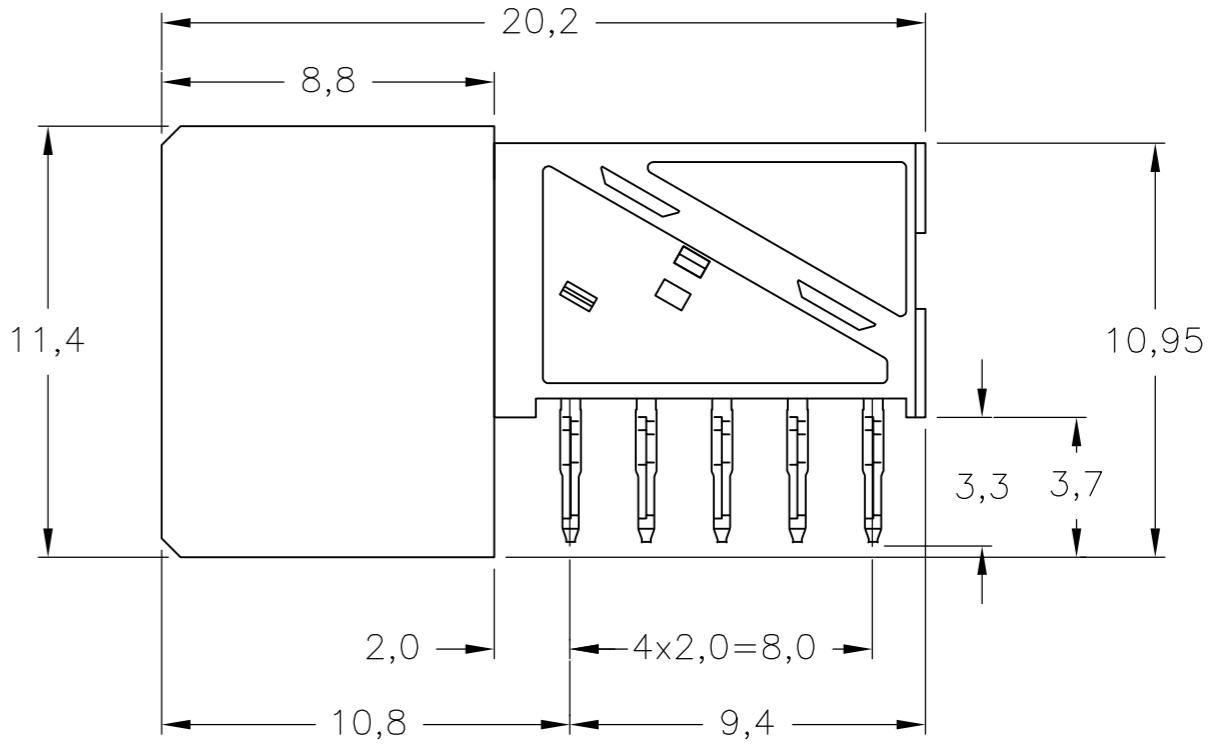
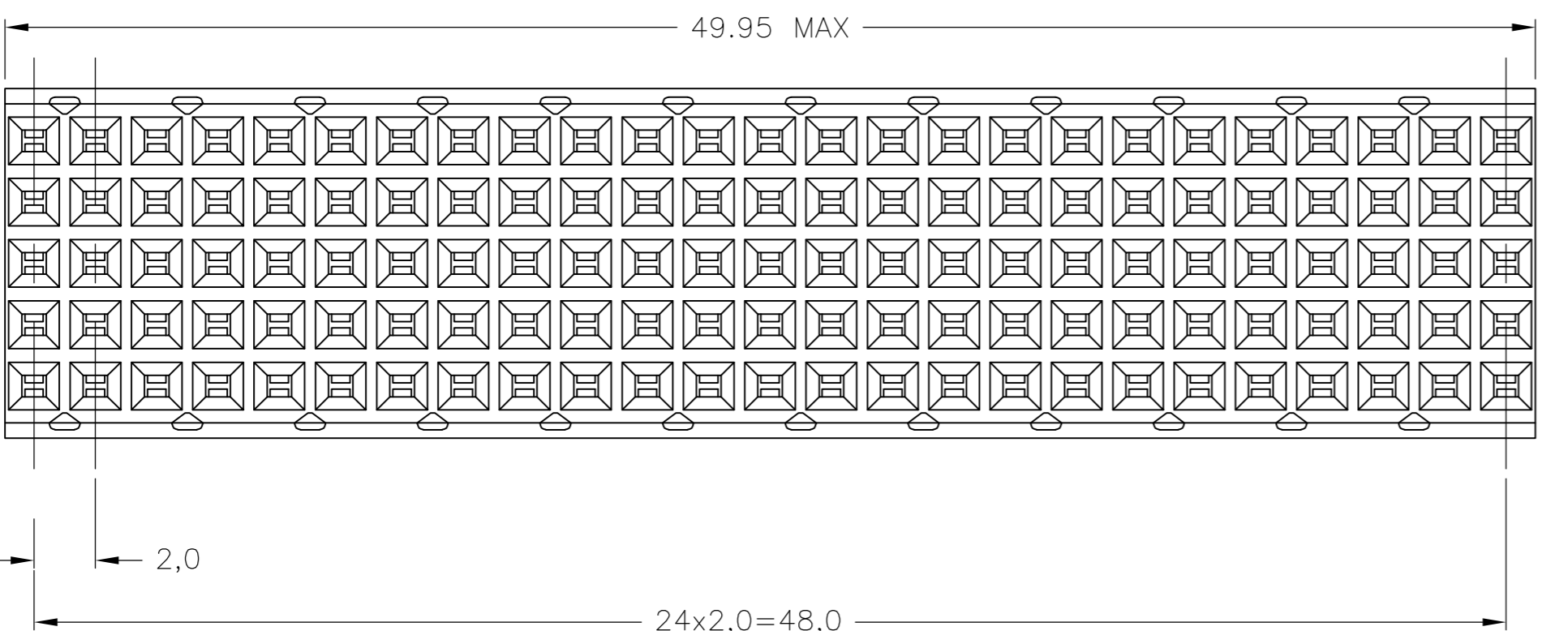
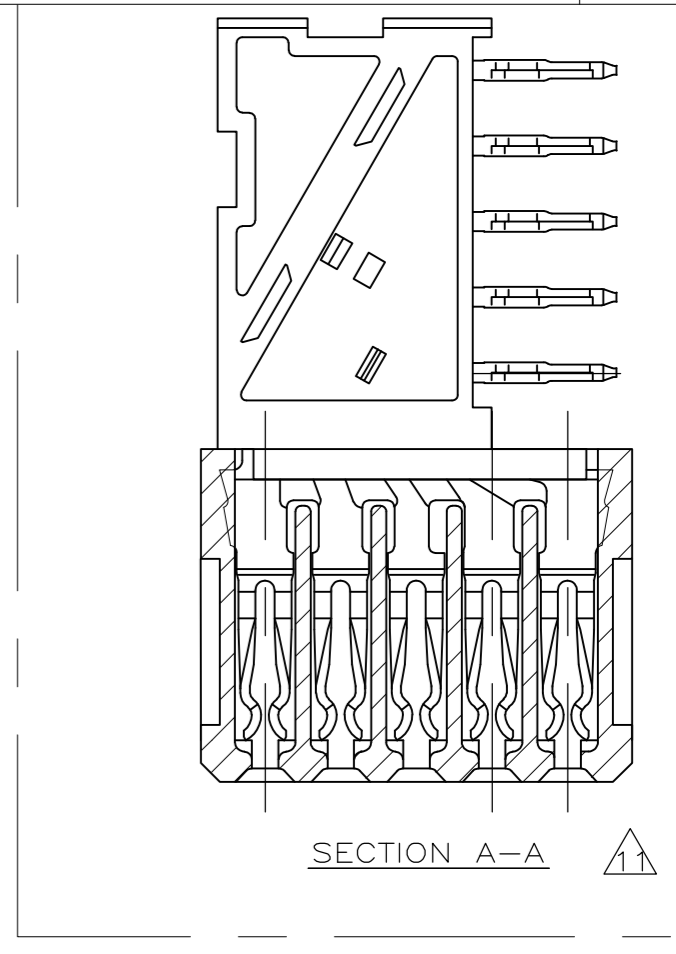
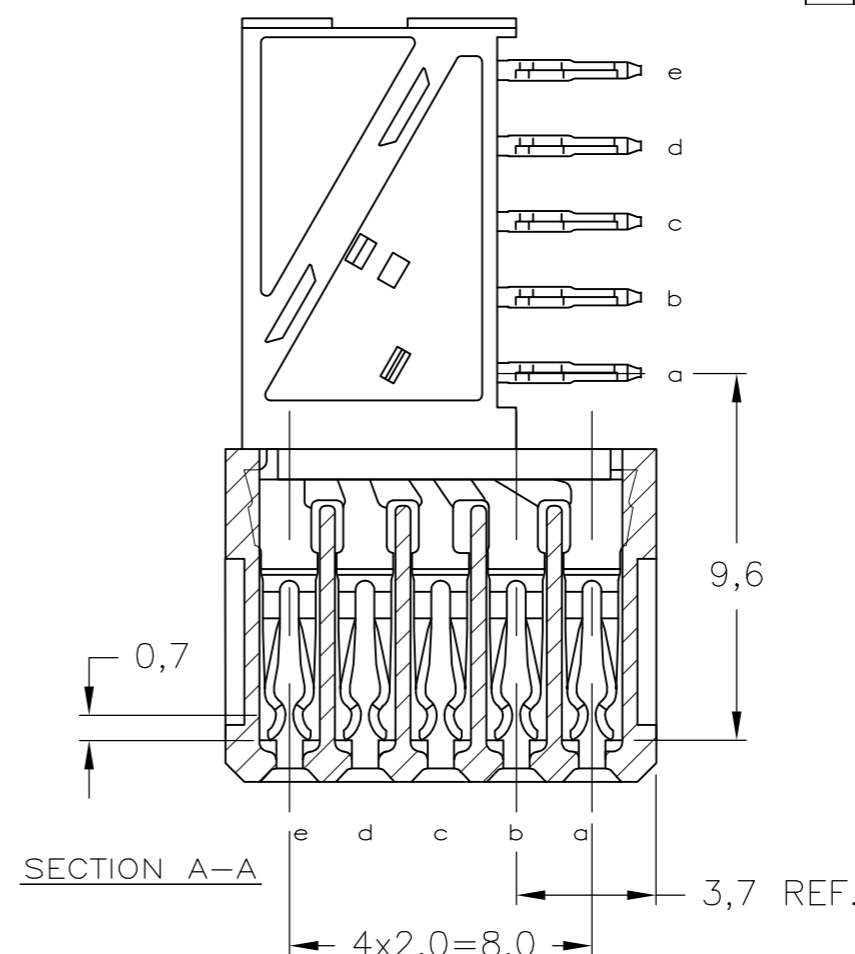
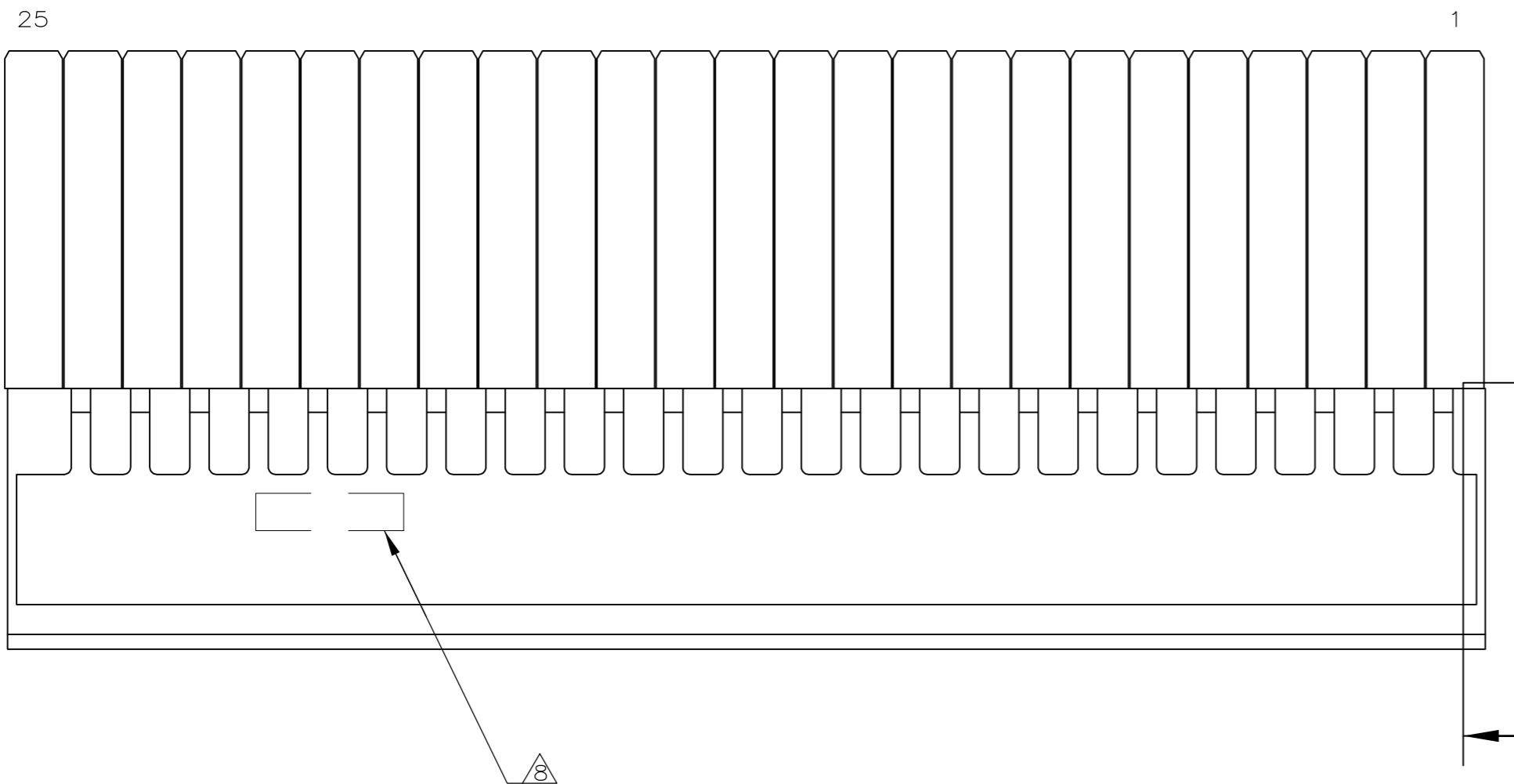


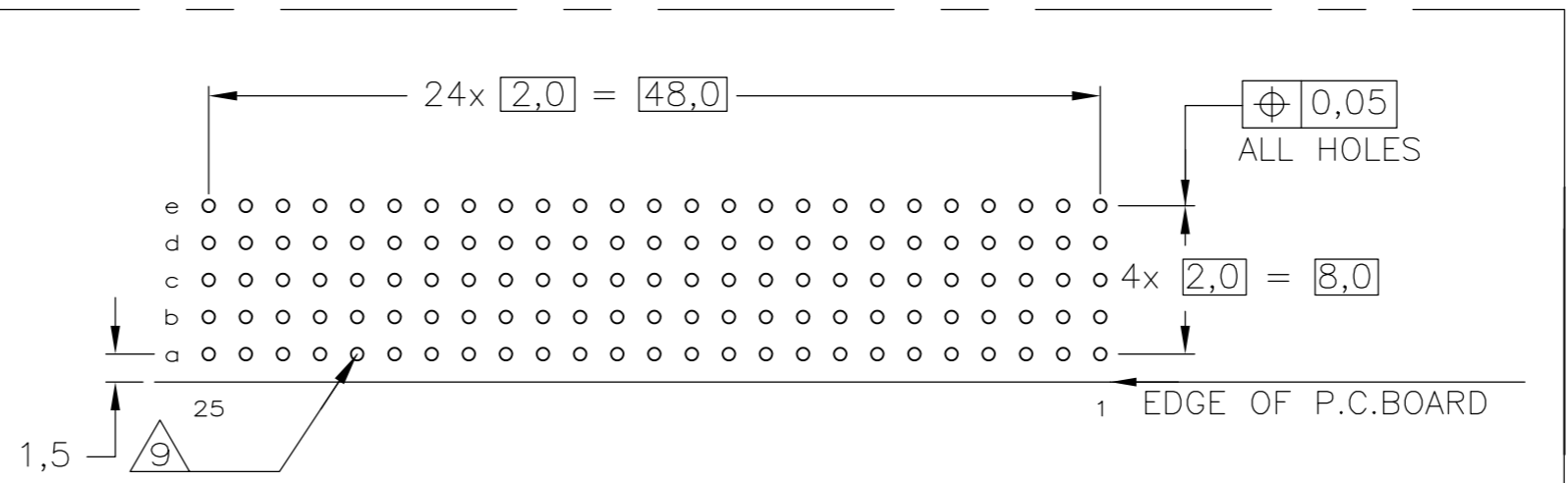
THIS DRAWING IS UNPUBLISHED. RELEASED FOR PUBLICATION
 © COPYRIGHT - By - ALL RIGHTS RESERVED.

| REVISIONS | | | | |
|-----------|-----|---------------|-----------|-------|
| P | LTR | DESCRIPTION | DATE | APVD |
| G | | ECR-16-013297 | 21JUL2017 | FL SY |



NOTES:

- 1 MATERIAL CONTACT; PHOSPHORBRONZE
MATERIAL HOUSING; GLASSFILLED POLYESTER (GRAY)
UL-RATING 94V0.
- 2 GENERAL PLATING SPECIFICATION: UNDERPLATING (ENTIRE CONTACT): 1,27µm NICKEL MIN. AND ACTION PIN: 0,5µm TIN MIN. FOR PLATING OF MATING SURFACES SEE APPLICABLE SPECIFICATION REFERENCE FOR EACH DASH NUMBER.
- 3 CONFORMS TO ALL TESTING ACCORDING IEC 61076-4-101 PERFORMANCE LEVEL 2.
- 4 CONFORMS TO ALL TESTING ACCORDING IEC 61076-4-101 PERFORMANCE LEVEL 1.
- 5 CONNECTOR TESTED AND QUALIFIED AGAINST TELCORDIA GR-1217-CORE QUALITY LEVEL III, CENTRAL OFFICE APPLICATIONS.
- 6 CONNECTOR TESTED AND QUALIFIED AGAINST TELCORDIA GR-1217-CORE QUALITY LEVEL III, UNCONTROLLED ENVIRONMENT APPLICATIONS.
- 7 CONNECTOR LUBRICATED WITH TELCORDIA GR-1217-CORE APPROVED LUBRICANT.
- 8 CONNECTOR PRINTED WITH PARTNUMBER AND DATECODE
THE MARKING CAN APPEAR ON THE FRONT SIDE OR ON THE BACK SIDE.
- 9 PLATED-THROUGH HOLES AT 2x2mm SQUARE GRID. 125 HOLES
- 10 FITS WITH INTEGRATED GROUND RETURN UPPERSHIELD, BASIC P.N. 5338109 AND INTEGRATED GROUND RETURN LOWERSHIELD, BASIC P.N. 5338110
- 11 CONNECTOR ASSEMBLED WITH REDESIGNED CONTACTS.
- 12 OBSOLETE PARTS: OBSOLETE CIS STREAMLINING PER D.RENAUD/D.SINISI
- 13 0,76µm MIN. GOLD PLATING AT MATING SURFACES.



SCALE 2,5:1
 COMPONENT SIDE AS SHOWN
 RECOMMENDED PCB-HOLE LAY-OUT

P.C.B. HOLE DIM. ACTION PIN
 FOR DETAILS SEE APPLICATION SPECIFICATION

| FINISH | MATERIAL | PARTNUMBER |
|-------------|----------|------------|
| 3-5100145-0 | | |
| 1-5100145-9 | | |
| 5100145-9 | | |
| 5100145-4 | | |
| 5100145-1 | | |

| | | | | |
|--|--|-------------------------------|---|--|
| THIS DRAWING IS A CONTROLLED DOCUMENT. | | DWN K.N.KIRAN 05AUG2004 | TE Connectivity | |
| DIMENSIONS: mm | | CHK B.MOOIJ 22SEP2004 | Z-PACK 2mm HM TYPE B 125 POS. FEMALE CONNECTOR | |
| TOLERANCES UNLESS OTHERWISE SPECIFIED: | | APVD B.MOOIJ 22SEP2004 | NAME | |
| 6-PLC ± | | PRODUCT SPEC | 108-19082 | |
| 1-PLC ± | | APPLICATION SPEC | 114-19029 | |
| 2-PLC ± | | WEIGHT | 0.0000 | |
| 3-PLC ± | | SIZE | A2 | |
| 4-PLC ± | | CAGE CODE | 00779 | |
| ANGLES ± | | DRAWING NO | C=5100145 | |
| FINISH | | RESTRICTED TO | - | |
| MATERIAL | | SCALE | 4:1 | |
| - | | SHEET | 1 of 1 | |
| - | | REV | G | |