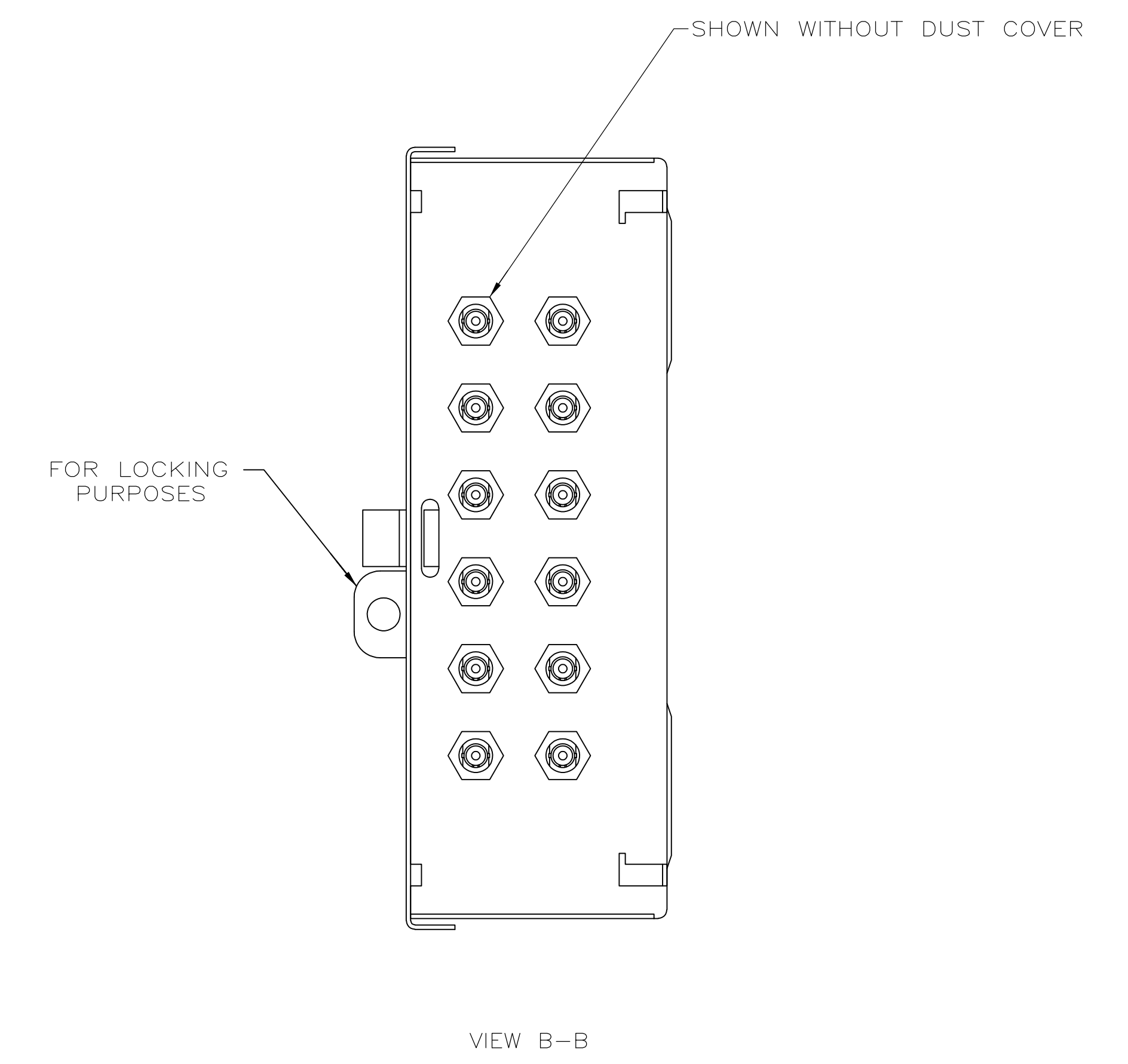
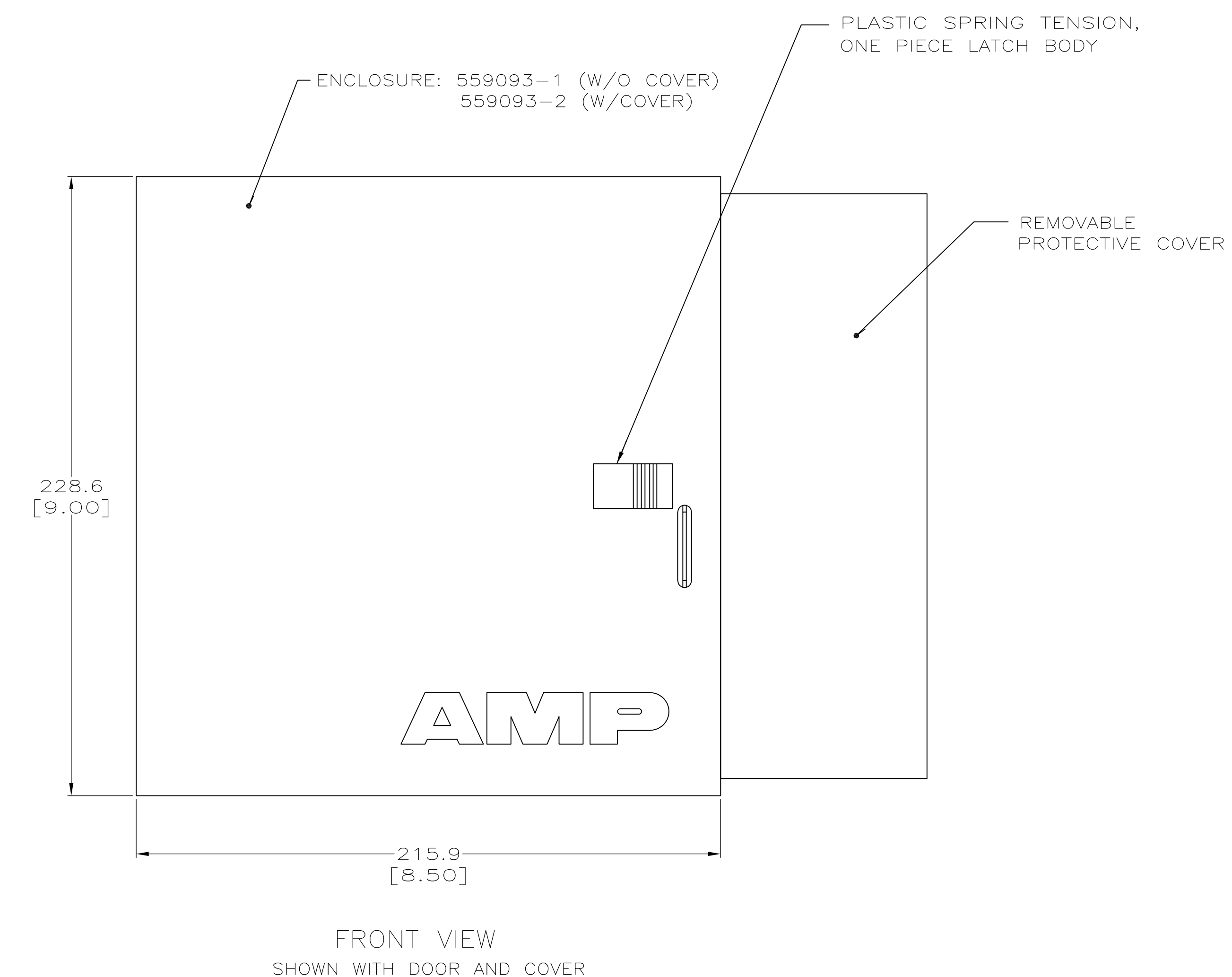
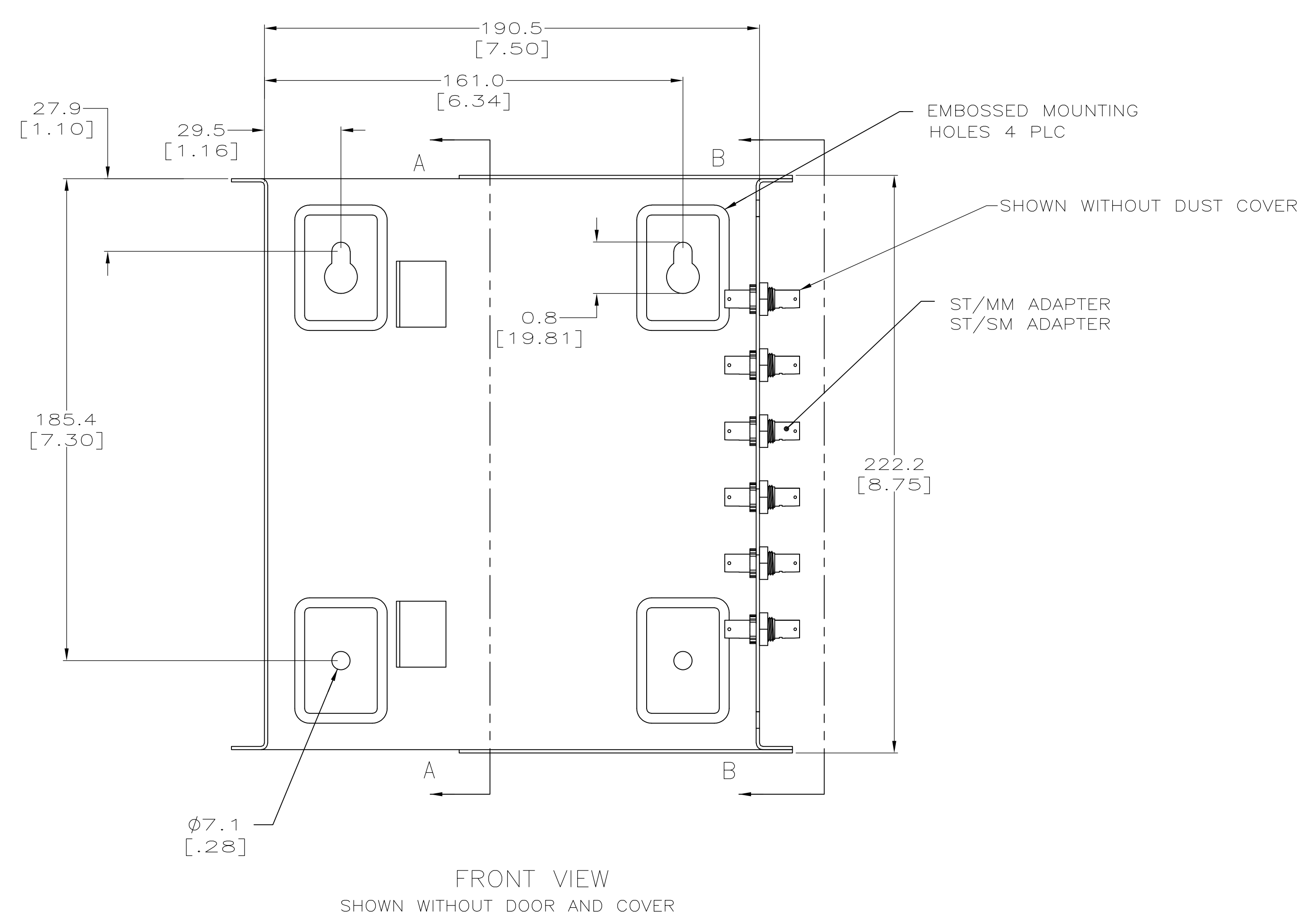
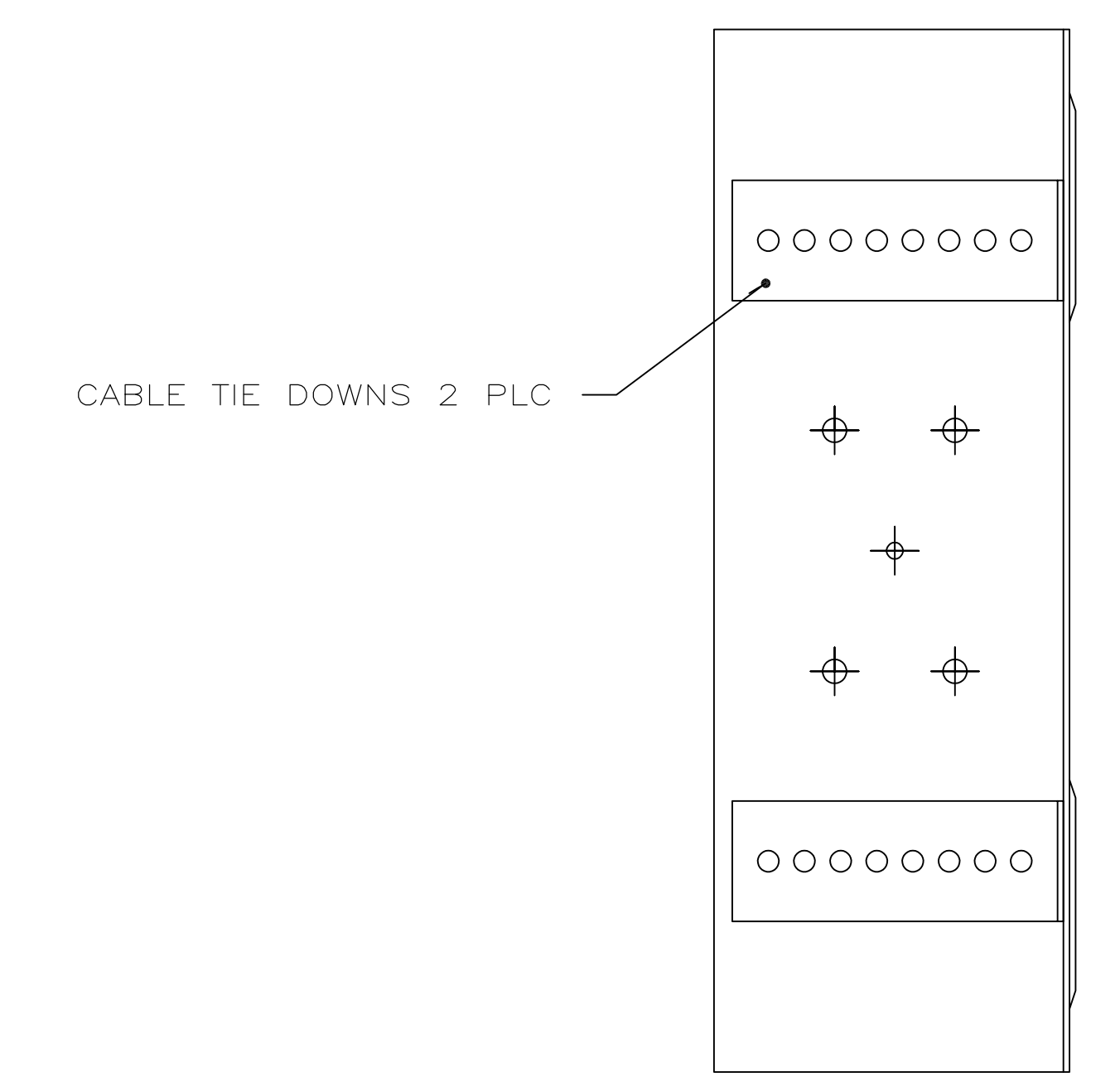
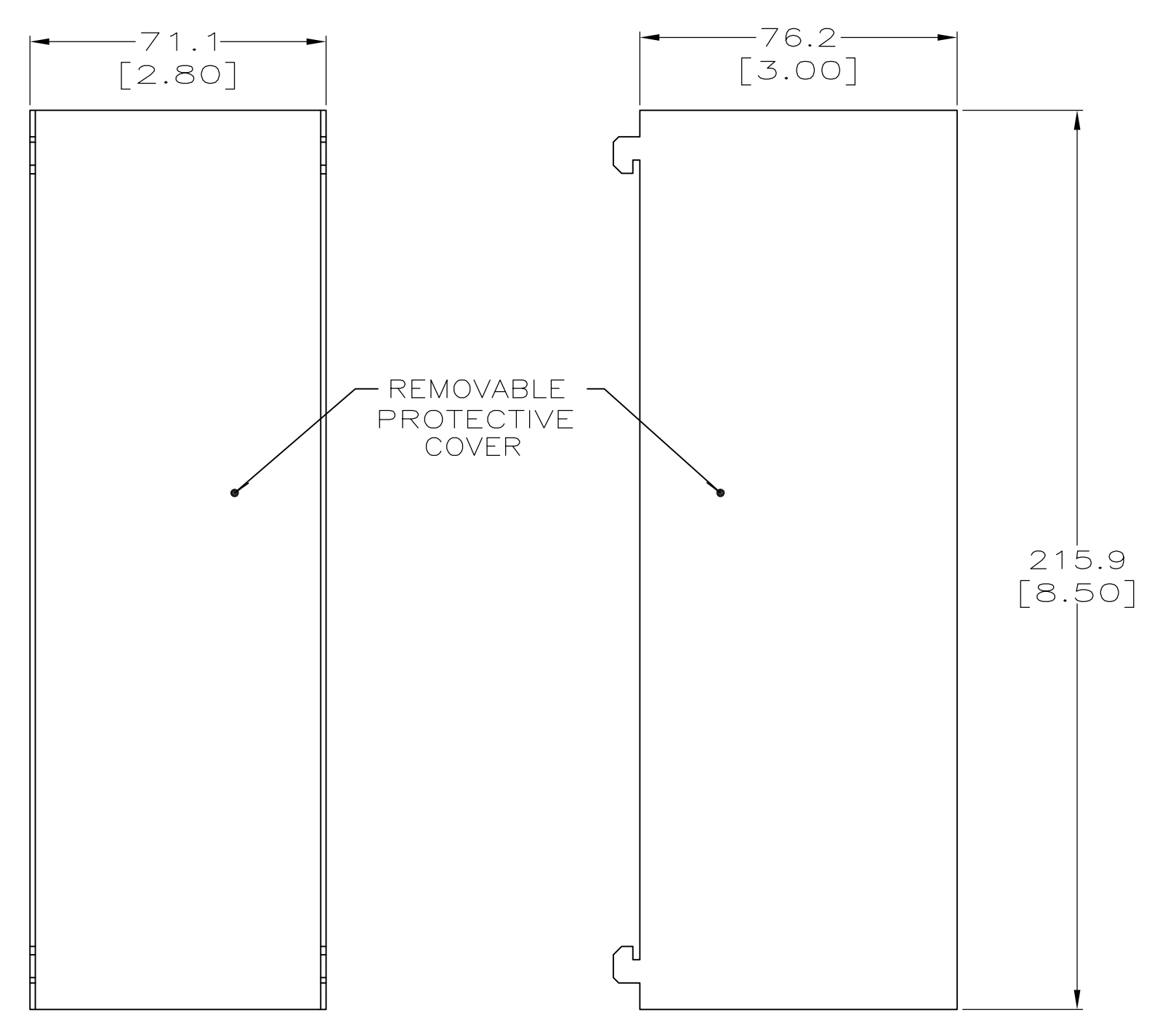
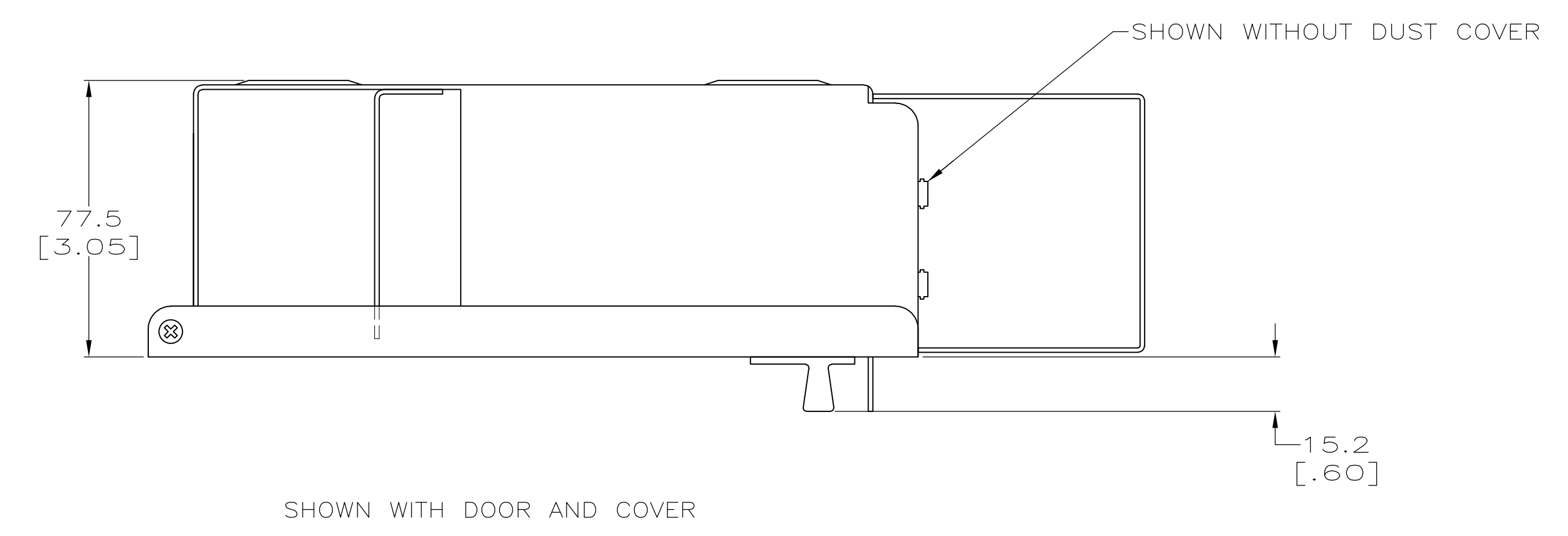


REVISONS		DATE	DRW	APPV
EW	16			
F	LTB			
D	ECO-13-016084		EMCTDZS	JM TE



OBSELETE	MULTIMODE	LIGHT ALMOND	WITH PROTECTIVE COVER	559094-6
OBSELETE	MULTIMODE	LIGHT ALMOND	WITHOUT PROTECTIVE COVER	559094-5
OBSELETE	SINGLEMODE	BLACK ANODIZED	WITH PROTECTIVE COVER	559094-4
OBSELETE	SINGLEMODE	BLACK ANODIZED	WITHOUT PROTECTIVE COVER	559094-3
OBSELETE	MULTIMODE	BLACK ANODIZED	WITH PROTECTIVE COVER	559094-2
OBSELETE	MULTIMODE	BLACK ANODIZED	WITHOUT PROTECTIVE COVER	559094-1
COUPLING BUSHING		FINISH	DESCRIPTION	PART NO.
DIMENSIONS		TOLERANCES UNLESS OTHERWISE SPECIFIED	DWG: R. R. SCHAEFER 2-7-91 CHK: C. HOFFER 2-7-91 NAME: J. EBERLE PRODUCT SPEC: — APPLICATION SPEC: — SIZE: — LOCK CODE: — DRAWING NO: A0 00779 AMP INCORPORATED HARRISBURG, PA. 17103-3608 ASSEMBLY, ENCLOSURE DISTRIBUTION PANEL 12/PT. ST'S, WALL MTD © 559094 SCALE: 75:1 SHEET 1 of 2 REV D CUSTOMER DRAWING	
MATERIAL: ALUMINUM	WEIGHT: —	FINISH: —	WEIGHT: —	—

