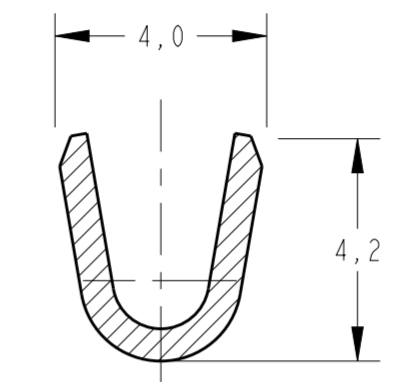
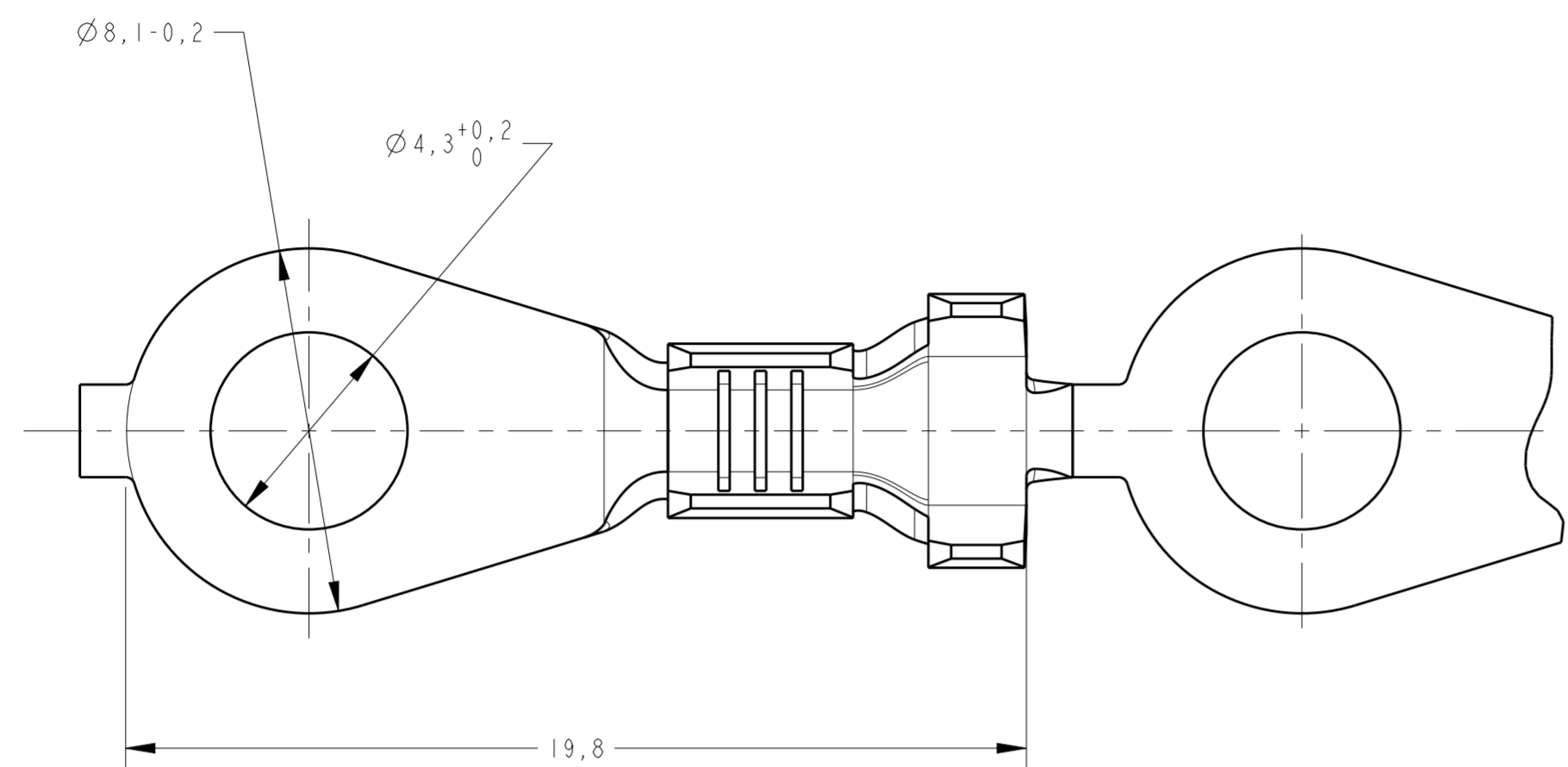


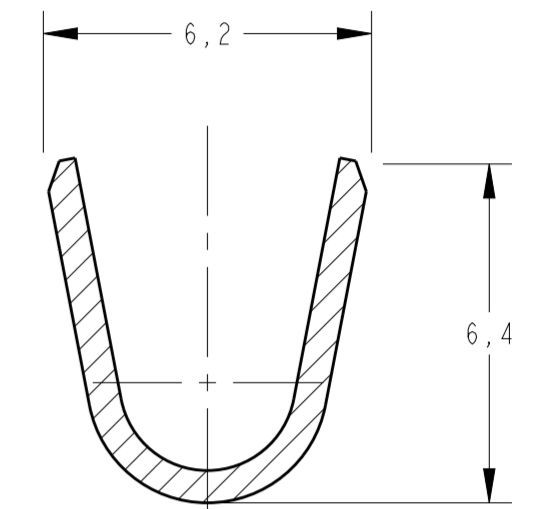
THIS DRAWING IS UNPUBLISHED. RELEASED FOR PUBLICATION 20
 © COPYRIGHT 20 BY - ALL RIGHTS RESERVED.

creo
 Creo Parametric 2.0
**DO NOT REVISE
 EXCEPT BY CAD**

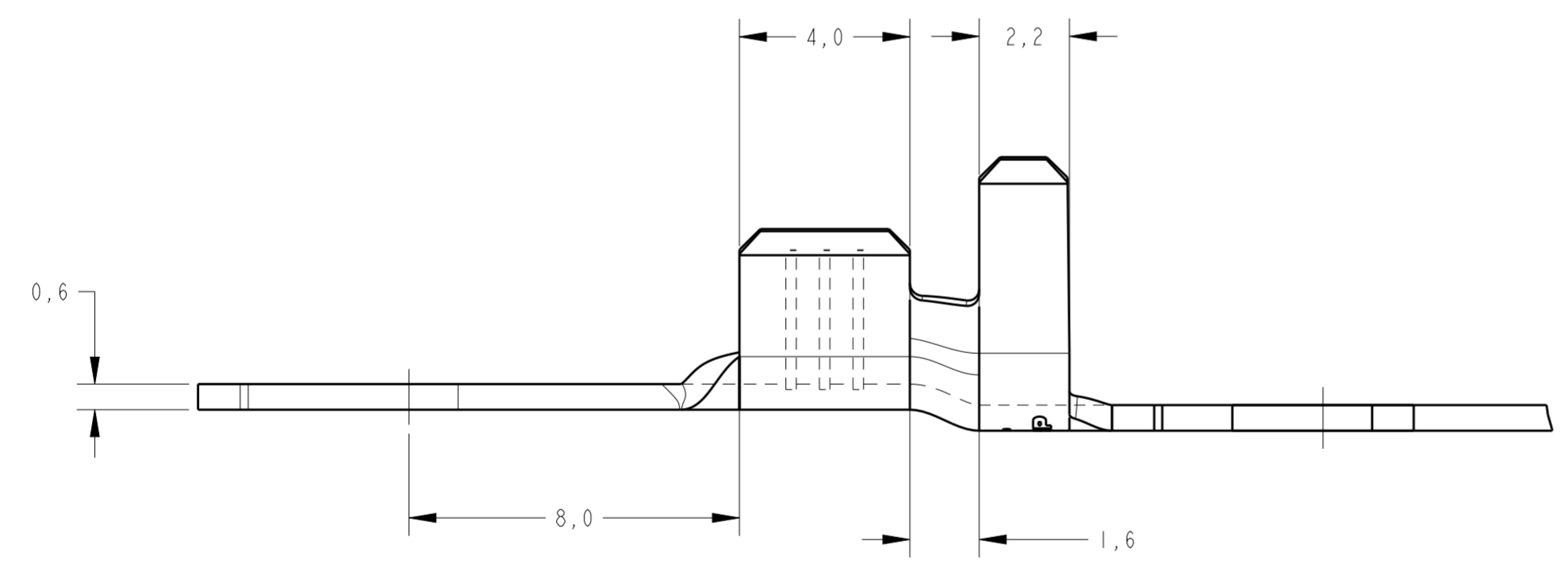
REVISIONS				
P	LTR	DESCRIPTION	DATE	APVD
B3		REV. BY ECO 17-007730	29MAY2017	HC WLS



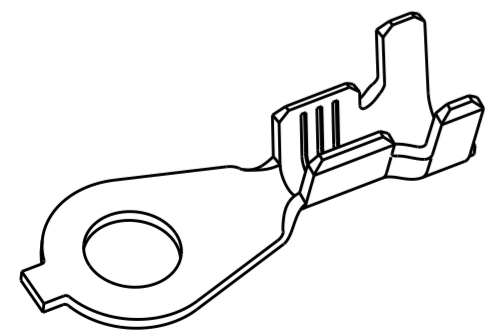
SECTION A-A
 SCALE 7:1



SECTION B-B
 SCALE 7:1



I - REBOBINAR INTERCALADO COM PAPEL.
 - REELING WITH PAPER-INTERLEAVE.



PERSPECTIVE VIEW
 SCALE 3:1

PEÇA SOLTA / LOOSE PIECE	ESTANHADO / TIN PLATED	MF-2	1-880642-2
PEÇA SOLTA / LOOSE PIECE	—	MF-1	1-880642-1
—	ESTANHADO / TIN PLATED	LATÃO / BRASS	880642-4
—	—	BRONZE FOSF./PHOSP. BRONZE	880642-3
—	ESTANHADO / TIN PLATED	LATÃO / BRASS	880642-2
—	—	LATÃO / BRASS	880642-1
LOOSE PIECE	FINISH	MATERIAL	PART NUMBER

THIS DRAWING IS A CONTROLLED DOCUMENT.		DWN: NCLAPRESA 09DEC2014	TE Connectivity	
DIMENSIONS: mm		CHK: ECHRISTIANO 09DEC2014		
		APVD: LWPRADO 09DEC2014		
TOLERANCES UNLESS OTHERWISE SPECIFIED:		PRODUCT SPEC	NAME: RING TONGUE	
0 PLC ±		APPLICATION SPEC	SIZE: A2	
1 PLC ±0,3		WEIGHT	CAGE CODE: -	
2 PLC ±		CUSTOMER DRAWING	DRAWING NO: C-880642	
3 PLC ±		SCALE: 7:1	SHEET 1 OF 1	
4 PLC ±		RESTRICTED TO	REV: B3	
ANGLES ±°				
FINISH				
MATERIAL: SEE TABLE				
WIRE RANGE: >1,0-2,5mm ²				