

REVISION R

DIMENSIONS ARE IN INCHES		UNLESS OTHERWISE NOTED		TOLERANCES ARE:		TITLE:	DWG NO:
ONE PLACE DECIMALS ± .1 [2.54]	THREE PLACE DECIMALS ± .005 [.127]	ANGLES ± 2°	FOUR PLACE DECIMALS ± .0020 [.051]			1mm DUAL ROW STRIP ASSEMBLY	MLE-1XX-XX-X-DV-X
						SHEET 1 OF 3	

PATENT NUMBERS
5713755 / 5961339

MLE-1XX-XX-X-DV-X

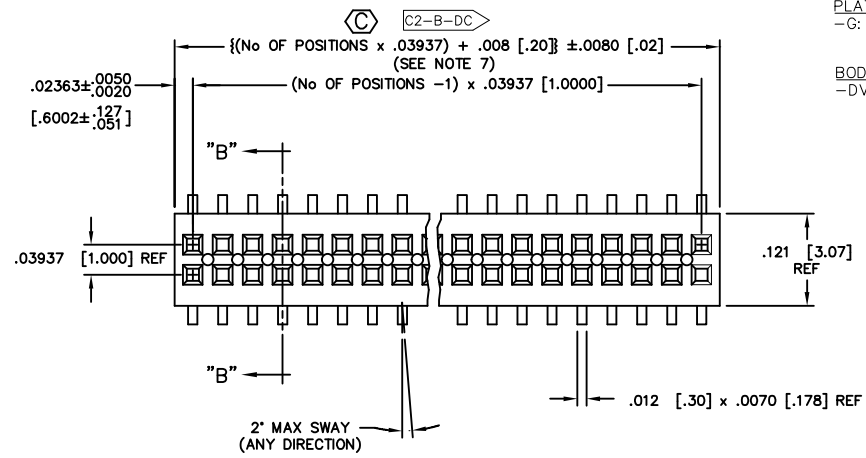
No OF POSITIONS
-02 THRU -75
(PER ROW)

LEAD STYLE
-01: SURFACE MOUNT
(USE C-99-01-X)

PLATING SPECIFICATION
-G: .000010 GOLD ON .000050
TO .000100 NICKEL

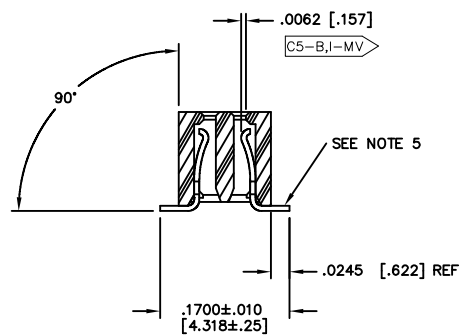
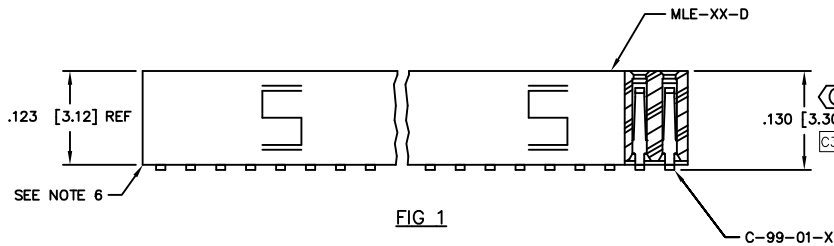
BODY SPECIFICATION
-DV: DOUBLE VERTICAL
(USE MLE-XX-D)

OPTION
-A: ALIGNMENT PIN (SEE FIG 2 & 3, SHT 2)
(USE MLE-XX-D-XX)
(MOLDED TO POSITION OR STAKED)
(SAMTEC DISCRETION WHICH -A PIN IS USED)
(MOLDED 3 POSITION MIN. SEE FIG 2, SHT 2)
(STAKED 7 POSITION MIN. SEE FIG 3, SHT 2)
-P: PICK & PLACE PAD
(SEE FIG 4, SHT 2) (USE LMP-01)
POSITIONS -05, AND -06 MUST BE PACKAGED IN T&R
(AVAILABLE ON POSITIONS -05 THRU -75 ONLY)
-K: POLYIMIDE FILM PAD (SEE FIG 5, SHT 2)
(-05 POSITIONS MINIMUM)
(USE K-DOT-.157-.250-.005)
-TR: TAPE & REEL (SEE FIG 6, SHT 3)



ASSEMBLY OPERATION	IN-PROCESS INSPECTION
FILL C-99-01-X	C3, C5
CUT MLE-XX-D TO LENGTH	C2
INSTALL SM-A7H	C4

DO NOT SCALE FROM THIS PRINT



- NOTES:
- MINIMUM PUSHOUT FORCE: .5 lb.
 - COPLANARITY; POS -02 THRU -26: .004 [.10]
POS -27 THRU -75: .006 [.15]
 - Ⓢ REPRESENTS A CRITICAL DIMENSION.
 - POSITIONS -05, -06 WITH PADS TO BE PACKAGED IN T&R, POSITIONS -05, 06 WITHOUT PADS AND POSITIONS -07 THRU -75 WITH OR WITHOUT PADS TO BE PACKAGED IN TUBES, POSITIONS -02 THRU -04 TO BE LAYER PACKAGED.
 - BURR ALLOWANCE: .003 [.08] MAX
 - .010 [.25] MAX CUT FLASH NOT TO PROTRUDE BELOW LEADS.
 - WILL LOSE TWO POSITIONS FOR EVERY CUT MADE. MAXIMUM CUT FLASH TO BE .010 [.25] WITH NO FLASH IN HOLES OR EXTENDING BELOW LEADS.
 - ENDWALL THICKNESS TO BE SYMMETRICAL WITHIN .005 [.13].

Ⓢ-E-0G Ⓢ

PROPRIETARY NOTE
THIS DOCUMENT CONTAINS INFORMATION CONFIDENTIAL AND PROPRIETARY TO SAMTEC INC. AND SHALL NOT BE REPRODUCED OR TRANSMITTED TO OTHER DOCUMENTS OR INCLUDED TO OTHERS OR USED FOR ANY PURPOSE OTHER THAN THAT FOR WHICH IT WAS OBTAINED WITHOUT THE EXPRESS WRITTEN CONSENT OF SAMTEC INC.

MATERIAL: INSULATOR: BLACK LIQUID CRYSTAL POLYMER TERMINAL: BERYLLIUM COPPER	 <small>EXISPROD\ASSEMBLY\1MM MLE-ASM</small> 520 PARK EAST BLVD. NEW ALBANY, INDIANA 47150 PHONE (812) 944-6733 P.O. BOX 1147 CODE 55322	
	MADE BY: D PURVIS 01-07-97	MLE-1XX-XX-X-DV-X <small>SHEET 1 OF 3</small>