

**SO SERIES**

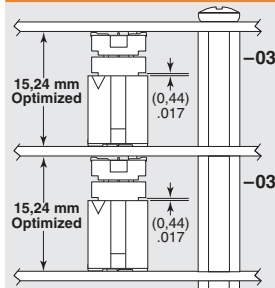
# PRECISION BOARD STACKING STANDOFF

**SPECIFICATIONS**

For complete specifications and recommended PCB layouts see [www.samtec.com?SO](http://www.samtec.com?SO)

**Material:** Aluminum  
**Locking Compound:** Nylon

**APPLICATIONS**



See QMS/QFS Series SUMIT™ & PCI/104-Express™ connectors

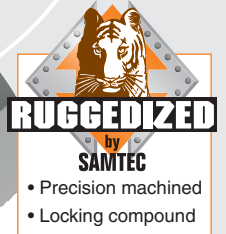
Requires Standoff SO-1524-03-01-02-L 15.24mm board spacing. Connectors designed to not fully seat when mated.

**APPLICATIONS**



Ideal for use with all Samtec SI connectors

Precision machined tolerances ( $\pm .002"$  (0,05 mm))



- Precision machined
- Locking compound

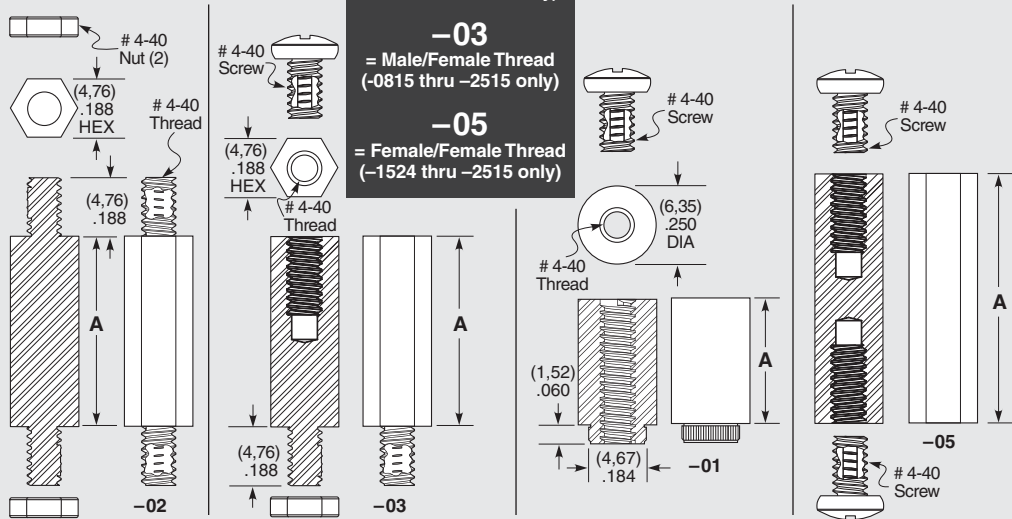
Stack heights from 5 mm to 25 mm

**ALSO AVAILABLE (MOQ Required)**

- Other heights
  - Stainless Steel
  - Locking compound removed
  - Other materials and threading
  - No Hardware
- Contact Samtec.

<b>SO</b>	<b>BOARD STACKER</b>	<b>LEAD STYLE</b>	<b>THREAD STYLE</b>	<b>01</b>	<b>L</b>
<b>Specify BOARD STACKER from chart</b>		<b>-01</b> = Female Thread/Press-In (-0515 thru -0865 only)	<b>-01</b> = #4-40 Thread	<b>-L</b> = -02 & -03 Lead Style thread locking compound (Leave blank for -01 Lead Style)	
		<b>-02</b> = Male/Male Thread (-0515 and -1115 thru -2515 only)	<b>-02</b> = M3 x 0.5 Thread		
		<b>-03</b> = Male/Female Thread (-0815 thru -2515 only)			
		<b>-05</b> = Female/Female Thread (-1524 thru -2515 only)			

BOARD STACKER	A	BOARD STACK HEIGHT
-0515	(5,15) .203	5 mm
-0715	(7,15) .282	7 mm
-0815	(8,15) .321	8 mm
-0865	(8,65) .341	8,5 mm
-1115	(11,15) .439	11 mm
-1215	(12,15) .478	12 mm
-1524	(15,24) .600	15,24 mm
-1615	(16,15) .636	16 mm
-1890	(18,90) .744	18,75 mm
-1915	(19,15) .754	19 mm
-2515	(25,15) .990	25 mm



Components are to be packaged in separate bags unassembled.

**Notes:**  
 Standoffs are designed, 0,15 mm longer than connector stack heights to allow for processing variables.

Some sizes, styles and options are non-standard, non-returnable.