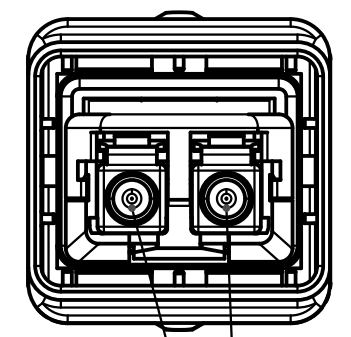


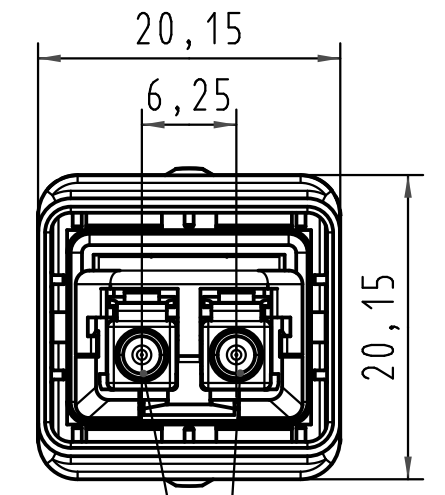
X
(without protection hood)

Loading-Plan

Y
(without protection hood)



A — blue — B
 B — orange — A



-Protection level: IP67/65
 -Temperature range: -40°C ...+70°C

Cont No.	Type of cable	Part-No.	Dim. a
9	High strength fiber optic breakout cable Single Mode	33 58 211 300 0002	300 m
8	High strength fiber optic breakout cable Single Mode	33 58 211 100 0002	100 m
7	High strength fiber optic breakout cable Single Mode	33 58 211 060 0002	60 m
6	High strength fiber optic breakout cable Single Mode	33 58 211 050 0002	50 m
5	High strength fiber optic breakout cable Single Mode	33 58 211 040 0002	40 m
4	High strength fiber optic breakout cable Single Mode	33 58 211 020 0002	20 m
3	High strength fiber optic breakout cable Single Mode	33 58 211 010 0002	10 m
2	High strength fiber optic breakout cable Single Mode	33 58 211 005 0002	5 m
1	High strength fiber optic breakout cable Single Mode	33 58 211 001 0002	1 m

All Dimensions in mm Original Size DIN A 3			Techn. Character.			Nicht tolerierte Maß/Free size tolerances				
				Dat.	Name	Maßstab/Scale 2:1	PushPull fiber optic assembly 2xPushPull LC DUPLEX, plastic Single Mode			
			Detail.	20.08.08	MR					
			Insp.	20.08.08	RA					
			Stand.							
DRS506A	21.05.09	MS					TB 33 58 211 xxx 0002			
EC00166	17.02.09	MR								
35590	13.01.09	MR								
35014			HARTING Electronics GmbH & Co. KG D-32339 ESPELKAMP				Blatt/page			
Mod.	Dat.	Name					Sub.	Sub		