

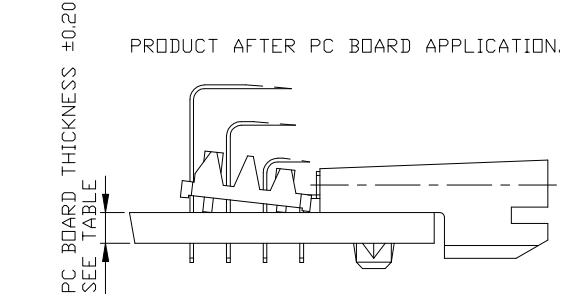
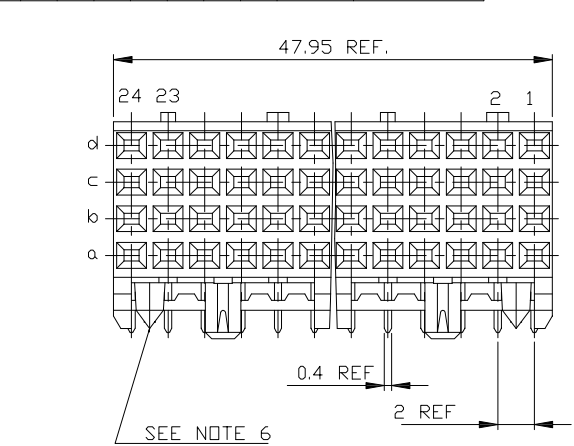
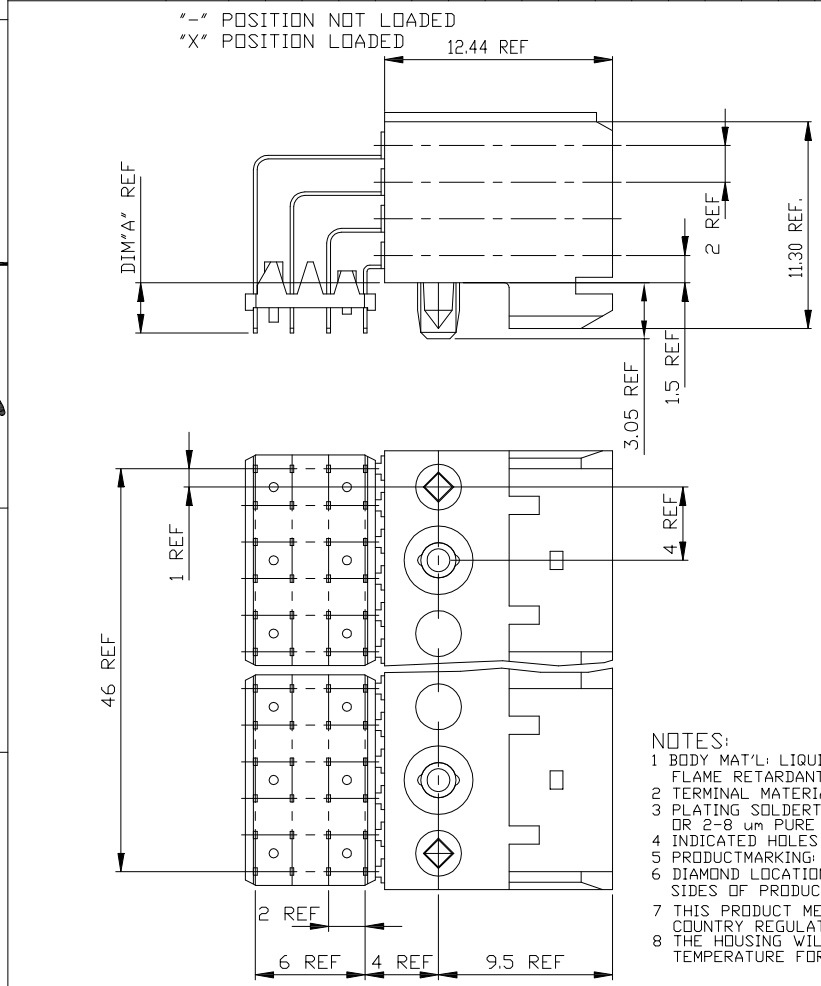
Tous droits strictement réservés. Reproduction ou communication à des tiers sans autorisation écrite du propriétaire. Property of F.C.I. s.v. © F.C.I. s.v.

All rights strictly reserved. Reproduction or issue to third parties in any form without written authority from the proprietor. Property of F.C.I. s.v. © F.C.I. s.v.



PRODUCT NR:	ROW#	CONFIGURATION																								DIM A	PCB THICKNESS																																																																																																																																																																																																																																																																																																																																																																																																																																																																																										
		1	2	3	4	5	6	7	8	9	10	11	12	13	14	15	16	17	18	19	20	21	22	23	24																																																																																																																																																																																																																																																																																																																																																																																																																																																																																												
85869-X01	D	X	X	X	-	-	-	X	X	X	X	X	X	X	X	X	X	X	X	X	X	X	X	X	X	2.90	1.6																																																																																																																																																																																																																																																																																																																																																																																																																																																																																										
	C	X	X	X	-	-	X	X	X	X	X	X	X	X	X	X	X	X	X	X	X	X	X	X	X			85869-X01LF	B	X	X	X	X	X	X	X	X	X	X	X	X	X	X	X	X	X	X	X	X	X	X	X	X	2.90	1.6	A	X	X	X	-	-	X	X	X	X	X	X	X	X	X	X	X	X	X	X	X	X	X	X	X	85869-X02	D	X	X	-	X	X	-	X	X	-	-	X	X	-	X	X	-	X	X	X	X	X	X	X	X	2.90	1.6	C	X	X	-	X	X	-	X	X	-	-	X	X	-	X	X	-	X	X	X	X	X	X	X	X	85869-X02LF	B	-	-	-	-	-	-	-	-	-	-	-	-	-	-	-	-	-	-	-	-	-	-	-	-	2.90	1.6	A	X	X	X	X	X	X	X	X	X	X	X	X	X	X	X	X	X	X	X	X	X	X	X	X	85869-X03	D	-	X	-	-	-	X	-	X	-	-	X	-	X	X	-	X	-	X	-	X	-	X	-	X	2.90	1.6	C	X	-	-	-	X	-	X	-	-	X	-	X	-	X	-	X	-	X	-	X	-	X	-	X	85869-X03LF	B	-	X	-	-	-	X	-	X	-	-	X	-	X	X	-	X	-	X	-	X	-	X	-	X	2.90	1.6	A	X	-	X	-	X	-	X	-	-	X	-	X	-	X	-	X	-	X	-	X	-	X	-	X	85869-X04	D	-	X	-	-	X	-	X	-	-	X	-	X	-	X	-	X	-	X	-	X	-	X	-	X	2.90	1.6	C	X	-	-	-	X	-	X	-	-	X	-	X	-	X	-	X	-	X	-	X	-	X	-	X	85869-X04LF	B	-	X	-	-	-	X	-	X	-	-	X	-	X	X	-	X	-	X	-	X	-	X	-	X	2.90	1.6	A	X	-	X	-	X	-	X	-	-	X	-	X	-	X	-	X	-	X	-	X	-	X	-	X	85869-X05	D	-	X	-	-	X	-	X	-	-	X	-	X	-	X	-	X	-	X	-	X	-	X	-	X	2.90	1.6	C	X	-	-	-	X	-	X	-	-	X	-	X	-	X	-	X	-	X	-	X	-	X	-	X	85869-X05LF	B	X	X	X	X	X	X	X	X	X	X	X	X	X	X	X	X	X	X	X	X	X	X	X	X	2.90	1.6	A	X	X	X	X	X	X	X	X	X	X	X	X	X	X	X	X	X	X	X	X	X
85869-X01LF	B	X	X	X	X	X	X	X	X	X	X	X	X	X	X	X	X	X	X	X	X	X	X	X	X	2.90	1.6																																																																																																																																																																																																																																																																																																																																																																																																																																																																																										
	A	X	X	X	-	-	X	X	X	X	X	X	X	X	X	X	X	X	X	X	X	X	X	X	X			85869-X02	D	X	X	-	X	X	-	X	X	-	-	X	X	-	X	X	-	X	X	X	X	X	X	X	X	2.90	1.6	C	X	X	-	X	X	-	X	X	-	-	X	X	-	X	X	-	X	X	X	X	X	X	X	X	85869-X02LF	B	-	-	-	-	-	-	-	-	-	-	-	-	-	-	-	-	-	-	-	-	-	-	-	-	2.90	1.6	A	X	X	X	X	X	X	X	X	X	X	X	X	X	X	X	X	X	X	X	X	X	X	X	X	85869-X03	D	-	X	-	-	-	X	-	X	-	-	X	-	X	X	-	X	-	X	-	X	-	X	-	X	2.90	1.6	C	X	-	-	-	X	-	X	-	-	X	-	X	-	X	-	X	-	X	-	X	-	X	-	X	85869-X03LF	B	-	X	-	-	-	X	-	X	-	-	X	-	X	X	-	X	-	X	-	X	-	X	-	X	2.90	1.6	A	X	-	X	-	X	-	X	-	-	X	-	X	-	X	-	X	-	X	-	X	-	X	-	X	85869-X04	D	-	X	-	-	X	-	X	-	-	X	-	X	-	X	-	X	-	X	-	X	-	X	-	X	2.90	1.6	C	X	-	-	-	X	-	X	-	-	X	-	X	-	X	-	X	-	X	-	X	-	X	-	X	85869-X04LF	B	-	X	-	-	-	X	-	X	-	-	X	-	X	X	-	X	-	X	-	X	-	X	-	X	2.90	1.6	A	X	-	X	-	X	-	X	-	-	X	-	X	-	X	-	X	-	X	-	X	-	X	-	X	85869-X05	D	-	X	-	-	X	-	X	-	-	X	-	X	-	X	-	X	-	X	-	X	-	X	-	X	2.90	1.6	C	X	-	-	-	X	-	X	-	-	X	-	X	-	X	-	X	-	X	-	X	-	X	-	X	85869-X05LF	B	X	X	X	X	X	X	X	X	X	X	X	X	X	X	X	X	X	X	X	X	X	X	X	X	2.90	1.6	A	X	X	X	X	X	X	X	X	X	X	X	X	X	X	X	X	X	X	X	X	X	X	X	X																																																		
85869-X02	D	X	X	-	X	X	-	X	X	-	-	X	X	-	X	X	-	X	X	X	X	X	X	X	X	2.90	1.6																																																																																																																																																																																																																																																																																																																																																																																																																																																																																										
	C	X	X	-	X	X	-	X	X	-	-	X	X	-	X	X	-	X	X	X	X	X	X	X	X			85869-X02LF	B	-	-	-	-	-	-	-	-	-	-	-	-	-	-	-	-	-	-	-	-	-	-	-	-	2.90	1.6	A	X	X	X	X	X	X	X	X	X	X	X	X	X	X	X	X	X	X	X	X	X	X	X	X	85869-X03	D	-	X	-	-	-	X	-	X	-	-	X	-	X	X	-	X	-	X	-	X	-	X	-	X	2.90	1.6	C	X	-	-	-	X	-	X	-	-	X	-	X	-	X	-	X	-	X	-	X	-	X	-	X	85869-X03LF	B	-	X	-	-	-	X	-	X	-	-	X	-	X	X	-	X	-	X	-	X	-	X	-	X	2.90	1.6	A	X	-	X	-	X	-	X	-	-	X	-	X	-	X	-	X	-	X	-	X	-	X	-	X	85869-X04	D	-	X	-	-	X	-	X	-	-	X	-	X	-	X	-	X	-	X	-	X	-	X	-	X	2.90	1.6	C	X	-	-	-	X	-	X	-	-	X	-	X	-	X	-	X	-	X	-	X	-	X	-	X	85869-X04LF	B	-	X	-	-	-	X	-	X	-	-	X	-	X	X	-	X	-	X	-	X	-	X	-	X	2.90	1.6	A	X	-	X	-	X	-	X	-	-	X	-	X	-	X	-	X	-	X	-	X	-	X	-	X	85869-X05	D	-	X	-	-	X	-	X	-	-	X	-	X	-	X	-	X	-	X	-	X	-	X	-	X	2.90	1.6	C	X	-	-	-	X	-	X	-	-	X	-	X	-	X	-	X	-	X	-	X	-	X	-	X	85869-X05LF	B	X	X	X	X	X	X	X	X	X	X	X	X	X	X	X	X	X	X	X	X	X	X	X	X	2.90	1.6	A	X	X	X	X	X	X	X	X	X	X	X	X	X	X	X	X	X	X	X	X	X	X	X	X																																																																																																							
85869-X02LF	B	-	-	-	-	-	-	-	-	-	-	-	-	-	-	-	-	-	-	-	-	-	-	-	-	2.90	1.6																																																																																																																																																																																																																																																																																																																																																																																																																																																																																										
	A	X	X	X	X	X	X	X	X	X	X	X	X	X	X	X	X	X	X	X	X	X	X	X	X			85869-X03	D	-	X	-	-	-	X	-	X	-	-	X	-	X	X	-	X	-	X	-	X	-	X	-	X	2.90	1.6	C	X	-	-	-	X	-	X	-	-	X	-	X	-	X	-	X	-	X	-	X	-	X	-	X	85869-X03LF	B	-	X	-	-	-	X	-	X	-	-	X	-	X	X	-	X	-	X	-	X	-	X	-	X	2.90	1.6	A	X	-	X	-	X	-	X	-	-	X	-	X	-	X	-	X	-	X	-	X	-	X	-	X	85869-X04	D	-	X	-	-	X	-	X	-	-	X	-	X	-	X	-	X	-	X	-	X	-	X	-	X	2.90	1.6	C	X	-	-	-	X	-	X	-	-	X	-	X	-	X	-	X	-	X	-	X	-	X	-	X	85869-X04LF	B	-	X	-	-	-	X	-	X	-	-	X	-	X	X	-	X	-	X	-	X	-	X	-	X	2.90	1.6	A	X	-	X	-	X	-	X	-	-	X	-	X	-	X	-	X	-	X	-	X	-	X	-	X	85869-X05	D	-	X	-	-	X	-	X	-	-	X	-	X	-	X	-	X	-	X	-	X	-	X	-	X	2.90	1.6	C	X	-	-	-	X	-	X	-	-	X	-	X	-	X	-	X	-	X	-	X	-	X	-	X	85869-X05LF	B	X	X	X	X	X	X	X	X	X	X	X	X	X	X	X	X	X	X	X	X	X	X	X	X	2.90	1.6	A	X	X	X	X	X	X	X	X	X	X	X	X	X	X	X	X	X	X	X	X	X	X	X	X																																																																																																																																																												
85869-X03	D	-	X	-	-	-	X	-	X	-	-	X	-	X	X	-	X	-	X	-	X	-	X	-	X	2.90	1.6																																																																																																																																																																																																																																																																																																																																																																																																																																																																																										
	C	X	-	-	-	X	-	X	-	-	X	-	X	-	X	-	X	-	X	-	X	-	X	-	X			85869-X03LF	B	-	X	-	-	-	X	-	X	-	-	X	-	X	X	-	X	-	X	-	X	-	X	-	X	2.90	1.6	A	X	-	X	-	X	-	X	-	-	X	-	X	-	X	-	X	-	X	-	X	-	X	-	X	85869-X04	D	-	X	-	-	X	-	X	-	-	X	-	X	-	X	-	X	-	X	-	X	-	X	-	X	2.90	1.6	C	X	-	-	-	X	-	X	-	-	X	-	X	-	X	-	X	-	X	-	X	-	X	-	X	85869-X04LF	B	-	X	-	-	-	X	-	X	-	-	X	-	X	X	-	X	-	X	-	X	-	X	-	X	2.90	1.6	A	X	-	X	-	X	-	X	-	-	X	-	X	-	X	-	X	-	X	-	X	-	X	-	X	85869-X05	D	-	X	-	-	X	-	X	-	-	X	-	X	-	X	-	X	-	X	-	X	-	X	-	X	2.90	1.6	C	X	-	-	-	X	-	X	-	-	X	-	X	-	X	-	X	-	X	-	X	-	X	-	X	85869-X05LF	B	X	X	X	X	X	X	X	X	X	X	X	X	X	X	X	X	X	X	X	X	X	X	X	X	2.90	1.6	A	X	X	X	X	X	X	X	X	X	X	X	X	X	X	X	X	X	X	X	X	X	X	X	X																																																																																																																																																																																																																	
85869-X03LF	B	-	X	-	-	-	X	-	X	-	-	X	-	X	X	-	X	-	X	-	X	-	X	-	X	2.90	1.6																																																																																																																																																																																																																																																																																																																																																																																																																																																																																										
	A	X	-	X	-	X	-	X	-	-	X	-	X	-	X	-	X	-	X	-	X	-	X	-	X			85869-X04	D	-	X	-	-	X	-	X	-	-	X	-	X	-	X	-	X	-	X	-	X	-	X	-	X	2.90	1.6	C	X	-	-	-	X	-	X	-	-	X	-	X	-	X	-	X	-	X	-	X	-	X	-	X	85869-X04LF	B	-	X	-	-	-	X	-	X	-	-	X	-	X	X	-	X	-	X	-	X	-	X	-	X	2.90	1.6	A	X	-	X	-	X	-	X	-	-	X	-	X	-	X	-	X	-	X	-	X	-	X	-	X	85869-X05	D	-	X	-	-	X	-	X	-	-	X	-	X	-	X	-	X	-	X	-	X	-	X	-	X	2.90	1.6	C	X	-	-	-	X	-	X	-	-	X	-	X	-	X	-	X	-	X	-	X	-	X	-	X	85869-X05LF	B	X	X	X	X	X	X	X	X	X	X	X	X	X	X	X	X	X	X	X	X	X	X	X	X	2.90	1.6	A	X	X	X	X	X	X	X	X	X	X	X	X	X	X	X	X	X	X	X	X	X	X	X	X																																																																																																																																																																																																																																																																						
85869-X04	D	-	X	-	-	X	-	X	-	-	X	-	X	-	X	-	X	-	X	-	X	-	X	-	X	2.90	1.6																																																																																																																																																																																																																																																																																																																																																																																																																																																																																										
	C	X	-	-	-	X	-	X	-	-	X	-	X	-	X	-	X	-	X	-	X	-	X	-	X			85869-X04LF	B	-	X	-	-	-	X	-	X	-	-	X	-	X	X	-	X	-	X	-	X	-	X	-	X	2.90	1.6	A	X	-	X	-	X	-	X	-	-	X	-	X	-	X	-	X	-	X	-	X	-	X	-	X	85869-X05	D	-	X	-	-	X	-	X	-	-	X	-	X	-	X	-	X	-	X	-	X	-	X	-	X	2.90	1.6	C	X	-	-	-	X	-	X	-	-	X	-	X	-	X	-	X	-	X	-	X	-	X	-	X	85869-X05LF	B	X	X	X	X	X	X	X	X	X	X	X	X	X	X	X	X	X	X	X	X	X	X	X	X	2.90	1.6	A	X	X	X	X	X	X	X	X	X	X	X	X	X	X	X	X	X	X	X	X	X	X	X	X																																																																																																																																																																																																																																																																																																																											
85869-X04LF	B	-	X	-	-	-	X	-	X	-	-	X	-	X	X	-	X	-	X	-	X	-	X	-	X	2.90	1.6																																																																																																																																																																																																																																																																																																																																																																																																																																																																																										
	A	X	-	X	-	X	-	X	-	-	X	-	X	-	X	-	X	-	X	-	X	-	X	-	X			85869-X05	D	-	X	-	-	X	-	X	-	-	X	-	X	-	X	-	X	-	X	-	X	-	X	-	X	2.90	1.6	C	X	-	-	-	X	-	X	-	-	X	-	X	-	X	-	X	-	X	-	X	-	X	-	X	85869-X05LF	B	X	X	X	X	X	X	X	X	X	X	X	X	X	X	X	X	X	X	X	X	X	X	X	X	2.90	1.6	A	X	X	X	X	X	X	X	X	X	X	X	X	X	X	X	X	X	X	X	X	X	X	X	X																																																																																																																																																																																																																																																																																																																																																																																
85869-X05	D	-	X	-	-	X	-	X	-	-	X	-	X	-	X	-	X	-	X	-	X	-	X	-	X	2.90	1.6																																																																																																																																																																																																																																																																																																																																																																																																																																																																																										
	C	X	-	-	-	X	-	X	-	-	X	-	X	-	X	-	X	-	X	-	X	-	X	-	X			85869-X05LF	B	X	X	X	X	X	X	X	X	X	X	X	X	X	X	X	X	X	X	X	X	X	X	X	X	2.90	1.6	A	X	X	X	X	X	X	X	X	X	X	X	X	X	X	X	X	X	X	X	X	X	X	X	X																																																																																																																																																																																																																																																																																																																																																																																																																																					
85869-X05LF	B	X	X	X	X	X	X	X	X	X	X	X	X	X	X	X	X	X	X	X	X	X	X	X	X	2.90	1.6																																																																																																																																																																																																																																																																																																																																																																																																																																																																																										
	A	X	X	X	X	X	X	X	X	X	X	X	X	X	X	X	X	X	X	X	X	X	X	X	X																																																																																																																																																																																																																																																																																																																																																																																																																																																																																												

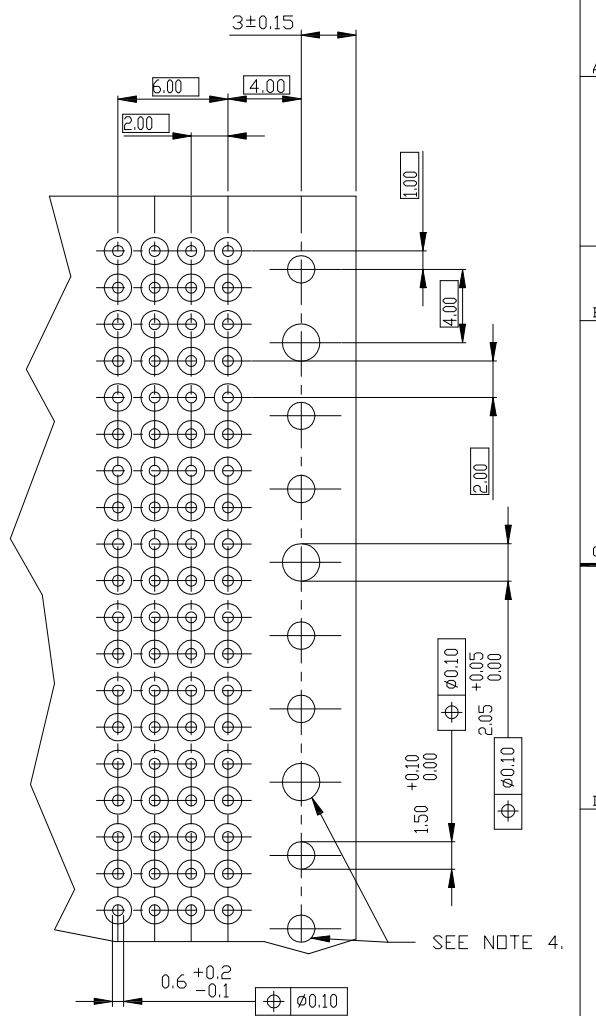
PLATING CONTACT AREA:	
DASH NR:	PERFORMANCE LEVEL
-1YY/1YYLF	TELCORDIA CO
-2YY/2YYLF	CUSTOMER SPECIAL
-3YY/3YYLF	CUSTOMER SPECIAL



PRODUCT AFTER PC BOARD APPLICATION.

PC BOARD THICKNESS ±0.20
SEE TABLE

NOTES:
 1 BODY MAT'L: LIQUID CRYSTAL POLYMER 30% GLASS
 FLAME RETARDANT ACC. UL 94-V0
 2 TERMINAL MATERIAL: PHOSPHOR BRONZE.
 3 PLATING SOLDER TAILS 2-8 um SnPb 90-97.
 OR 2-8 um PURE Sn FOR PART NUMBER WITH LF SUFFIX.
 4 INDICATED HOLES ARE UNPLATED.
 5 PRODUCT MARKING: PART NUMBER & BATCH ID.
 6 DIAMOND LOCATION PEG ARE ONLY EXISTED ON THE BOTH SIDES OF PRODUCT.
 7 THIS PRODUCT MEETS EUROPEAN UNION DIRECTIVES AND OTHER COUNTRY REGULATIONS AS DESCRIBED IN GS-22-008.
 8 THE HOUSING WILL WITHSTAND EXPOSURE TO 260 DEGREE PEAK TEMPERATURE FOR 10 SECONDS IN A WAVE SOLDER APPLICATION.



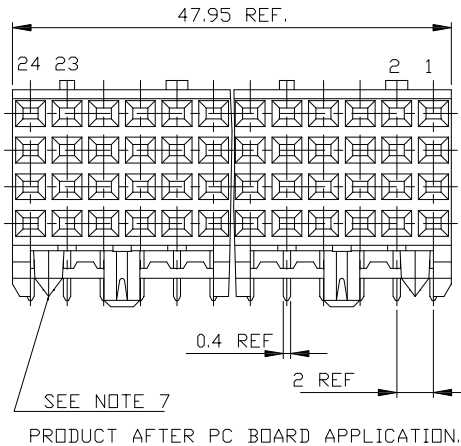
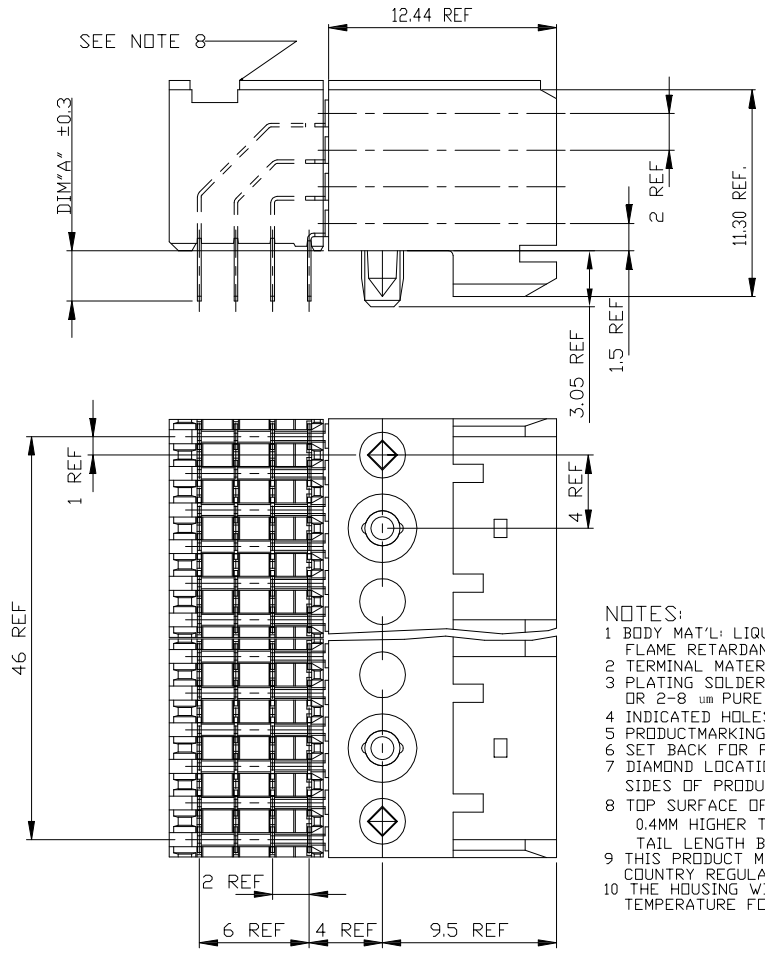
RECOMMENDED HOLE PATTERN, COMPONENT SIDE.

mat'l. code		tolerances unless otherwise specified		CUSTOMER CDPY		FCI	
SEE NOTES						www.fciconnection.com	
l	tr.ecn	n	odr	d	ate		
R	DG09-0068	CenH		06/06/09			
			linear			projection	title
K	D006-0478	CenH		11/23/06	angles	⊕	RA RECEPTACLE SIG48mm PRESS PEG
L	DG07-0230	CenH	05/30/07	dir	R VISSCHERS	951017	product family METRAL(tm)
M	DG07-0232	CenH	05/31/07	engr	P SCHALK	951017	code
N	DG07-0169	CenH	6/08/07	chn	P SCHALK	951017	size
P	DG08-0171	TER	8/26/08	app	P SCHALK	951017	dwg no
sheet	revision	R	R			scale	5:1
index	sheet	1	2	3			A2
							85869
							code
							213
							sheet
							1 of 3

All rights strictly reserved. Reproduction or use in any form without written authority from the proprietor.
 Tous droits strictement réservés. Reproduction ou utilisation o des tiers sans autorisation écrite du propriétaire.
 Property of F.C.I. S.p.A.
 © F.C.I. S.p.A.

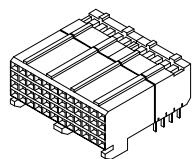
PRODUCT NR:	ROW#	CONFIGURATION																								DIM A	PCB THICKNESS
		1	2	3	4	5	6	7	8	9	10	11	12	13	14	15	16	17	18	19	20	21	22	23	24		
85869-X20	D	X	X	X	-	-	X	X	X	X	-	-	X	X	X	X	X	X	-	-	X	X	X	X	2.90	1.6	
	C	X	X	X	X	-	X	X	X	X	X	X	X	X	X	X	X	X	X	X	X	X	X	X			
	B	X	X	X	X	X	X	X	X	X	X	X	X	X	X	X	X	X	X	X	X	X	X	X			
85869-X21	D	X	X	X	X	-	X	X	X	X	X	X	X	X	X	X	X	X	X	X	X	X	X	2.90	1.6		
	C	X	X	X	X	X	X	X	X	X	X	X	X	X	X	X	X	X	X	X	X	X	X				
	B	X	X	X	X	X	X	X	X	X	X	X	X	X	X	X	X	X	X	X	X	X	X				
85869-X22	D	X	X	X	X	-	X	X	X	X	X	X	X	X	X	X	X	X	X	X	X	X	X	2.90	1.6		
	C	X	X	X	X	X	X	X	X	X	X	X	X	X	X	X	X	X	X	X	X	X	X				
	B	X	X	X	X	X	X	X	X	X	X	X	X	X	X	X	X	X	X	X	X	X	X				
85869-X23	D	X	X	X	X	-	X	X	X	X	X	X	X	X	X	X	X	X	X	X	X	X	X	2.90	1.6		
	C	X	X	X	X	X	X	X	X	X	X	X	X	X	X	X	X	X	X	X	X	X	X				
	B	X	X	X	X	X	X	X	X	X	X	X	X	X	X	X	X	X	X	X	X	X	X				
85869-X24	D	X	X	X	X	-	X	X	X	X	X	X	X	X	X	X	X	X	X	X	X	X	X	2.90	1.6		
	C	X	X	X	X	X	X	X	X	X	X	X	X	X	X	X	X	X	X	X	X	X	X				
	B	X	X	X	X	X	X	X	X	X	X	X	X	X	X	X	X	X	X	X	X	X	X				
85869-X25	D	X	X	X	X	-	X	X	X	X	X	X	X	X	X	X	X	X	X	X	X	X	X	2.90	1.6		
	C	X	X	X	X	X	X	X	X	X	X	X	X	X	X	X	X	X	X	X	X	X	X				
	B	X	X	X	X	X	X	X	X	X	X	X	X	X	X	X	X	X	X	X	X	X	X				

"-" POSITION NOT LOADED
 "X" POSITION LOADED

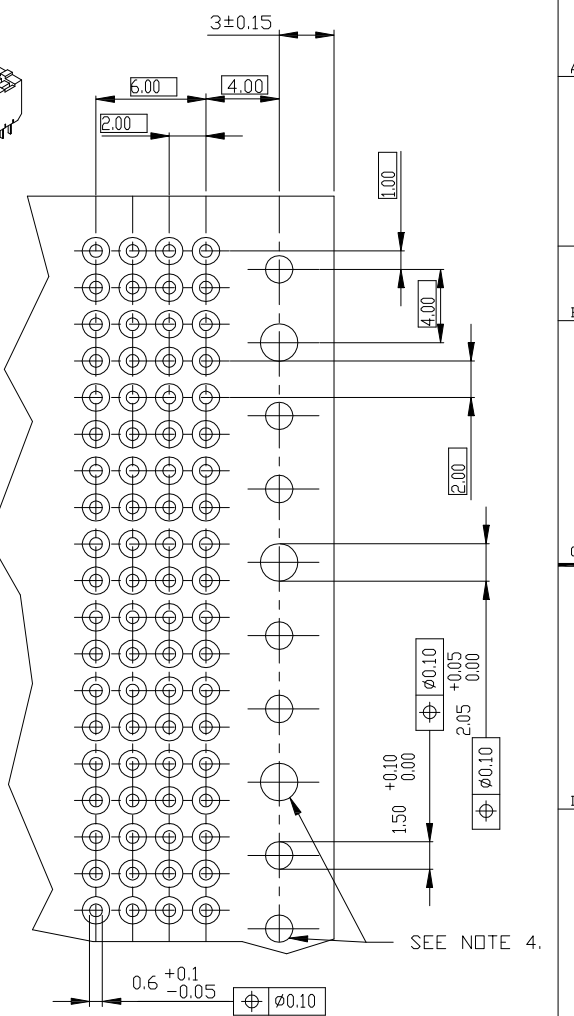


PC BOARD THICKNESS ±0.20
SEE TABLE

- NOTES:
- BODY MAT'L: LIQUID CRYSTAL POLYMER 30% GLASS
FLAME RETARDANT ACC. UL 94-V0
 - TERMINAL MATERIAL: PHOSPHOR BRONZE.
 - PLATING SOLDER TAILS 2-8 μm SnPb 90-97.
OR 2-8 μm PURE Sn FOR PART NUMBER WITH LF SUFFIX.
 - INDICATED HOLES ARE UNPLATED.
 - PRODUCT MARKING: PART NUMBER & BATCH ID.
 - SET BACK FOR PRESS BLOCK
 - DIAMOND LOCATION PEG ARE ONLY EXISTED ON THE BOTH SIDES OF PRODUCT.
 - TOP SURFACE OF PRESS BLOCK MAY EXTEND UP TO 0.4MM HIGHER THAN HOUSING. THIS MAY AFFECT THE TAIL LENGTH BEFORE APPLICATION TO A BOARD
 - THIS PRODUCT MEETS EUROPEAN UNION DIRECTIVES AND OTHER COUNTRY REGULATIONS AS DESCRIBED IN GS-22-008
 - THE HOUSING WILL WITHSTAND EXPOSURE TO 245 DEGREE PEAK TEMPERATURE FOR 10 SECONDS IN A WAVE SOLDER APPLICATION.



PLATING CONTACT AREA:	
DASH NR:	PERFORMANCE LEVEL
-1YY/1YYLF	TELCORDIA CO
-2YY/2YYLF	CUSTOMER SPECIAL
-3YY/3YYLF	CUSTOMER SPECIAL



RECOMMENDED HOLE PATTERN, COMPONENT SIDE.

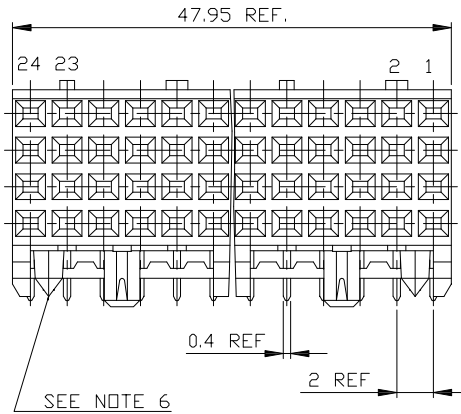
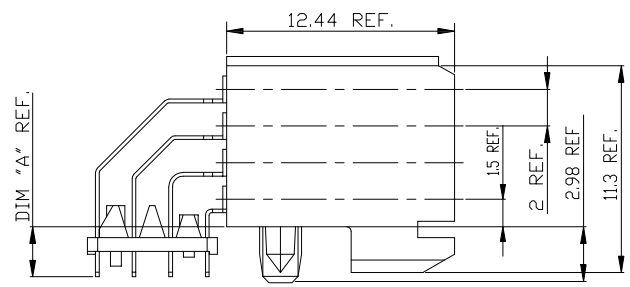
mat'l code	tolerances unless otherwise specified	CUSTOMER CDPY	
SEE NOTES			
ltr/ecn no	linear	projection	title
dr	linear	angles	RA RECEPTACLE SIG48mm PRESS PEG
engr	H. Mengede 990525	mm	product family METRAL(tm)
chr	M. Lonan 990525	scale	code 213
app	M. Lonan 990525	5:1	sheet 2 of -
sheet index	revision sheet		

All rights strictly reserved. Reproduction or use in any form without written authority from the proprietor.
 Property of F.C.I. Inc.
 © F.C.I. Inc.

PRODUCT NR:	ROW#	CONFIGURATION																								DIM A	PCB THICKNESS
		1	2	3	4	5	6	7	8	9	10	11	12	13	14	15	16	17	18	19	20	21	22	23	24		
85869-X30	D	X	X	X	-	-	-	X	X	X	X	X	X	X	X	X	X	X	X	X	X	X	X	X	X	2.90	1.6
	C	X	X	X	-	-	X	X	X	X	X	X	X	X	X	X	X	X	X	X	X	X	X	X	X		
85869-X31	B	X	X	X	X	X	X	X	X	X	X	X	X	X	X	X	X	X	X	X	X	X	X	X	X	2.90	1.6
	A	X	X	X	-	-	-	X	X	X	X	X	X	X	X	X	X	X	X	X	X	X	X	X	X		
85869-X32	D	-	X	-	-	-	X	-	X	-	-	X	-	X	X	X	X	X	X	X	X	X	X	X	X	2.90	1.6
	C	X	-	-	-	X	-	-	X	-	-	X	-	X	X	X	X	X	X	X	X	X	X	X	X		
85869-X33	B	-	X	-	-	-	X	-	X	-	-	X	-	X	X	X	X	X	X	X	X	X	X	X	X	2.90	1.6
	A	X	-	X	-	X	-	-	X	-	-	X	-	X	X	X	X	X	X	X	X	X	X	X	X		
85869-X34	D	-	X	-	-	-	X	-	X	-	-	X	-	X	X	X	X	X	X	X	X	X	X	X	X	2.90	1.6
	C	X	-	-	-	X	-	-	X	-	-	X	-	X	X	X	X	X	X	X	X	X	X	X	X		

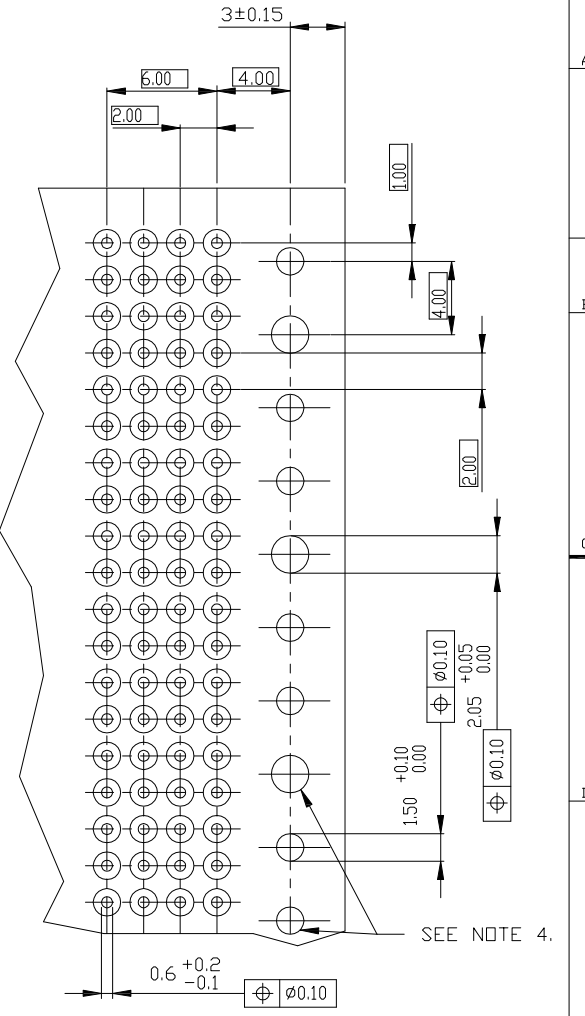
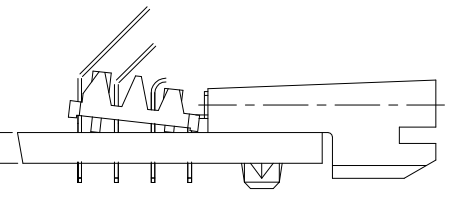
PLATING CONTACT AREA:	
DASH NR:	PERFORMANCE LEVEL
-1YY/1YYLF	TELCORDIA CO
-2YY/2YYLF	CUSTOMER SPECIAL
-3YY/3YYLF	CUSTOMER SPECIAL

"-" POSITION NOT LOADED
 "X" POSITION LOADED

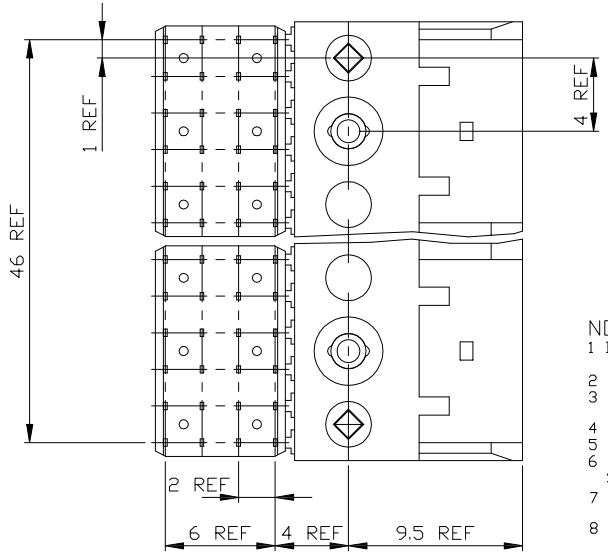


PRODUCT AFTER PC BOARD APPLICATION.

PC BOARD THICKNESS ±0.20
SEE TABLE



RECOMMENDED HOLE PATTERN, COMPONENT SIDE.



- NOTES:
- BODY MAT'L: LIQUID CRYSTAL POLYMER 30% GLASS
FLAME RETARDANT ACC. UL 94-V0
 - TERMINAL MATERIAL: PHOSPHOR BRONZE.
 - PLATING SOLDER TAILS 2-8 um SnPb 90-97.
OR 2-8 um PURE Sn FOR PART NUMBER WITH LF SUFFIX.
 - INDICATED HOLES ARE UNPLATED.
 - PRODUCT MARKING: PART NUMBER & BATCH ID.
 - DIAMOND LOCATION PEG ARE ONLY EXISTED ON THE BOTH SIDES OF PRODUCT.
 - THIS PRODUCT MEETS EUROPEAN UNION DIRECTIVES AND OTHER COUNTRY REGULATIONS AS DESCRIBED IN GS-22-008.
 - THE HOUSING WILL WITHSTAND EXPOSURE TO 260 DEGREE PEAK TEMPERATURE FOR 10 SECONDS IN A WAVE SOLDER APPLICATION.

mat'l. code	tolerances unless otherwise specified	CUSTOMER CDPY	
SEE NOTES			
ltr/ecn no/dt	linear	projection	title
			RA RECEPTACLE
	angles		SIG48mm PRESS PEG
dr	Heaven Cen	11/23/06	product family
engr	Collins Lu	11/23/06	size/dwg no
chr	Beer Fu	11/23/06	scale
appd	Joseph Hsia	11/23/06	5:1
sheet	revision		
index	sheet		