



512K x 8 SRAM

HIGH SPEED SRAM with
REVOLUTIONARY PINOUT

**AVAILABLE AS MILITARY
SPECIFICATIONS**

- SMD 5962-95600
- SMD 5962-95613
- MIL-STD-883

FEATURES

- Ultra High Speed Asynchronous Operation
- Fully Static, No Clocks
- Multiple center power and ground pins for improved noise immunity
- Easy memory expansion with CE\ and OE\ options
- All inputs and outputs are TTL-compatible
- Single +5V Power Supply +/- 10%
- Data Retention Functionality Testing (Contact Factory)
- Cost Efficient Plastic Packaging
- Extended Testing Over -55°C to +125°C for plastics
- Plastic 36 pin PSOJ is fully compatible with the Ceramic 36 pin SOJ
- 3.3V Future Offering

OPTIONS

- Timing

| | |
|-------------|-----|
| 15ns access | -15 |
| 17ns access | -17 |
| 20ns access | -20 |
| 25ns access | -25 |
| 35ns access | -35 |
| 45ns access | -45 |
- Operating Temperature Ranges

| | |
|-----------------------------|----|
| Military (-55°C to +125°C) | XT |
| Industrial (-40°C to +85°C) | IT |
- Package(s)

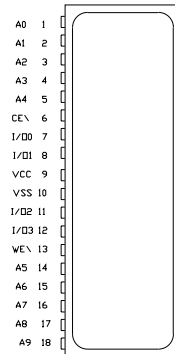
| | | |
|------------------|-----|---------|
| Ceramic LCC | EC | No. 210 |
| Ceramic Flatpack | F | No. 307 |
| Plastic SOJ | DJ | No. 903 |
| Ceramic SOJ | ECJ | No.503 |
- 2V data retention/low power L (Consult Factory)
- Radiation Tolerant (EPI) E

MARKING

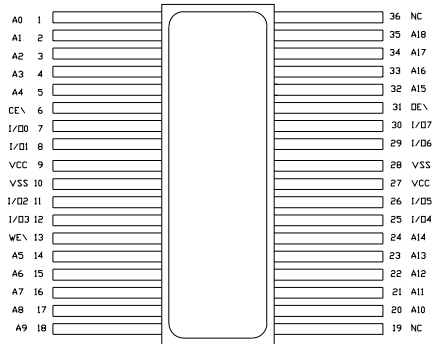
For more products and information
please visit our web site at
www.austinsemiconductor.com

**PIN ASSIGNMENT
(Top View)**

36-Pin SOJ (DJ & ECJ)
36-Pin CLCC (EC)



36-Pin Flat Pack (F)



GENERAL DESCRIPTION

The AS5C512K8 is a high speed SRAM. It offers flexibility in high-speed memory applications, with chip enable (CE\) and output enable (OE\) capabilities. These features can place the outputs in High-Z for additional flexibility in system design.

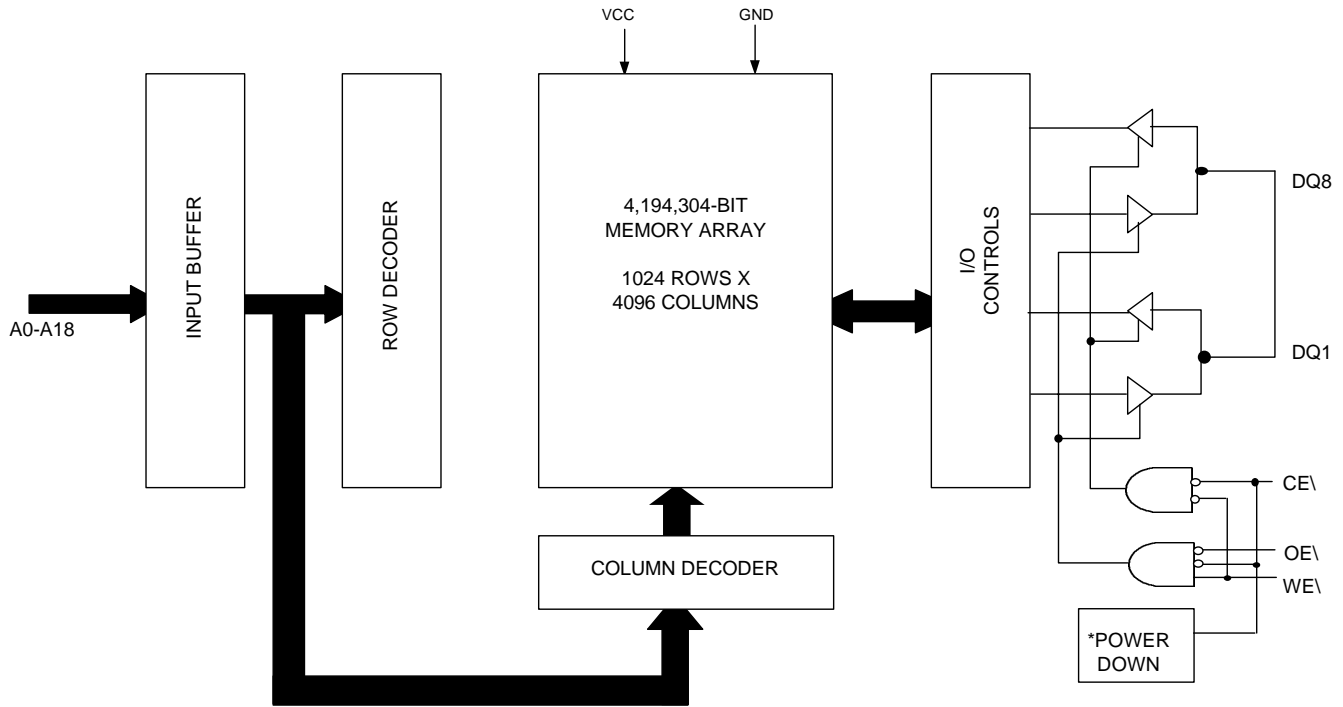
Writing to these devices is accomplished when write enable (WE\) and CE\ inputs are both LOW. Reading is accomplished when WE\ remains HIGH and CE\ and OE\ go LOW.

As an option, the device can be supplied offering a reduced power standby mode, allowing system designers to meet low standby power requirements. This device operates from a single +5V power supply and all inputs and outputs are fully TTL-compatible.

The AS5C512K8DJ offers the convenience and reliability of the AS5C512K8 SRAM and has the cost advantage of a durable plastic. The AS5C512K8DJ is footprint compatible with 36 pin CSOJ package of the SMD 5692-95600.



FUNCTIONAL BLOCK DIAGRAM



**On the low voltage Data Retention option.*

TRUTH TABLE

| MODE | OE\ | CE\ | WE\ | I/O | POWER |
|--------------|-----|-----|-----|--------|---------|
| STANDBY | X | H | X | HIGH-Z | STANDBY |
| READ | L | L | H | Q | ACTIVE |
| NOT SELECTED | H | L | H | HIGH-Z | ACTIVE |
| WRITE | X | L | L | D | ACTIVE |

X = Don't Care

PIN FUNCTIONS

| | |
|-------------------------------------|---------------------|
| A0 - A18 | Address Inputs |
| WE\ | Write Enable |
| CE\ | Chip Enable |
| OE\ | Output Enable |
| I/O ₀ - I/O ₇ | Data Inputs/Outputs |
| V _{cc} | Power |
| V _{ss} | Ground |
| NC | No Connection |



ABSOLUTE MAXIMUM RATINGS*

Voltage on Vcc Supply Relative to Vss
 Vcc-5V to +7.0V
 Storage Temperature (Plastic).....-65°C to +150°C
 Storage Temperature (Ceramic).....-55°C to +125°C
 Short Circuit Output Current (per I/O).....20mA
 Voltage on any Pin Relative to Vss.....-5V to Vcc+1V
 Maximum Junction Temperature**.....+150°C
 Power Dissipation1W

*Stresses greater than those listed under "Absolute Maximum Ratings" may cause permanent damage to the device. This is a stress rating only and functional operation of the device at these or any other conditions above those indicated in the operation section of this specification is not implied. Exposure to absolute maximum rating conditions for extended periods may affect reliability.

** Junction temperature depends upon package type, cycle time, loading, ambient temperature and airflow, and humidity.

ELECTRICAL CHARACTERISTICS AND RECOMMENDED DC OPERATING CONDITIONS

(-55°C ≤ T_A ≤ +125°C & -40°C ≤ T_A ≤ +85°C ; V_{CC} = 5V ±10%)

| DESCRIPTION | CONDITIONS | SYM | MAX | | | | | | UNITS | NOTES |
|--|--|--|-----|-----|-----|-----|-----|-----|-------|-------|
| | | | -15 | -17 | -20 | -25 | -35 | -45 | | |
| Power Supply Current: Operating | WE\=CE\<V _{IL} ; V _{CC} = MAX f = MAX = 1/t _{RC} Outputs Open | I _{CCSP} | 225 | 225 | 225 | 225 | 225 | 225 | mA | 3 |
| | | "L" Version Only I _{CCLP} | 180 | 180 | 180 | 180 | 180 | 180 | mA | |
| Power Supply Current: Standby | CE\ ≥ V _{IH} , All other inputs ≤ V _{IL} , V _{CC} = MAX, f = 0, Outputs Open | I _{SBTSP} | 60 | 60 | 60 | 60 | 60 | 60 | mA | |
| | | "L" Version Only I _{SBTLP} | 30 | 30 | 30 | 30 | 30 | 30 | mA | |
| | CE\ ≥ V _{CC} -0.2V; V _{CC} = MAX V _{IN} ≤ V _{SS} +0.2V or V _{IN} ≥ V _{CC} -0.2V; f = 0 | I _{SBCSP} | 25 | 25 | 25 | 25 | 25 | 25 | mA | |
| "L" Version Only I _{SBCLP} | | 10 | 10 | 10 | 10 | 10 | 10 | mA | | |

| DESCRIPTION | CONDITIONS | SYM | MIN | MAX | UNITS | NOTES |
|------------------------------|---|-----------------|------|----------------------|-------|-------|
| Input High (Logic 1) Voltage | | V _{IH} | 2.2 | V _{CC} +0.5 | V | 1 |
| Input Low (Logic 0) Voltage | | V _{IL} | -0.5 | 0.8 | V | 1, 2 |
| Input Leakage Current | 0V ≤ V _{IN} ≤ V _{CC} | I _{LI} | -10 | 10 | μA | |
| Output Leakage Current | Output(s) Disabled 0V ≤ V _{OUT} ≤ V _{CC} | I _{LO} | -10 | 10 | μA | |
| Output High Voltage | I _{OH} = -4.0 mA | V _{OH} | 2.4 | --- | V | 1 |
| Output Low Voltage | I _{OL} = 8 mA | V _{OL} | --- | 0.4 | V | 1 |
| Supply Voltage | | V _{CC} | 4.5 | 5.5 | V | 1 |

CAPACITANCE

| PARAMETER | CONDITIONS | SYMBOL | MAX | UNITS | NOTES |
|--------------------|--|----------------|-----|-------|-------|
| Input Capacitance | T _A = 25°C, f = 1MHz V _{IN} = 0 | C _I | 12 | pF | 4 |
| Output Capacitance | | C _O | 14 | pF | 4 |



ELECTRICAL CHARACTERISTICS AND RECOMMENDED AC OPERATING CONDITIONS

($-55^{\circ}\text{C} \leq T_A \leq +125^{\circ}\text{C}$ or -40°C to $+85^{\circ}\text{C}$; $V_{CC} = 5\text{V} \pm 10\%$)

| DESCRIPTION | SYM | -15 | | -17 | | -20 | | -25 | | -35 | | -45 | | UNITS | NOTES |
|------------------------------------|------------|-----|-----|-----|-----|-----|-----|-----|-----|-----|-----|-----|-----|-------|---------|
| | | MIN | MAX | MIN | MAX | MIN | MAX | MIN | MAX | MIN | MAX | MIN | MAX | | |
| READ CYCLE | | | | | | | | | | | | | | | |
| Read Cycle Time | t_{RC} | 15 | | 17 | | 20 | | 25 | | 35 | | 45 | | ns | |
| Address Access Time | t_{AA} | | 15 | | 17 | | 20 | | 25 | | 35 | | 45 | ns | |
| Chip Enable Access Time | t_{ACE} | | 15 | | 17 | | 20 | | 25 | | 35 | | 45 | ns | |
| Output Hold From Address Change | t_{OH} | 2 | | 2 | | 2 | | 2 | | 2 | | 2 | | ns | |
| Chip Enable to Output in Low-Z | t_{LZCE} | 2 | | 2 | | 2 | | 2 | | 2 | | 2 | | ns | 4, 6, 7 |
| Chip Disable to Output in High-Z | t_{HZCE} | 0 | 7 | 0 | 8 | 0 | 8 | 0 | 10 | 0 | 15 | 0 | 20 | ns | 4, 6, 7 |
| Output Enable Access Time | t_{AOE} | | 8 | | 8 | | 10 | | 12 | | 15 | | 25 | ns | |
| Output Enable to Output in Low-Z | t_{LZOE} | 0 | | 0 | | 0 | | 0 | | 0 | | 0 | | ns | 4, 6, 7 |
| Output Disable to Output in High-Z | t_{HZOE} | 0 | 7 | 0 | 8 | 0 | 8 | 0 | 10 | 0 | 15 | 0 | 20 | ns | 4, 6, 7 |
| WRITE CYCLE | | | | | | | | | | | | | | | |
| WRITE Cycle Time | t_{WC} | 15 | | 17 | | 20 | | 25 | | 35 | | 45 | | ns | |
| Chip Enable to End of Write | t_{CW} | 15 | | 16 | | 17 | | 20 | | 30 | | 35 | | ns | |
| Address Valid to End of Write | t_{AW} | 15 | | 16 | | 17 | | 20 | | 30 | | 35 | | ns | |
| Address Setup Time | t_{AS} | 0 | | 0 | | 0 | | 0 | | 0 | | 0 | | ns | |
| Address Hold From End of Write | t_{AH} | 0 | | 1 | | 1 | | 1 | | 1 | | 1 | | ns | |
| WRITE Pulse Width | t_{WP} | 15 | | 16 | | 17 | | 20 | | 30 | | 35 | | ns | |
| Data Setup Time | t_{DS} | 7 | | 9 | | 10 | | 12 | | 20 | | 25 | | ns | |
| Data Hold Time | t_{DH} | 0 | | 0 | | 0 | | 0 | | 0 | | 0 | | ns | |
| Write Disable to Output in Low-Z | t_{LZWE} | 0 | | 0 | | 0 | | 0 | | 0 | | 0 | | ns | 4, 6, 7 |
| Write Enable to Output in High-Z | t_{HZWE} | 0 | 7 | 0 | 8 | 0 | 8 | 0 | 10 | 0 | 25 | 0 | 30 | ns | 4, 6, 7 |



AC TEST CONDITIONS

| | |
|-------------------------------------|-------------------------|
| Input pulse levels | V _{SS} to 3.0V |
| Input rise and fall times | 3ns |
| Input timing reference levels | 1.5V |
| Output reference levels | 1.5V |
| Output load | See Figures 1 and 2 |

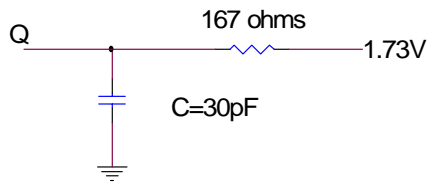


Fig. 1 Output Load Equivalent

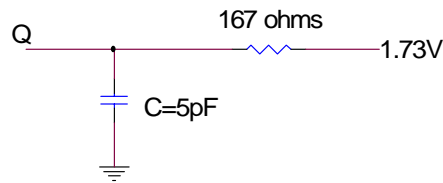


Fig. 2 Output Load Equivalent

NOTES

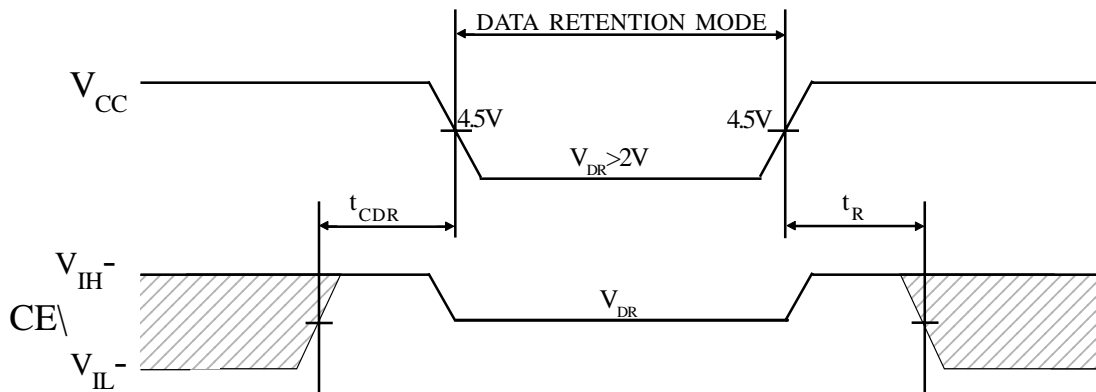
- All voltages referenced to V_{SS} (GND).
- 2V for pulse width < 20ns
- I_{CC} is dependent on output loading and cycle rates.
- This parameter is guaranteed but not tested.
- Test conditions as specified with the output loading as shown in Fig. 1 unless otherwise noted.
- 'LZCE, 'LZWE, 'LZOE, 'HZCE, 'HZOE and 'HZWE are specified with CL = 5pF as in Fig. 2. Transition is measured ±200mV from steady state voltage.
- At any given temperature and voltage condition, 'HZCE is less than 'LZCE, and 'HZWE is less than 'LZWE.
- WE\ is HIGH for READ cycle.
- Device is continuously selected. Chip enables and output enables are held in their active state.
- Address valid prior to, or coincident with, latest occurring chip enable.
- 'RC = Read Cycle Time.
- Chip enable and write enable can initiate and terminate a WRITE cycle.
- Output enable (OE\) is inactive (HIGH).
- Output enable (OE\) is active (LOW).
- ASI does not warrant functionality nor reliability of any product in which the junction temperature exceeds 150°C. Care should be taken to limit power to acceptable levels.

DATA RETENTION ELECTRICAL CHARACTERISTICS (L Version Only)

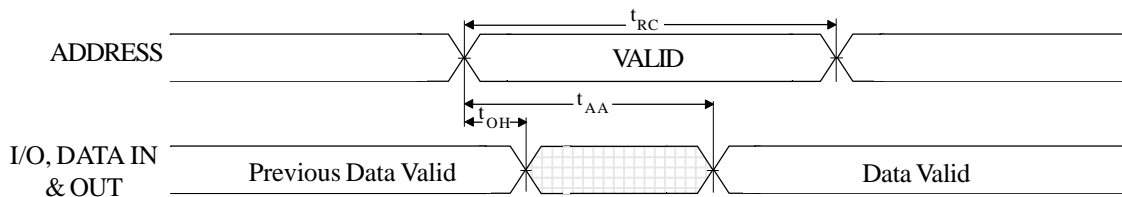
| DESCRIPTION | CONDITIONS | SYM | MIN | MAX | UNITS | NOTES |
|------------------------------------|---|-------------------|-----|-----|-------|-------|
| V _{CC} for Retention Data | CE\ > V _{CC} -0.2V V _{IN} > V _{CC} -0.2 or 0.2V | V _{DR} | 2 | | V | |
| Data Retention Current | V _{CC} = 2.0V | I _{CCDR} | | 4.5 | mA | |
| Chip Deselect to Data | | t _{CDR} | 0 | | ns | 4 |
| Operation Recovery Time | | t _R | 10 | | ms | 4, 11 |



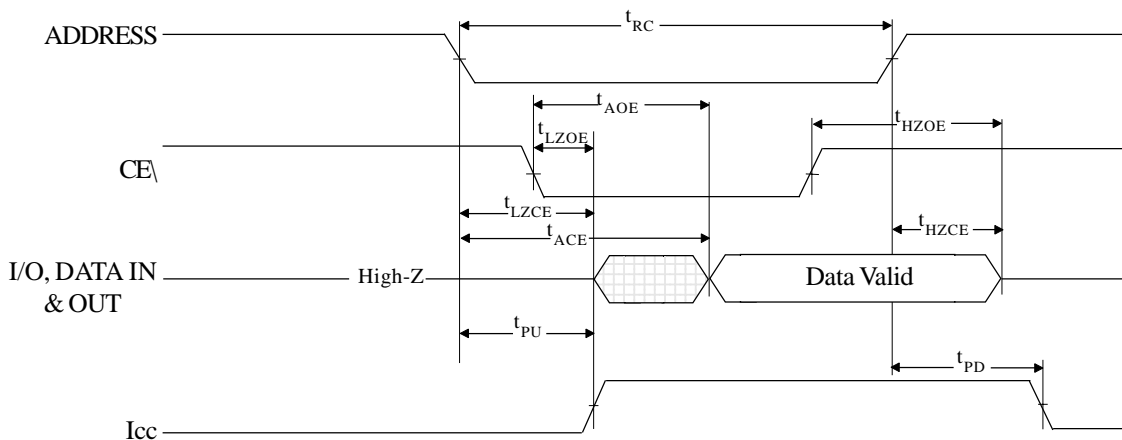
LOW V_{CC} DATA RETENTION WAVEFORM



READ CYCLE NO. 1^{8,9}
(Address Controlled, $CE \setminus = OE \setminus = V_{IL}$, $WE \setminus = V_{IH}$)

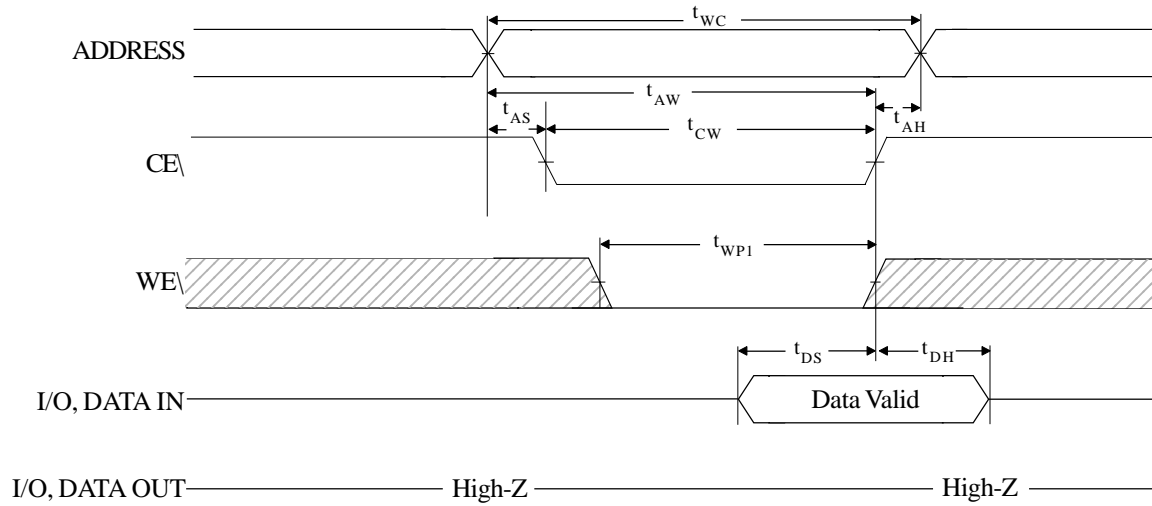


READ CYCLE NO. 2²
($WE \setminus = V_{IH}$)

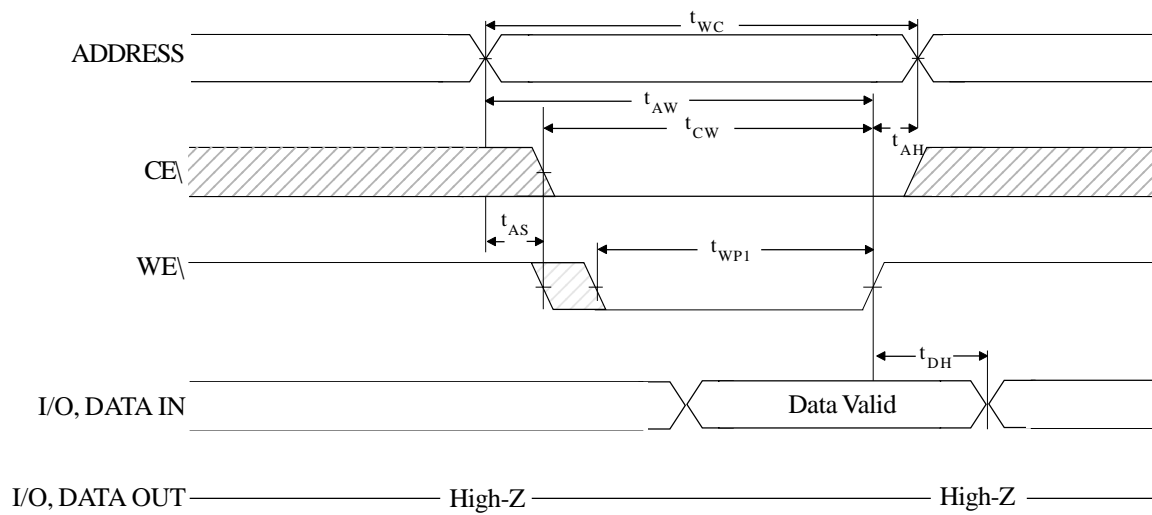




WRITE CYCLE NO. 1¹²
(CE Controlled)

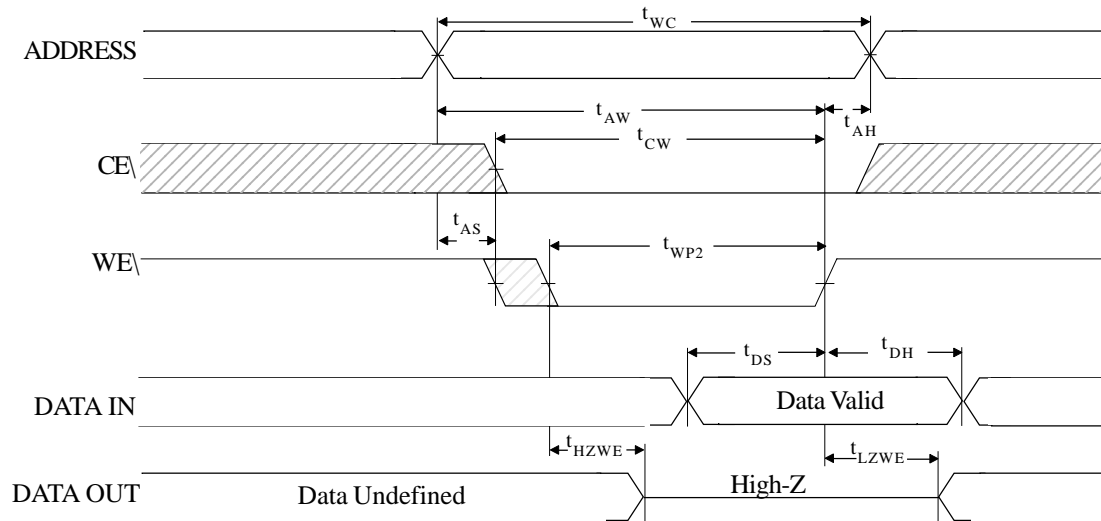


WRITE CYCLE NO. 2^{12, 13}
(Write Enabled Controlled)





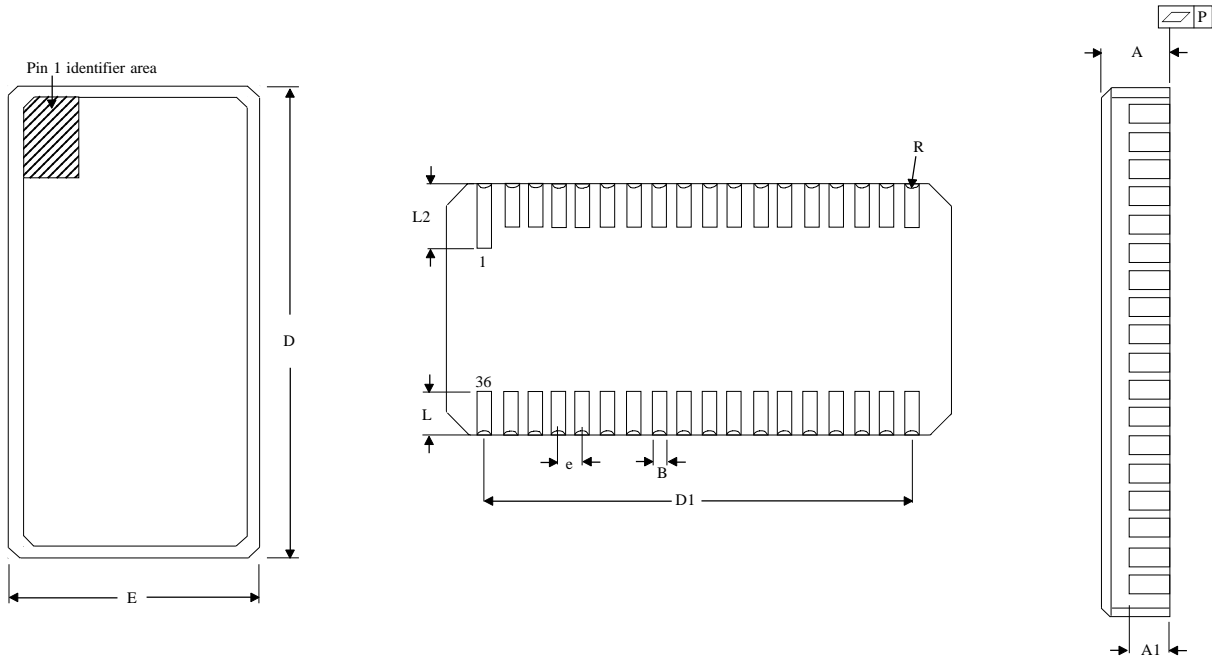
WRITE CYCLE NO. 3^{7,12,14}
(WE Controlled)





MECHANICAL DEFINITIONS*

ASI Case #210 (Package Designator EC)
SMD 5962-95600, Case Outline N



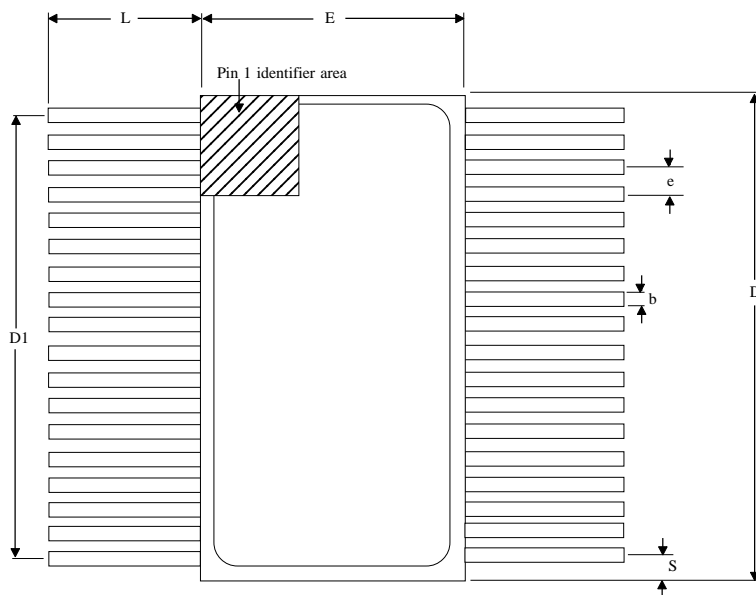
| SYMBOL | SMD SPECIFICATIONS | |
|--------|--------------------|-------|
| | MIN | MAX |
| A | 0.080 | 0.100 |
| A1 | 0.054 | 0.066 |
| B | 0.022 | 0.028 |
| D | 0.910 | 0.930 |
| D1 | 0.840 | 0.860 |
| E | 0.445 | 0.460 |
| e | 0.050 BSC | |
| L | 0.100 TYP | |
| L2 | 0.115 | 0.135 |
| P | --- | 0.006 |
| R | 0.009 TYP | |

*All measurements are in inches.

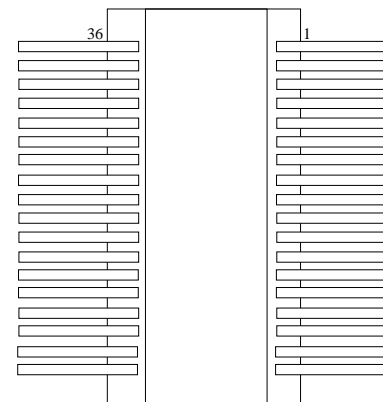


MECHANICAL DEFINITIONS*

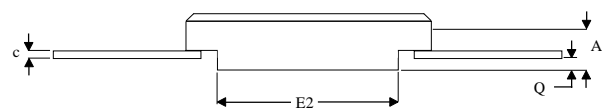
ASI Case #307 (Package Designator F)
SMD 5962-95600, Case Outline T



Top View



Bottom View



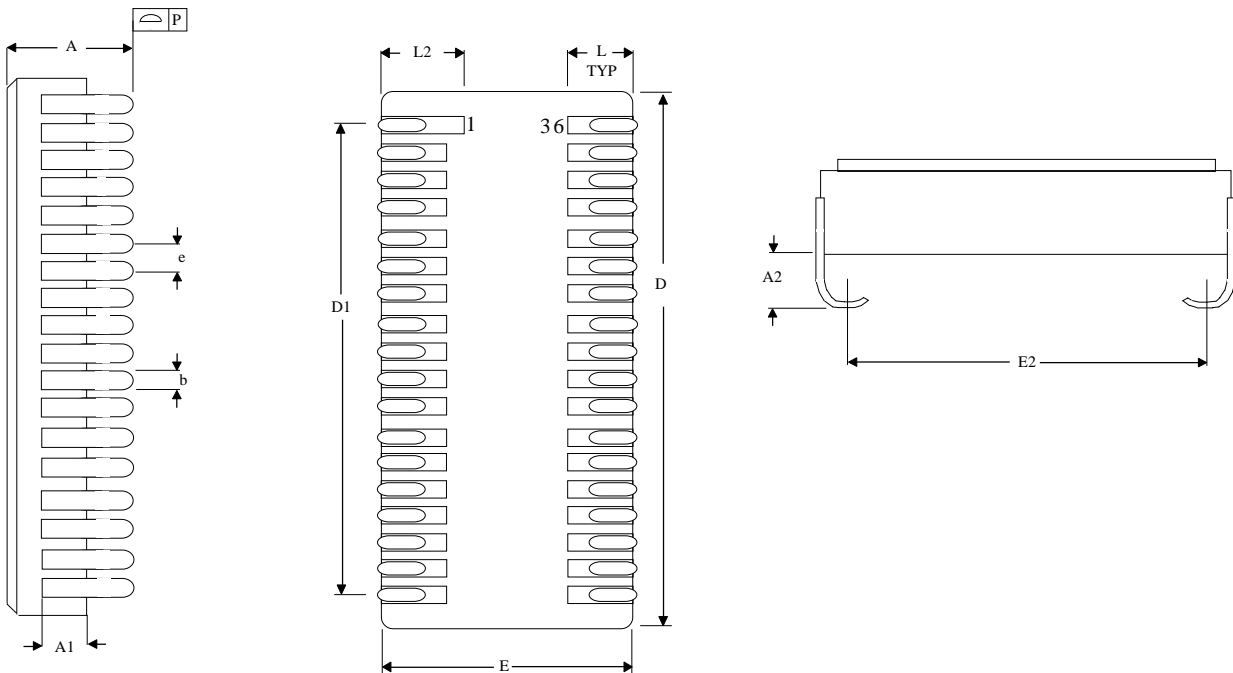
| SYMBOL | SMD SPECIFICATIONS | |
|--------|--------------------|-------|
| | MIN | MAX |
| A | 0.096 | 0.125 |
| b | 0.015 | 0.022 |
| c | 0.003 | 0.009 |
| D | 0.910 | 0.930 |
| D1 | 0.840 | 0.860 |
| E | 0.505 | 0.515 |
| E2 | 0.385 | 0.397 |
| e | 0.050 BSC | |
| L | 0.250 | 0.370 |
| Q | 0.020 | 0.045 |

*All measurements are in inches.



MECHANICAL DEFINITIONS*

ASI Case #503 (Package Designator ECJ)
SMD 5962-95600, Case Outline M



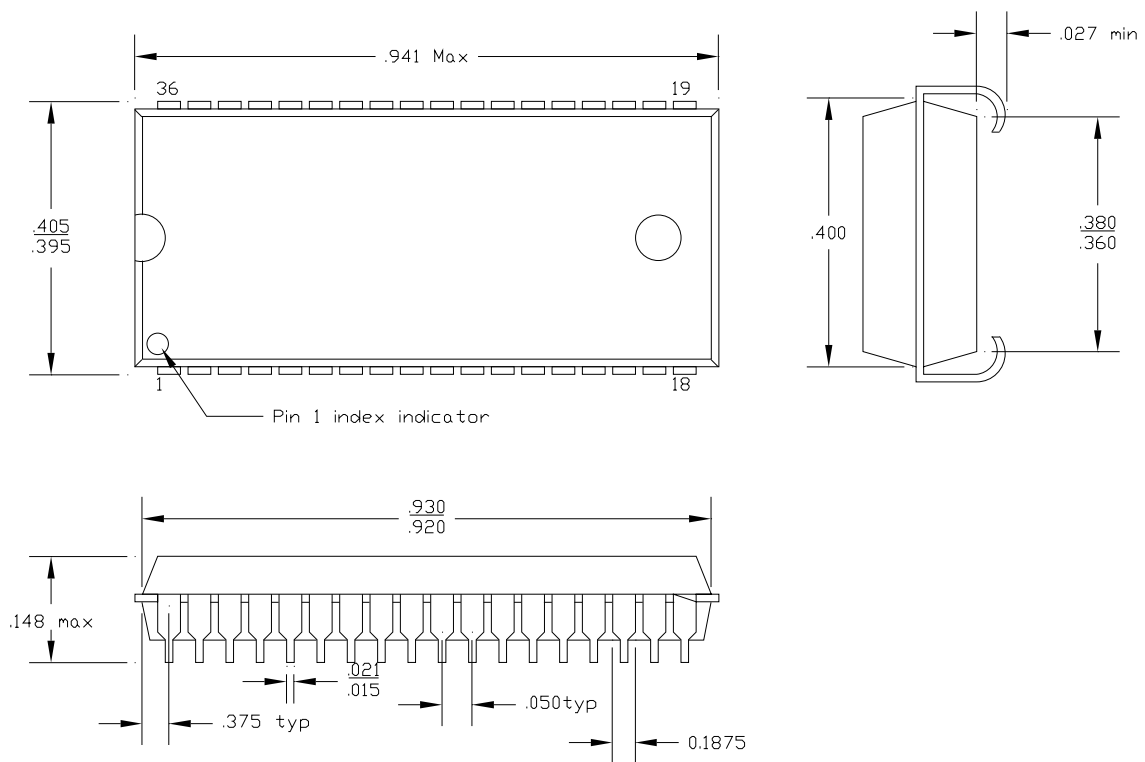
| SYMBOL | SMD SPECIFICATIONS | |
|--------|--------------------|-------|
| | MIN | MAX |
| A | 0.140 | 0.160 |
| A1 | 0.054 | 0.075 |
| A2 | 0.025 | 0.063 |
| b | 0.019 | 0.028 |
| D | 0.910 | 0.939 |
| D1 | 0.840 | 0.860 |
| E | 0.434 | 0.460 |
| E2 | 0.374 | 0.410 |
| e | 0.050 BSC | |
| L | 0.050 | 0.070 |
| L2 | 0.115 | 0.135 |
| P | --- | 0.004 |

*All measurements are in inches.



MECHANICAL DEFINITIONS*

ASI Case #903 (Package Designator DJ)



*All measurements are in inches.



ORDERING INFORMATION

EXAMPLE: AS5C512K8F-25E/XT

| Device Number | Package Type | Speed ns | Options** | Process |
|---------------|--------------|----------|-----------|---------|
| AS5C512K8 | F | -15 | L | /* |
| AS5C512K8 | F | -15 | E | /* |
| AS5C512K8 | F | -17 | L | /* |
| AS5C512K8 | F | -17 | E | /* |
| AS5C512K8 | F | -20 | L | /* |
| AS5C512K8 | F | -20 | E | /* |
| AS5C512K8 | F | -25 | L | /* |
| AS5C512K8 | F | -25 | E | /* |
| AS5C512K8 | F | -30 | L | /* |
| AS5C512K8 | F | -30 | E | /* |
| AS5C512K8 | F | -45 | L | /* |
| AS5C512K8 | F | -45 | E | /* |

EXAMPLE: AS5C512K8ECJ-15/IT

| Device Number | Package Type | Speed ns | Options** | Process |
|---------------|--------------|----------|-----------|---------|
| AS5C512K8 | ECJ | -15 | L | /* |
| AS5C512K8 | ECJ | -15 | E | /* |
| AS5C512K8 | ECJ | -17 | L | /* |
| AS5C512K8 | ECJ | -17 | E | /* |
| AS5C512K8 | ECJ | -20 | L | /* |
| AS5C512K8 | ECJ | -20 | E | /* |
| AS5C512K8 | ECJ | -25 | L | /* |
| AS5C512K8 | ECJ | -25 | E | /* |
| AS5C512K8 | ECJ | -30 | L | /* |
| AS5C512K8 | ECJ | -30 | E | /* |
| AS5C512K8 | ECJ | -45 | L | /* |
| AS5C512K8 | ECJ | -45 | E | /* |

EXAMPLE: AS5C512K8EC-35LE/XT

| Device Number | Package Type | Speed ns | Options** | Process |
|---------------|--------------|----------|-----------|---------|
| AS5C512K8 | EC | -15 | L | /* |
| AS5C512K8 | EC | -15 | E | /* |
| AS5C512K8 | EC | -17 | L | /* |
| AS5C512K8 | EC | -17 | E | /* |
| AS5C512K8 | EC | -20 | L | /* |
| AS5C512K8 | EC | -20 | E | /* |
| AS5C512K8 | EC | -25 | L | /* |
| AS5C512K8 | EC | -25 | E | /* |
| AS5C512K8 | EC | -30 | L | /* |
| AS5C512K8 | EC | -30 | E | /* |
| AS5C512K8 | EC | -45 | L | /* |
| AS5C512K8 | EC | -45 | E | /* |

EXAMPLE: AS5C512K8DJ-20L/XT

| Device Number | Package Type | Speed ns | Options** | Process |
|---------------|--------------|----------|-----------|---------|
| AS5C512K8 | DJ | -15 | L | /* |
| AS5C512K8 | DJ | -15 | E | /* |
| AS5C512K8 | DJ | -17 | L | /* |
| AS5C512K8 | DJ | -17 | E | /* |
| AS5C512K8 | DJ | -20 | L | /* |
| AS5C512K8 | DJ | -20 | E | /* |
| AS5C512K8 | DJ | -25 | L | /* |
| AS5C512K8 | DJ | -25 | E | /* |
| AS5C512K8 | DJ | -30 | L | /* |
| AS5C512K8 | DJ | -30 | E | /* |
| AS5C512K8 | DJ | -45 | L | /* |
| AS5C512K8 | DJ | -45 | E | /* |

*AVAILABLE PROCESSES

IT = Industrial Temperature Range

XT = Extended Temperature Range

883C = Full Military Processing

-40°C to +85°C

-55°C to +125°C

-55°C to +125°C

**OPTIONS DEFINITIONS

L = 2V Data Retention / Low Power (Consult Factory)

E = Radiation Tolerant (EPI)



**ASI TO DSCC PART NUMBER
CROSS REFERENCE
FOR SMD 5962-95600***

ASI Package Designator EC

| ASI Part # | SMD Part # |
|----------------------|-------------------|
| AS5C512K8EC-45/883C | 5962-9560009MNA |
| AS5C512K8EC-45L/883C | 5962-9560005MNA |
| AS5C512K8EC-35/883C | 5962-9560010MNA |
| AS5C512K8EC-35L/883C | 5962-9560006MNA |
| AS5C512K8EC-25/883C | 5962-9560011MNA |
| AS5C512K8EC-25L/883C | 5962-9560007MNA |
| AS5C512K8EC-20/883C | 5962-9560012MNA |
| AS5C512K8EC-20L/883C | 5962-9560008MNA |
| AS5C512K8EC-15/883C | 5962-9560014MNA |
| AS5C512K8EC-15L/883C | 5962-9560013MNA |

ASI Package Designator ECJ

| ASI Part # | SMD Part # |
|-----------------------|-------------------|
| AS5C512K8ECJ-45/883C | 5962-9560009MMA |
| AS5C512K8ECJ-45L/883C | 5962-9560005MMA |
| AS5C512K8ECJ-35/883C | 5962-9560010MMA |
| AS5C512K8ECJ-35L/883C | 5962-9560006MMA |
| AS5C512K8ECJ-25/883C | 5962-9560011MMA |
| AS5C512K8ECJ-25L/883C | 5962-9560007MMA |
| AS5C512K8ECJ-20/883C | 5962-9560012MMA |
| AS5C512K8ECJ-20L/883C | 5962-9560008MMA |
| AS5C512K8ECJ-15/883C | 5962-9560014MMA |
| AS5C512K8ECJ-15L/883C | 5962-9560013MMA |

ASI Package Designator F

| ASI Part # | SMD Part # |
|---------------------|-------------------|
| AS5C512K8F-45/883C | 5962-9560009MTA |
| AS5C512K8F-45L/883C | 5962-9560005MTA |
| AS5C512K8F-35/883C | 5962-9560010MTA |
| AS5C512K8F-35L/883C | 5962-9560006MTA |
| AS5C512K8F-25/883C | 5962-9560011MTA |
| AS5C512K8F-25L/883C | 5962-9560007MTA |
| AS5C512K8F-20/883C | 5962-9560012MTA |
| AS5C512K8F-20L/883C | 5962-9560008MTA |
| AS5C512K8F-15/883C | 5962-9560014MTA |
| AS5C512K8F-15L/883C | 5962-9560013MTA |

* ASI part number is for reference only. Orders received referencing the SMD part number will be processed per the SMD.



**ASI TO DSCC PART NUMBER
CROSS REFERENCE
FOR SMD 5962-95613***

ASI Package Designator EC

ASI Package Designator ECJ

| ASI Part # | SMD Part # |
|-------------------|-------------------|
| AS5C512K8EC-55/H | 5962-9561305HNA |
| AS5C512K8EC-55L/H | 5962-9561319HNA |
| AS5C512K8EC-45/H | 5962-9561306HNA |
| AS5C512K8EC-45L/H | 5962-9561320HNA |
| AS5C512K8EC-45/H | 5962-9561311HNA |
| AS5C512K8EC-45L/H | 5962-9561325HNA |
| AS5C512K8EC-35/H | 5962-9561307HNA |
| AS5C512K8EC-35L/H | 5962-9561321HNA |
| AS5C512K8EC-35/H | 5962-9561312HNA |
| AS5C512K8EC-35L/H | 5962-9561326HNA |
| AS5C512K8EC-25/H | 5962-9561308HNA |
| AS5C512K8EC-25L/H | 5962-9561322HNA |
| AS5C512K8EC-25/H | 5962-9561313HNA |
| AS5C512K8EC-25L/H | 5962-9561327HNA |
| AS5C512K8EC-20/H | 5962-9561309HNA |
| AS5C512K8EC-20L/H | 5962-9561323HNA |
| AS5C512K8EC-17/H | 5962-9561310HNA |
| AS5C512K8EC-17L/H | 5962-9561324HNA |
| AS5C512K8EC-55/H | 5962-9561305HNC |
| AS5C512K8EC-55L/H | 5962-9561319HNC |
| AS5C512K8EC-45/H | 5962-9561306HNC |
| AS5C512K8EC-45L/H | 5962-9561320HNC |
| AS5C512K8EC-45/H | 5962-9561311HNC |
| AS5C512K8EC-45L/H | 5962-9561325HNC |
| AS5C512K8EC-35/H | 5962-9561307HNC |
| AS5C512K8EC-35L/H | 5962-9561321HNC |
| AS5C512K8EC-35/H | 5962-9561312HNC |
| AS5C512K8EC-35L/H | 5962-9561326HNC |
| AS5C512K8EC-25/H | 5962-9561308HNC |
| AS5C512K8EC-25L/H | 5962-9561322HNC |
| AS5C512K8EC-25/H | 5962-9561313HNC |
| AS5C512K8EC-25L/H | 5962-9561327HNC |
| AS5C512K8EC-20/H | 5962-9561309HNC |
| AS5C512K8EC-20L/H | 5962-9561323HNC |
| AS5C512K8EC-17/H | 5962-9561310HNC |
| AS5C512K8EC-17L/H | 5962-9561324HNC |

| ASI Part # | SMD Part # |
|--------------------|-------------------|
| AS5C512K8ECJ-55/H | 5962-9561305HZA |
| AS5C512K8ECJ-55L/H | 5962-9561319HZA |
| AS5C512K8ECJ-45/H | 5962-9561306HZA |
| AS5C512K8ECJ-45L/H | 5962-9561320HZA |
| AS5C512K8ECJ-45/H | 5962-9561311HZA |
| AS5C512K8ECJ-45L/H | 5962-9561325HZA |
| AS5C512K8ECJ-35/H | 5962-9561307HZA |
| AS5C512K8ECJ-35L/H | 5962-9561321HZA |
| AS5C512K8ECJ-35/H | 5962-9561312HZA |
| AS5C512K8ECJ-35L/H | 5962-9561326HZA |
| AS5C512K8ECJ-25/H | 5962-9561308HZA |
| AS5C512K8ECJ-25L/H | 5962-9561322HZA |
| AS5C512K8ECJ-25/H | 5962-9561313HZA |
| AS5C512K8ECJ-25L/H | 5962-9561327HZA |
| AS5C512K8ECJ-20/H | 5962-9561309HZA |
| AS5C512K8ECJ-20L/H | 5962-9561323HZA |
| AS5C512K8ECJ-17/H | 5962-9561310HZA |
| AS5C512K8ECJ-17L/H | 5962-9561324HZA |
| AS5C512K8ECJ-55/H | 5962-9561305HZC |
| AS5C512K8ECJ-55L/H | 5962-9561319HZC |
| AS5C512K8ECJ-45/H | 5962-9561306HZC |
| AS5C512K8ECJ-45L/H | 5962-9561320HZC |
| AS5C512K8ECJ-45/H | 5962-9561311HZC |
| AS5C512K8ECJ-45L/H | 5962-9561325HZC |
| AS5C512K8ECJ-35/H | 5962-9561307HZC |
| AS5C512K8ECJ-35L/H | 5962-9561321HZC |
| AS5C512K8ECJ-35/H | 5962-9561312HZC |
| AS5C512K8ECJ-35L/H | 5962-9561326HZC |
| AS5C512K8ECJ-25/H | 5962-9561308HZC |
| AS5C512K8ECJ-25L/H | 5962-9561322HZC |
| AS5C512K8ECJ-25/H | 5962-9561313HZC |
| AS5C512K8ECJ-25L/H | 5962-9561327HZC |
| AS5C512K8ECJ-20/H | 5962-9561309HZC |
| AS5C512K8ECJ-20L/H | 5962-9561323HZC |
| AS5C512K8ECJ-17/H | 5962-9561310HZC |
| AS5C512K8ECJ-17L/H | 5962-9561324HZC |

* ASI part number is for reference only. Orders received referencing the SMD part number will be processed per the SMD.

Continued on next page.



**ASI TO DSCC PART NUMBER
CROSS REFERENCE
FOR SMD 5962-95613***

ASI Package Designator F

| ASI Part # | SMD Part # |
|-------------------|-------------------|
| AS5C512K8F-55/H | 5962-9561305HUA |
| AS5C512K8F-55L/H | 5962-9561319HUA |
| AS5C512K8F-45/H | 5962-9561306HUA |
| AS5C512K8F-45L/H | 5962-9561320HUA |
| AS5C512K8F-45/H | 5962-9561311HUA |
| AS5C512K8F-45L/H | 5962-9561325HUA |
| AS5C512K8F-35/H | 5962-9561307HUA |
| AS5C512K8F-35L/H | 5962-9561321HUA |
| AS5C512K8F-35/H | 5962-9561312HUA |
| AS5C512K8F-35L/H | 5962-9561326HUA |
| AS5C512K8F-25/H | 5962-9561308HUA |
| AS5C512K8F-25L/H | 5962-9561322HUA |
| AS5C512K8F-25/H | 5962-9561313HUA |
| AS5C512K8F-25L/H | 5962-9561327HUA |
| AS5C512K8F-20/H | 5962-9561309HUA |
| AS5C512K8F-20L/H | 5962-9561323HUA |
| AS5C512K8F-17/H | 5962-9561310HUA |
| AS5C512K8F-17L/H | 5962-9561324HUA |
| AS5C512K8F-55/H | 5962-9561305HUC |
| AS5C512K8F-55L/H | 5962-9561319HUC |
| AS5C512K8F-45/H | 5962-9561306HUC |
| AS5C512K8F-45L/H | 5962-9561320HUC |
| AS5C512K8F-45/H | 5962-9561311HUC |
| AS5C512K8F-45L/H | 5962-9561325HUC |
| AS5C512K8F-35/H | 5962-9561307HUC |
| AS5C512K8F-35L/H | 5962-9561321HUC |
| AS5C512K8F-35/H | 5962-9561312HUC |
| AS5C512K8F-35L/H | 5962-9561326HUC |
| AS5C512K8F-25/H | 5962-9561308HUC |
| AS5C512K8F-25L/H | 5962-9561322HUC |
| AS5C512K8F-25/H | 5962-9561313HUC |
| AS5C512K8F-25L/H | 5962-9561327HUC |
| AS5C512K8F-20/H | 5962-9561309HUC |
| AS5C512K8F-20L/H | 5962-9561323HUC |
| AS5C512K8F-17/H | 5962-9561310HUC |
| AS5C512K8F-17L/H | 5962-9561324HUC |

* ASI part number is for reference only. Orders received referencing the SMD part number will be processed per the SMD.