

PRODUCT NUMBER

20020130-XXXXXXLF

20020130- □ □ □ □ A 0 □ L F

PITCH

C: 3.50 mm  
D: 3.81 mm  
G: 5.00 mm  
H: 5.08 mm

POLES

02: 2 POLES  
03: 3 POLES  
04: 4 POLES  
  
24: 24 POLES



LF : DENOTED RoHS COMPATIBLE

1 : STANDARD PRODUCT  
W/ BOX PACKING

HOUSING CODE

CODE	COLOR	AVAILABILITY
1	GREEN(RAL 6018/T)	STANDARD
2	BLACK	ON REQUEST ONLY
3	GREY(RAL 7004/P)	ON REQUEST ONLY
4	BLUE(RAL 5015/A)	ON REQUEST ONLY

PROPERTY TABLE

FCI SERIES NAME	30-350	30-381	30-500	30-508
PITCH (mm)	3.50	3.81	5.00	5.08
VOLTAGE RATING (VAC)	300	300	300	300
CURRENT RATING (A)	cULus	8	8	15
	VDE	10	10	NA
WITHSTANDING VOLTAGE (kV)	cULus	1.6	1.6	1.6
	VDE	2.5	2.5	NA
OPERATING TEMP. (°C)	-40~+115	-40~+115	-40~+115	-40~+115
SOLDERING TEMP. (°C)	250±10	250±10	250±10	250±10
	(5 sec.)	(5 sec.)	(5 sec.)	(5 sec.)
POLES AVAILABLE	02~24	02~24	02~24	02~24
SAFETY CERTIFICATE				

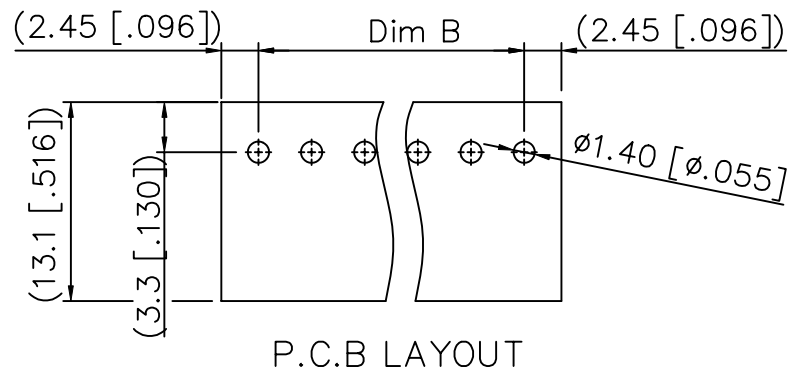
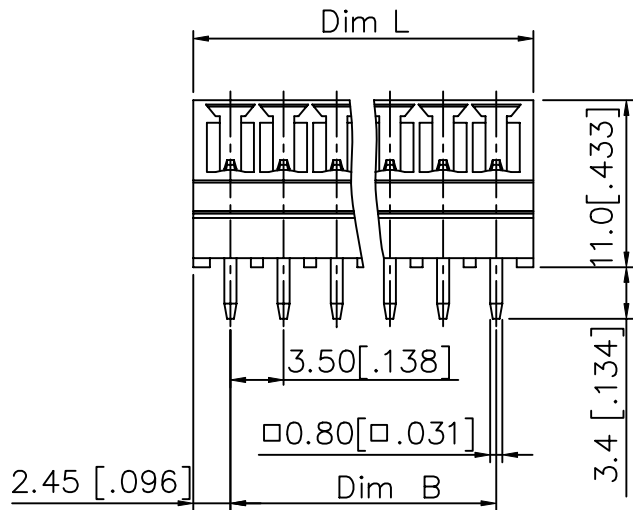
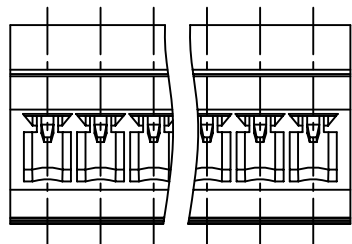
NOTES:

- MATERIALS**  
1-1 HOUSING: THERMALPLASTIC RESIN, UL 94V-0 RATED.  
1-2 TERMINAL: COPPER ALLOY, TIN PLATED.
- PRODUCT SPECIFICATION REFER TO FCI GS-12-625.**
- BOXED PACKAGING,**  
DETAILED PRODUCT PACKING SPECIFICATION REFER TO FCI GS-14-1394.
- FCI, SAFETY CERTIFICATE LOGO AND SERIES NAME TO BE SHOWN ON PRODUCT SURFACE.**
- THE PRODUCTS WHERE THE PART NUMBER END IN "LF" MEET THE EUROPEAN UNION DIRECTIVE AND OTHER COUNTRY REGULATIONS AS DESCRIBED IN GS-22-008.
- RECOMENDED SOLDERING PROCESS BY WAVE SOLDER.

mat'l. code		surface ASME Y14.5 ✓		tolerance ASME Y14.5		projection		product family	
ltr		ecn no	dr	date		tolerances unless otherwise specified		TERMINAL BLOCK	
A	T10-0099	WL	070110			X.±0.5		title	
B	T10-0161	WL	101210	angles		X.X±0.3		TERMINAL BLOCK	
C	T11-0013	WL	040811	X°±1°		X.XX±0.1		PLUGGABLE SIGNAL, SOCKET 45° ANGLE	
		dr		WENDY CHEN		062310		scale	
		enr		JASON HSU		062310		dwg no	
		chr		GARY HSIEH		062310		sheet 1 of 5 size	
		appd		JOSEPH HSIA		062310		20020130	
sheet index		revision sheet		C	C	C	C	A4	
		1 2		3	4	5	type		
								CUSTOMER Drawing	



PRODUCT NUMBER	SERIES NAME	PITCH
20020130-CXXXXXXLF	30-350	3.50 mm

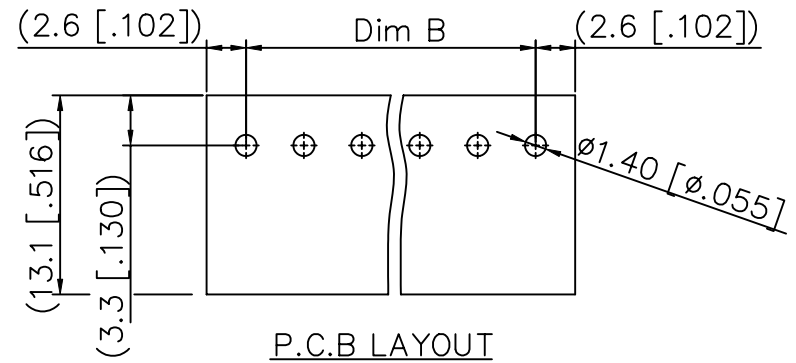
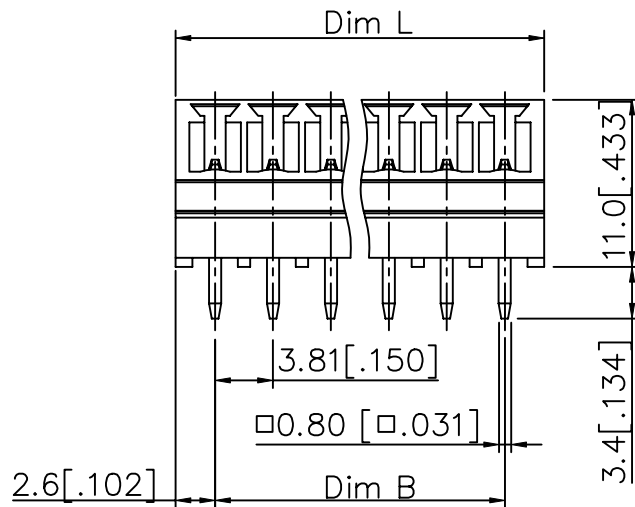
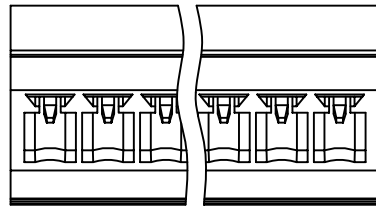


POLE		2	3	4	5	6	7	8
DIM.L		8.4[.331]	11.9[.468]	15.4[.606]	18.9[.744]	22.4[.881]	25.9[1.019]	29.4[1.157]
DIM.B		3.50[.138]	7.00[.276]	10.50[.413]	14.00[.551]	17.50[.689]	21.00[.827]	24.50[.965]
Tol.		±0.10[.004]			±0.15[.006]			±0.20[.008]
POLE	9	10	11	12	13	14	15	16
DIM.L	32.9[1.295]	36.4[1.433]	39.9[1.571]	43.4[1.708]	46.9[1.846]	50.4[1.984]	53.9[2.122]	57.4[2.259]
DIM.B	28.00[1.102]	31.50[1.240]	35.00[1.378]	38.50[1.516]	42.00[1.654]	45.5[1.791]	49.0[1.929]	52.50[2.067]
Tol.	±0.20[.008]				±0.25[.010]			
POLE	17	18	19	20	21	22	23	24
DIM.L	60.9[2.397]	64.4[2.535]	67.9[2.673]	71.4[2.811]	74.9[2.948]	78.4[3.086]	81.9[3.224]	85.4[3.362]
DIM.B	56.00[2.205]	59.50[2.342]	63.00[2.480]	66.50[2.618]	70.00[2.756]	73.50[2.894]	77.00[3.031]	80.50[3.169]
Tol.	±0.25[.010]				±0.30[.012]			

mat'l. code		surface ASME Y14.5	tolerance ASME Y14.5	projection 	product family TERMINAL BLOCK
ltr	ecn no	dr	date	tolerances unless otherwise specified	title
c				angles X±0.5 X.X±0.3 X°±1'	TERMINAL BLOCK PLUGGABLE SIGNAL, SOCKET 45° ANGLE
				MM [INCH]	scale
		dr	WENDY CHEN	062310	dwg no
		enr	JASON HSU	062310	sheet 2 of 5
		chr	GARY HSIEH	062310	20020130
		appd	JOSEPH HSIA	062310	A4
sheet index	revision sheet				type CUSTOMER Drawing



PRODUCT NUMBER	SERIES NAME	PITCH
20020130-DXXXXXXLF	30-381	3.81 mm

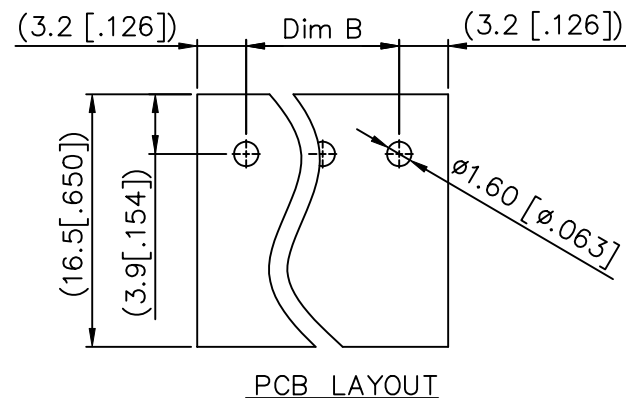
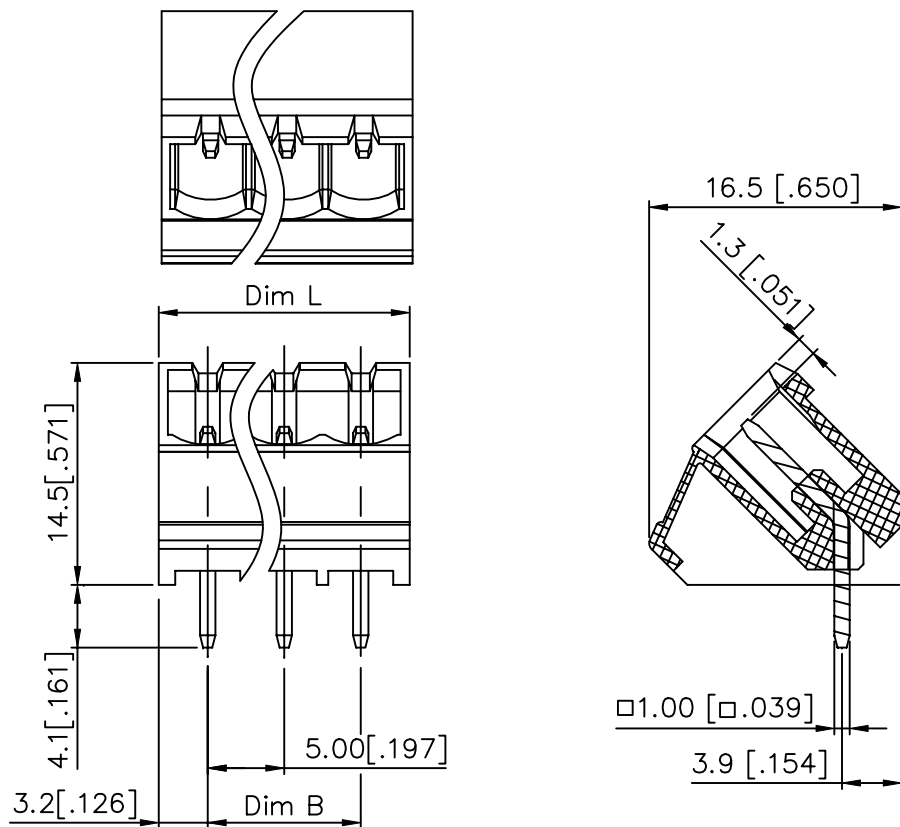


POLE		2	3	4	5	6	7	8
Dim.L		9.01[.300]	12.82[.450]	16.63[.600]	20.44[.750]	24.25[.900]	28.06[1.050]	31.87[1.200]
Dim.B		3.81[.150]	7.62[.300]	11.43[.450]	15.24[.600]	19.05[.750]	22.86[.900]	26.67[1.050]
Tol.		±0.10[.004]			±0.15[.006]			±0.20[.008]
POLE	9	10	11	12	13	14	15	16
Dim.L	35.68[1.350]	39.49[1.500]	43.3[1.650]	47.11[1.800]	50.92[1.950]	54.73[2.100]	58.54[2.250]	62.35[2.400]
Dim.B	30.48[1.200]	34.29[1.350]	38.10[1.500]	41.91[1.650]	45.72[1.800]	49.53[1.950]	53.34[2.100]	57.15[2.250]
Tol.	±0.20[.008]				±0.25[.010]			
POLE	17	18	19	20	21	22	23	24
Dim.L	66.16[2.550]	69.97[2.700]	73.78[2.850]	77.59[3.000]	81.4[3.150]	85.21[3.300]	89.02[3.450]	92.83[3.600]
Dim.B	60.96[2.400]	64.77[2.550]	68.58[2.700]	72.39[2.850]	76.20[3.000]	80.01[3.150]	83.82[3.300]	
Tol.	±0.25[.010]				±0.30[.012]			

mat'l. code		surface ASME Y14.5	tolerance ASME Y14.5	projection 	product family TERMINAL BLOCK
ltr	ecn no	dr	date	tolerances unless otherwise specified	title
c				angles X±0.5 X.X±0.3 X°±1'	TERMINAL BLOCK PLUGGABLE SIGNAL, SOCKET 45° ANGLE
				scale MM [INCH]	dwg no 20020130
		dr	WENDY CHEN	062310	sheet 3 of 5
		enr	JASON HSU	062310	A4
		chr	GARY HSIEH	062310	
		appd	JOSEPH HSIA	062310	type CUSTOMER Drawing
sheet index	revision sheet				



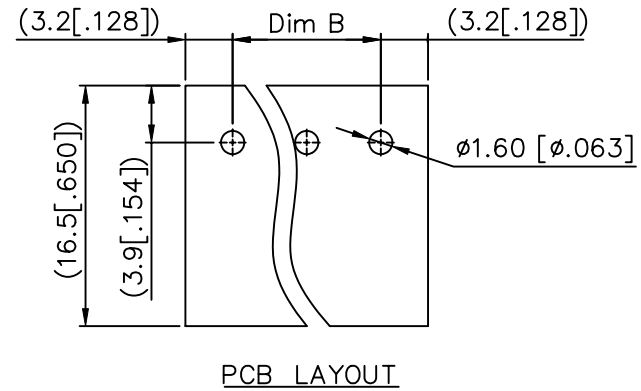
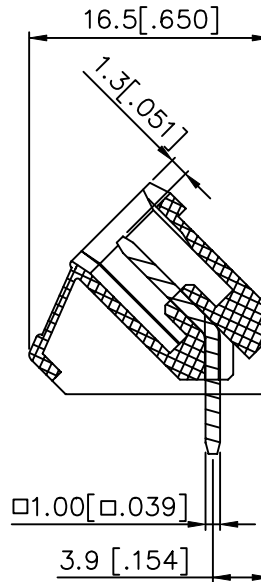
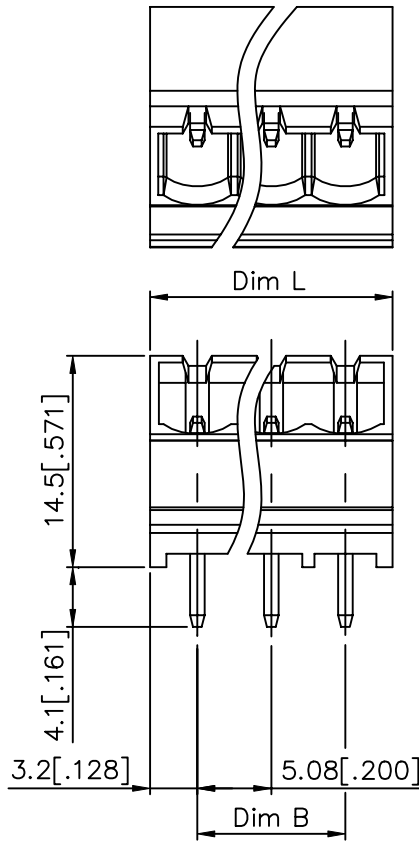
PRODUCT NUMBER	SERIES NAME	PITCH
20020130-GXXXXXXLF	30-500	5.00 mm



POLE	<del>1</del>	2	3	4	5	6	7	8
DIM.L	<del>46.4[1.827]</del>	11.4[.449]	16.4[.645]	21.4[.842]	26.4[1.039]	31.4[1.236]	36.4[1.433]	41.4[1.630]
DIM.B	<del>40.0[1.574]</del>	5.0[.196]	10.0[.394]	15.0[.590]	20.0[.787]	25.0[.984]	30.0[1.181]	35.0[1.377]
Tol.		±0.15[.006]						±0.25[.010]
POLE	9	10	11	12	13	14	15	16
DIM.L	46.4[1.827]	51.4[2.024]	56.4[2.220]	61.4[2.417]	66.4[2.614]	71.4[2.811]	76.4[3.008]	81.4[3.205]
DIM.B	40.0[1.574]	45.0[1.771]	50.0[1.968]	55.0[2.165]	60.0[2.362]	65.0[2.559]	70.0[2.755]	75.0[2.952]
Tol.	±0.25[.010]				±0.30[.012]			
POLE	17	18	19	20	21	22	23	24
DIM.L	86.4[3.402]	91.4[3.598]	96.4[3.795]	101.4[3.992]	106.4[4.189]	111.4[4.386]	116.4[4.583]	121.4[4.780]
DIM.B	80.0[3.149]	85.0[3.346]	90.0[3.543]	95.0[3.74]	100.0[3.937]	105.0[4.133]	110.0[4.330]	115.0[4.527]
Tol.	±0.30[.012]			±0.40[.016]				

mat'l. code		surface ASME Y14.5	tolerance ASME Y14.5	projection 	product family TERMINAL BLOCK
ltr	ecn no	dr	date	tolerances unless otherwise specified	title
c				angles X±0.5	TERMINAL BLOCK PLUGGABLE SIGNAL, SOCKET 45° ANGLE
				lines X.X±0.3	
				X*±1°	scale MM [INCH]
		dr	WENDY CHEN	062310	dwg no
		enr	JASON HSU	062310	sheet 4 of 5
		chr	GARY HSIEH	062310	20020130
		appd	JOSEPH HSIA	062310	A4
sheet index	revision sheet				type CUSTOMER Drawing

PRODUCT NUMBER	SERIES NAME	PITCH
20020130-HXXXXXLF	30-508	5.08 mm



POLE		2	3	4	5	6	7	8
DIM.L		11.56[.455]	16.64[.655]	21.72[.855]	26.8[1.055]	31.88[1.255]	36.96[1.455]	42.04[1.655]
DIM.B		5.08[.200]	10.16[.400]	15.24[.600]	20.32[.800]	25.4[1.000]	30.48[1.200]	35.56[1.400]
Tol.		±0.15[.006]						±0.25[.010]
POLE	9	10	11	12	13	14	15	16
DIM.L	47.12[1.855]	52.2[2.055]	57.28[2.255]	62.36[2.455]	67.44[2.655]	72.52[2.855]	77.6[3.055]	82.68[3.255]
DIM.B	40.64[1.600]	45.72[1.800]	50.8[2.000]	55.88[2.200]	60.96[2.400]	66.04[2.600]	71.12[2.800]	76.2[3.000]
Tol.	±0.25[.010]				±0.30[.012]			
POLE	17	18	19	20	21	22	23	24
DIM.L	87.76[3.455]	92.84[3.655]	97.92[3.855]	103.0[4.055]	108.08[4.255]	113.16[4.455]	118.24[4.655]	123.32[4.855]
DIM.B	81.28[3.200]	86.36[3.400]	91.44[3.600]	96.52[3.800]	101.6[4.000]	106.68[4.200]	111.76[4.400]	116.84[4.600]
Tol.	±0.30[.012]			±0.40[.016]				

mat'l. code		surface ASME Y14.5 ✓	tolerance ASME Y14.5	projection 	product family TERMINAL BLOCK
ltr	ecn no	dr	date	tolerances unless otherwise specified	title
c				angles X±1°	TERMINAL BLOCK PLUGGABLE SIGNAL, SOCKET 45° ANGLE
				tolerances X.X±0.5 X.X±0.3 X.XX±0.1	MM [INCH]
				scale	scale
		dr	WENDY CHEN	062310	dwg no
		enr	JASON HSU	062310	sheet 5 of 5
		chr	GARY HSIEH	062310	20020130
		appd	JOSEPH HSIA	062310	A4
sheet index	revision sheet				type CUSTOMER Drawing