

PART NUMBER  
GS SERIES CHART 4

REVISION HISTORY					
REV	DOCUMENT	DESCRIPTION	CHG'D BY	DATE	APPROVED
A	0099785	INITIAL RELEASE	RH	2013-04-15	M. MARK

# GSC

SEE CONDUIT  
THREAD CHART

SEE BASIC SWITCH  
CODE CHART

SEE OPERATING HEAD  
CODE CHART

SEE ROLLER MATERIAL  
CODE CHART

SEE ROLLER ORIENTATION  
CODE CHART

CONDUIT THREAD CHART	
CODE	DESCRIPTION
A	1/2-14 NPT CONDUIT THREAD
B	PG 13.5 CONDUIT THREAD
C	M20 X 1.5 CONDUIT THREAD
D	PF 1/2 CONDUIT THREAD

BASIC SWITCH CODE CHART	
CODE	DESCRIPTION
01	S.P.D.T.-SNAP ACTION
03	S.P.D.T.-BREAK BEFORE MAKE
04	S.P.D.T.-MAKE BEFORE BREAK
06	S.P.D.T.-SLOW ACTION-2 NORMALLY CLOSED
07	S.P.D.T.-SNAP ACTION-GOLD
33	S.P.D.T.-BREAK BEFORE MAKE-GOLD
34	S.P.D.T.-MAKE BEFORE BREAK-GOLD
36	S.P.D.T.-SLOW ACTION-2 NORMALLY CLOSED-GOLD



OPERATING HEAD CODE CHART	
CODE	DESCRIPTION
A1	SIDE ROTARY, FIXED LENGTH LEVER
A5	SIDE ROTARY, OFFSET LEVER
B	TOP PIN PLUNGER
C	TOP ROLLER PLUNGER
D	TOP ROLLER LEVER

ROLLER MATERIAL CODE CHART	
CODE	DESCRIPTION
NONE	NO ROLLER
A	PLASTIC ROLLER
B	METAL ROLLER

ROLLER ORIENTATION CODE CHART	
CODE	DESCRIPTION
BLANK	BLANK = STANDARD ORIENTATION-ROLLER PARALLEL TO MOUNTING SURFACE, SWITCHING IN BOTH DIRECTIONS
1	SWITCHING CLOCKWISE ROTATION ONLY
2	SWITCHING COUNTER CLOCKWISE ROTATION ONLY
3	LEVER ON RIGHT
4	LEVER ON LEFT
5	LEVER TO MOUNTING SURFACE
6	HEAD ORIENTED WITH ROLLER PERPENDICULAR TO MOUNTING SURFACE

### NOTES:

- 1 - RED EPOXY PAINT FINISHED ZINC DIE-CAST BODY AND STEEL COVER. BLACK EPOXY PAINT FINISHED ZINC DIE-CAST HEAD.
- 2 - FREE POSITION (F.P.), OPERATING POINT, OVERTRAVEL (O.T.) AND PRE TRAVEL ALL TO EN50047.
- 3 - ANY STANDARD LISTING WITH SUFFIX "RS" OR "FE" IS PERMITTED.
- 4 - DIMENSIONS ARE SHOWN AS MILLIMETERS OVER INCHES. INCH VALUES ARE SHOWN FOR REFERENCE ONLY.
- 5 - MAXIMUM TIGHTENING TORQUE FOR FIXING SCREWS: 0.5 N-m (4.4 in lb).
- 6 - LEVERS MAY BE ATTACHED AND KEYPED TO THE SHAFT AT 10° INCREMENTS FOR OPERATING HEAD CODES A1 AND A5
- 7 - 3.5 (.14) FOR PG13.4, M20 X 1.5 AND PF1/2 CONDUIT THREADS
- 8 - 7.2 (.28) FOR 1/2-14 NPT CONDUIT THREAD

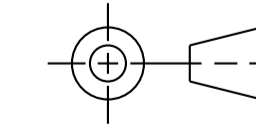
ELECTRICAL RATING		ENVIRONMENTAL	APPROVALS
SILVER CONTACTS		IP66 NEMA 1, 4, 12, 13 TEMP RANGE: -25°C TO +85°C -13°F TO +185°F	  IEC 60947-5-1 EN50047
GOLD PLATED CONTACTS			
AC	DC	STORAGE: -40°C TO +85°C -40°F TO +185°F	
A300 Ue	AC15 Ie	SHOCK: 50G PER IEC 68-2-27	VIBRATION: 10G PER IEC 68-2-6
VOLTS 120	AMPS 6		
0300 Ue	DC13 Ie		
125	0.55		
250	0.27		
1th = 10A			
1V 10µA MIN			
50V 100mA MAX			

UNLESS OTHERWISE SPECIFIED  
DIMENSIONS ARE IN MM

DECIMAL TOL NO PLACE ... ±0.5  
1 PLACE ... ±0.3  
2 PLACE ... ±0.15  
3 PLACE ... ±0.05

ANGULAR TOL - ±2° CHAMFER - ±5°

THIRD ANGLE PROJECTION



MATERIAL

FINISH

APPLICABLE DOCUMENTS: ASME Y14.100-2004  
ASME Y14.5-2009

COMPUTER GENERATED DRAWING: PRO/ENGINEER

**Honeywell**

**SWITCH, LIMIT**

SIZE	CAGE CODE	DWG NO	TYPE	REV
A1	91929	GS SERIES CHART 4	I	A

SCALE: NONE REF. WT: SHEET 1 of 6

RELEASE DATE: 2013-04-15  
DRW: H. RAVIKIRAN 2013-02-21  
RDE: M. MARK 2013-02-21  
DA: -  
CHK: M. MARK 2013-02-21

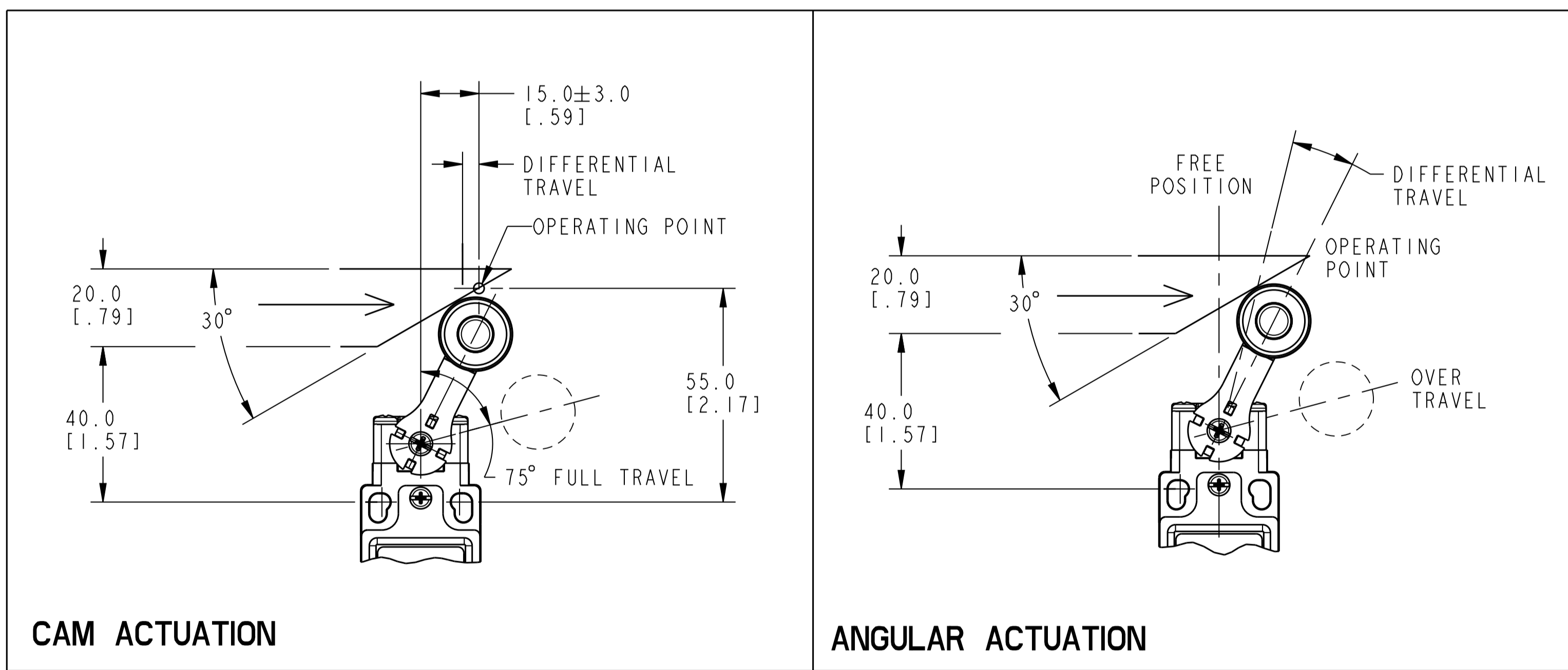
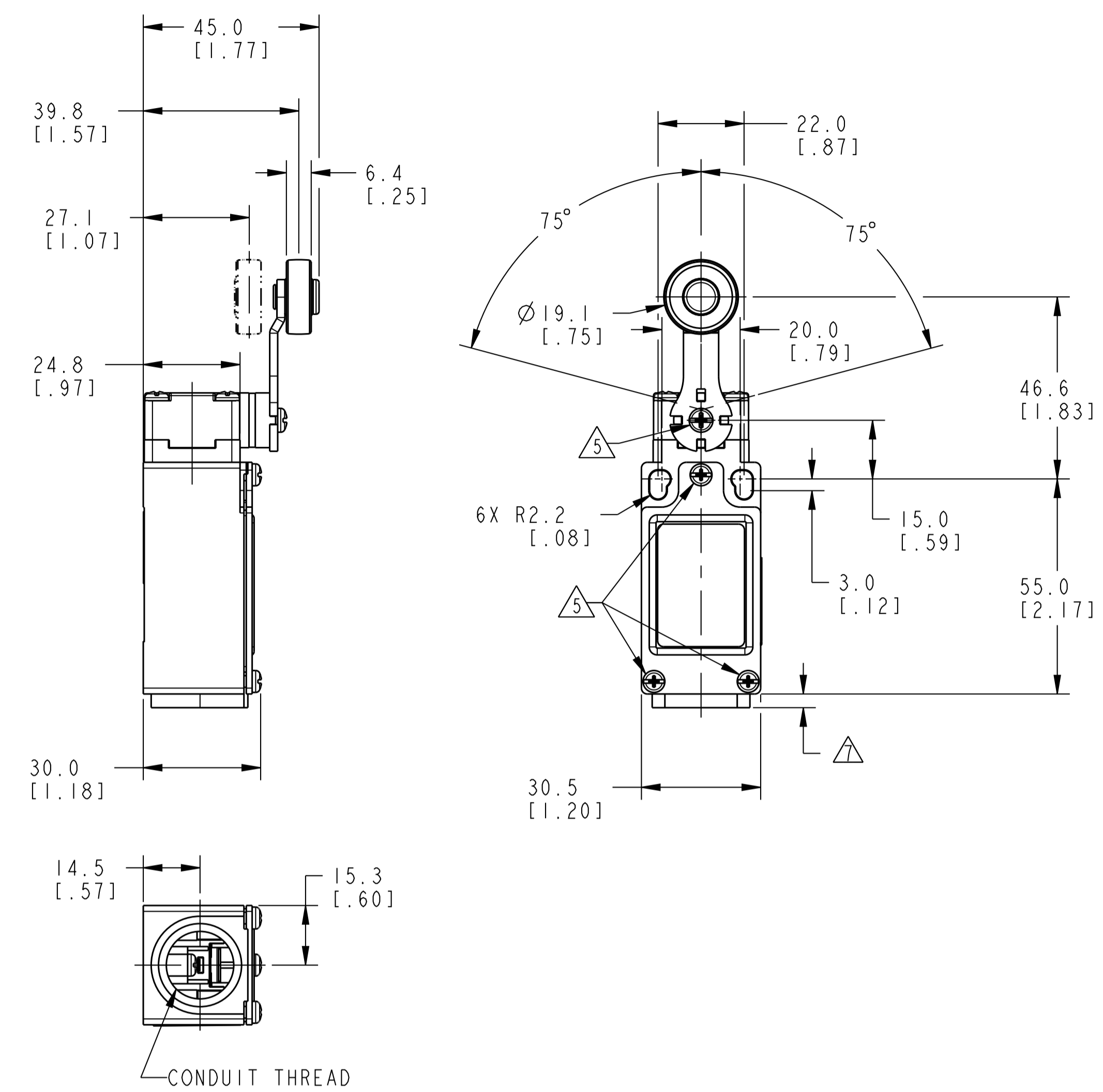
**HONEYWELL CONFIDENTIAL**  
THIS DOCUMENT CONTAINS PROPRIETARY INFORMATION AND SUCH INFORMATION MAY NOT BE DISCLOSED TO OTHERS FOR ANY PURPOSE, NOR USED FOR MANUFACTURING PURPOSES WITHOUT WRITTEN PERMISSION FROM HONEYWELL

PART NUMBER  
GS SERIES CHART 6

BASIC SWITCH CODE	CONTACT BLOCK DIAGRAM	OPERATING TORQUE MAX Nmm in. lbs	DISCONNECT TORQUE MAX Nmm in. lbs	CAM ACTUATION PER EN50041		ANGULAR ACTUATION	
				NOMINAL TRAVELS AND RELATED TERMINALS ■ - CONTACT CLOSED □ - CONTACT OPEN ▨ - CONTACT CLOSED DIFFERENTIAL TRAVEL, ** POSITIVE OPENING TO IEC 947-5-1 DIMENSIONS IN mm		NOMINAL TRAVELS AND RELATED TERMINALS ■ - CONTACT CLOSED □ - CONTACT OPEN ▨ - CONTACT CLOSED DIFFERENTIAL TRAVEL, ** POSITIVE OPENING TO IEC 947-5-1 DIMENSIONS IN mm	
01 07	SNAP ACTION SINGLE POLE 	120 1.1	140 1.3		9.8 DIFFERENTIAL TRAVEL		11.5° DIFFERENTIAL TRAVEL
03 33	SLOW ACTION BREAK BEFORE MAKE 	110 1.0	160 1.5		27.9		39°
04 34	SLOW ACTION MAKE BEFORE BREAK 	110 1.0	170 1.6		15		26°
06 36	SLOW ACTION 2 NORMALLY CLOSED 	110 1.0	150 1.4		15		26°

MIN. OPERATING VELOCITY = 2.0mm/S (0.08in/S)  
 MAX. OPERATING VELOCITY = 200mm/S (7.9in/S)  
 MAX. OPERATING FREQUENCY = 250 OPS/MINUTE

**SIDE ROTARY OPERATING HEAD CODE A1**



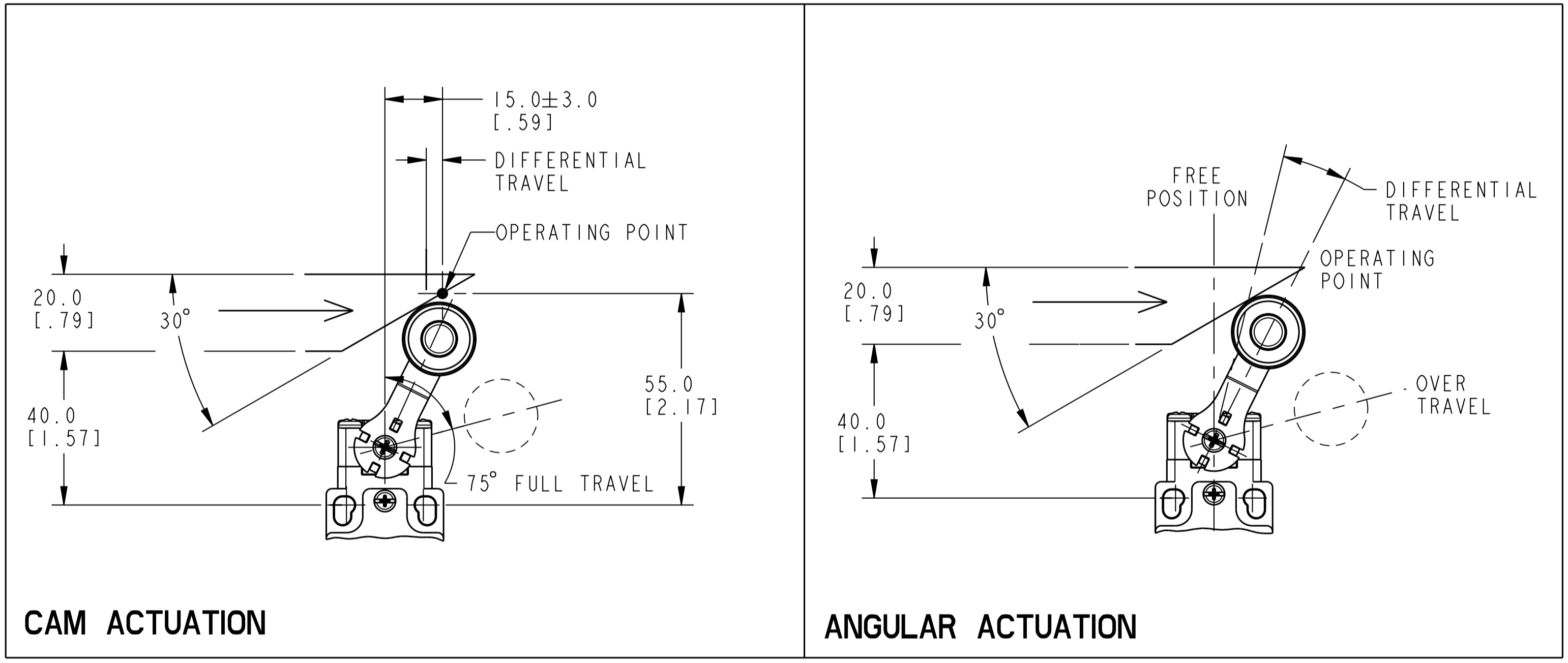
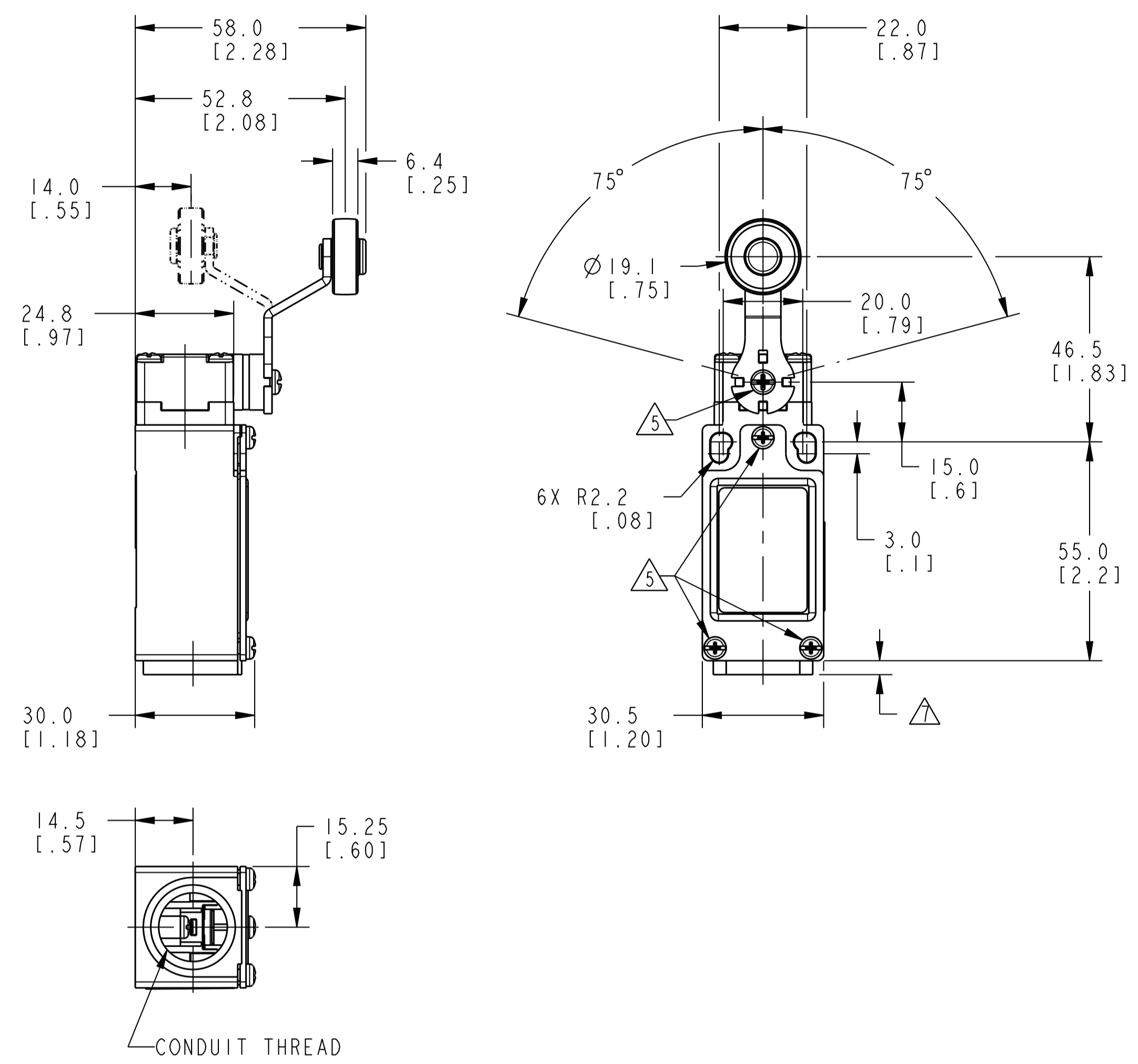
<b>Honeywell</b>				
TITLE <b>SWITCH, LIMIT</b>				
SIZE <b>A1</b>	CAGE CODE <b>91929</b>	DWG NO <b>GS SERIES CHART 4</b>	TYPE <b>I</b>	REV <b>A</b>
SCALE 1:1	REF WT:	SHEET 2 of 6		

PART NUMBER  
GS SERIES CHART 6

BASIC SWITCH CODE	CONTACT BLOCK DIAGRAM	OPERATING TORQUE MAX Nmm in. lbs	DISCONNECT TORQUE MAX Nmm in. lbs	CAM ACTUATION PER EN50041		ANGULAR ACTUATION	
				NOMINAL TRAVELS AND RELATED TERMINALS ■ - CONTACT CLOSED □ - CONTACT OPEN ▨ - CONTACT CLOSED DIFFERENTIAL TRAVEL, ** POSITIVE OPENING TO IEC 947-5-1 DIMENSIONS IN mm		NOMINAL TRAVELS AND RELATED TERMINALS ■ - CONTACT CLOSED □ - CONTACT OPEN ▨ - CONTACT CLOSED DIFFERENTIAL TRAVEL, ** POSITIVE OPENING TO IEC 947-5-1 DIMENSIONS IN mm	
01 07	SNAP ACTION SINGLE POLE 	120 1.1	140 1.3		9.8 DIFFERENTIAL TRAVEL		11.5° DIFFERENTIAL TRAVEL
03 33	SLOW ACTION BREAK BEFORE MAKE 	110 1.0	160 1.5		27.9		39°
04 34	SLOW ACTION MAKE BEFORE BREAK 	110 1.0	170 1.6		15		26°
06 36	SLOW ACTION 2 NORMALLY CLOSED 	110 1.0	150 1.4				

MIN. OPERATING VELOCITY = 2.0mm/S (0.08in/S)  
 MAX. OPERATING VELOCITY = 200mm/S (7.9in/S)  
 MAX. OPERATING FREQUENCY = 250 OPS/MINUTE

**SIDE ROTARY OPERATING HEAD CODE A5**

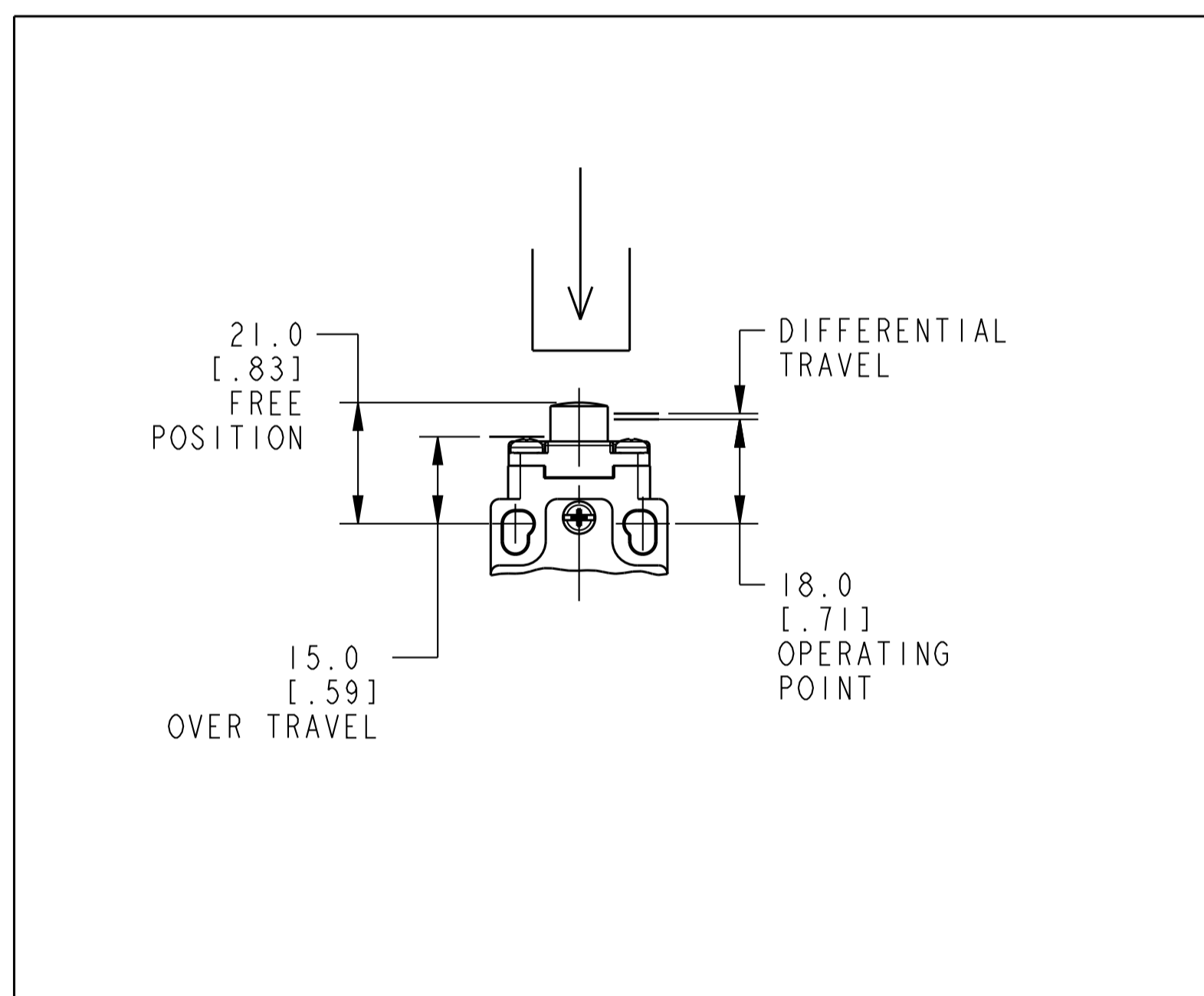


<b>Honeywell</b>				
TITLE <b>SWITCH, LIMIT</b>				
SIZE <b>A1</b>	CAGE CODE <b>91929</b>	DWG NO <b>GS SERIES CHART 4</b>	TYPE <b>I</b>	REV <b>A</b>
SCALE 1:1	REF WT:	SHEET 3 of 6		

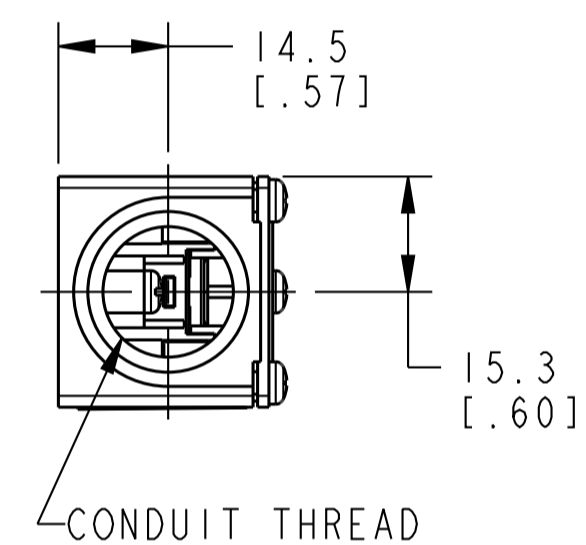
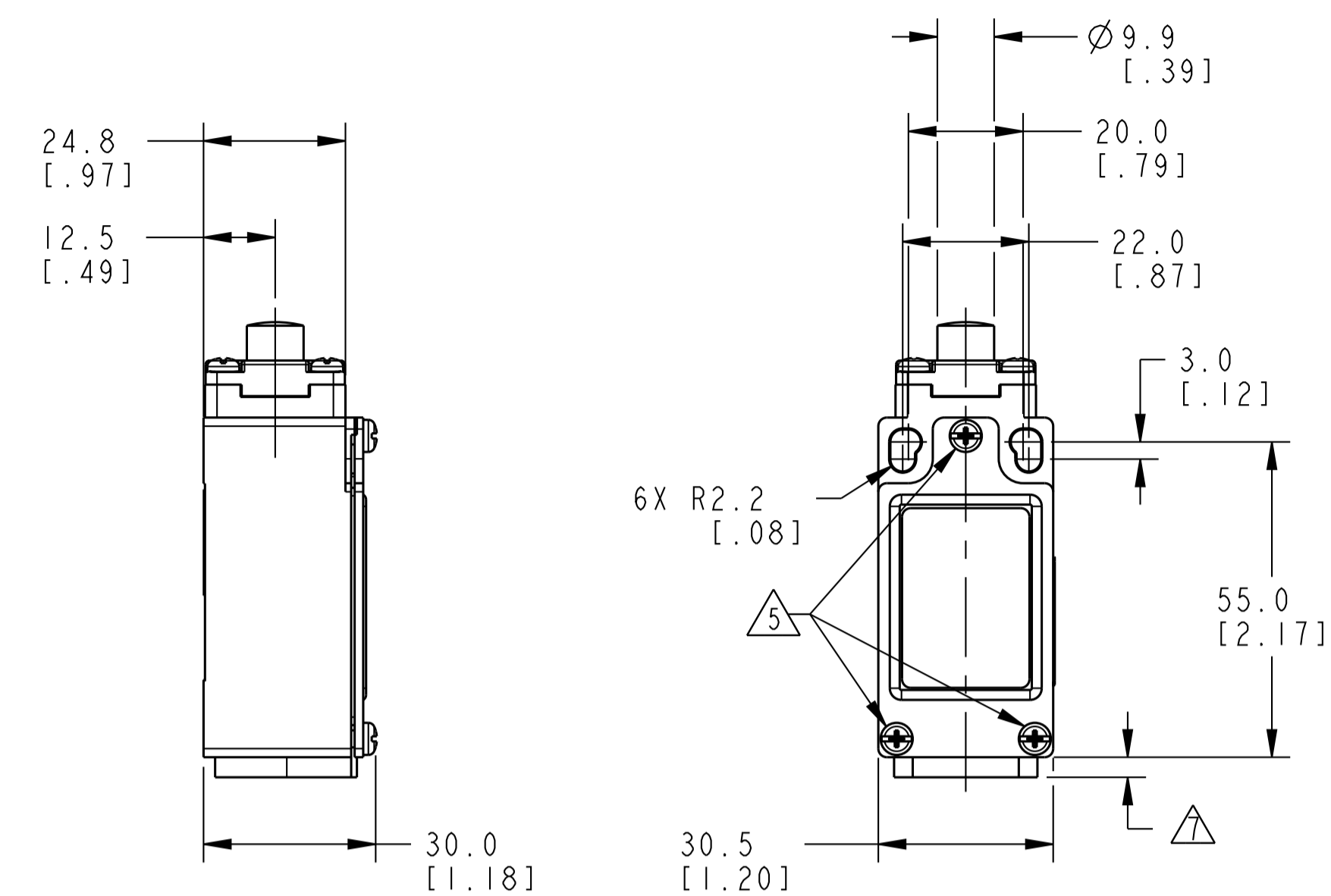
PART NUMBER  
GS SERIES CHART 6

BASIC SWITCH CODE	CONTACT BLOCK DIAGRAM	OPERATING FORCE MAX N lbs	DISCONNECT FORCE MAX N lbs	PIN ACTUATION	
				NOMINAL TRAVELS AND RELATED TERMINALS ■ - CONTACT CLOSED □ - CONTACT OPEN ▨ - CONTACT CLOSED DIFFERENTIAL TRAVEL, ** POSITIVE OPENING TO IEC 947-5-1 DIMENSIONS IN mm	
01 07	SNAP ACTION SINGLE POLE 	16 3.6	23 5.2	→ 21-22 13-14 21 FP 18 16** 15 OT	← 0.9 DIFFERENTIAL TRAVEL
03 33	SLOW ACTION BREAK BEFORE MAKE 	14 3.2	24 5.4	→ 21-22 13-14 21 FP 18 17.2** 15 OT	17
04 34	SLOW ACTION MAKE BEFORE BREAK 	16 3.6	27 6.1	→ 21-22 13-14 21 FP 17 16.2** 15 OT	18
06 36	SLOW ACTION 2 NORMALLY CLOSED 	13 2.9	23 5.2	→ 21-22 11-12 21 FP 18 16.5** 15 OT	

MIN. OPERATING VELOCITY = 1.0mm/S (0.04in/S)  
 MAX. OPERATING VELOCITY = 100mm/S (3.9in/S)  
 MAX. OPERATING FREQUENCY = 250 OPS/MINUTE



TOP PIN PLUNGER  
OPERATING HEAD CODE B



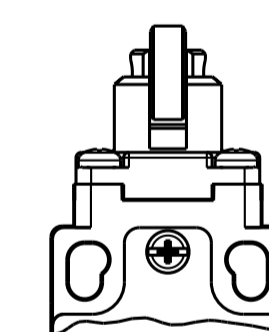
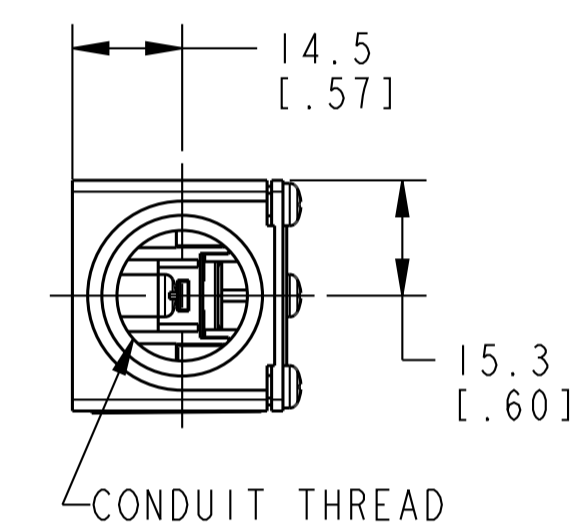
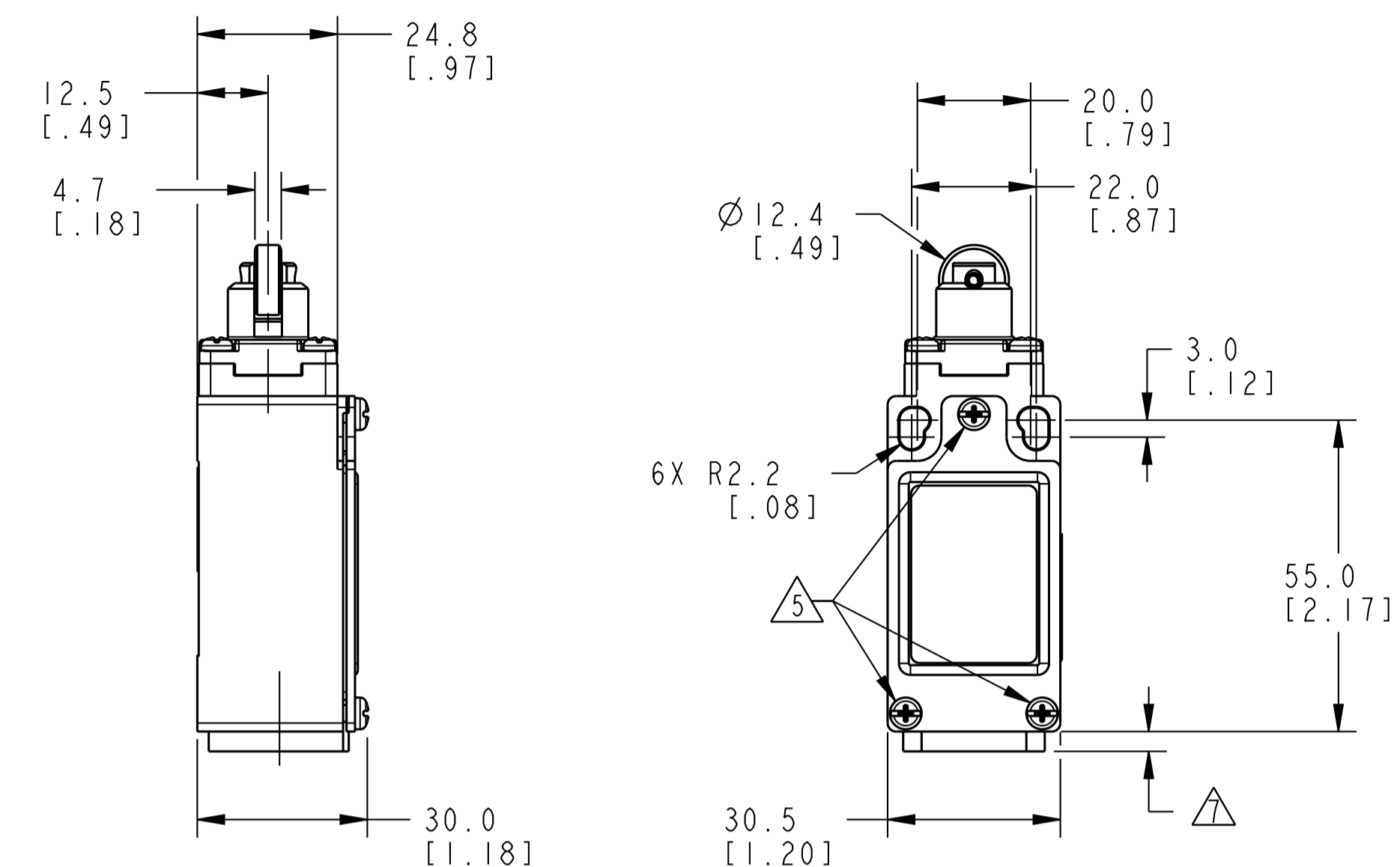
<b>Honeywell</b>				
TITLE <b>SWITCH, LIMIT</b>				
SIZE <b>A1</b>	CAGE CODE <b>91929</b>	DWG NO <b>GS SERIES CHART 4</b>	TYPE <b>I</b>	REV <b>A</b>
SCALE 1:1	REF WT:	SHEET 4 of 6		

PART NUMBER  
GS SERIES CHART 6

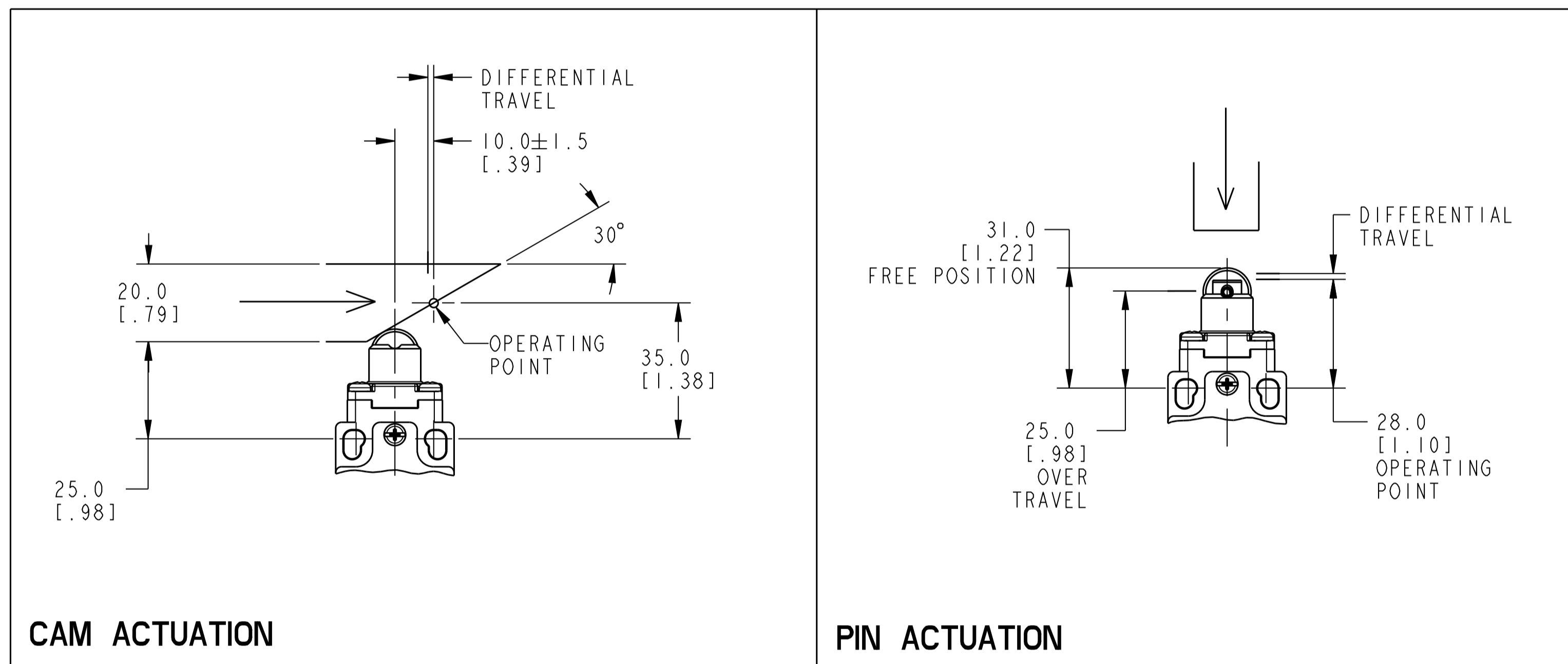
BASIC SWITCH CODE	CONTACT BLOCK DIAGRAM	OPERATING FORCE MAX N lbs	DISCONNECT FORCE MAX N lbs	CAM ACTUATION PER EN50041		PIN ACTUATION	
				NOMINAL TRAVELS AND RELATED TERMINALS ■ - CONTACT CLOSED □ - CONTACT OPEN ▨ - CONTACT CLOSED DIFFERENTIAL TRAVEL, ** POSITIVE OPENING TO IEC 947-5-1 DIMENSIONS IN mm		NOMINAL TRAVELS AND RELATED TERMINALS ■ - CONTACT CLOSED □ - CONTACT OPEN ▨ - CONTACT CLOSED DIFFERENTIAL TRAVEL, ** POSITIVE OPENING TO IEC 947-5-1 DIMENSIONS IN mm	
01 07	SNAP ACTION SINGLE POLE 	16 3.6	23 5.2		1.6 DIFFERENTIAL TRAVEL		0.9 DIFFERENTIAL TRAVEL
03 33	SLOW ACTION BREAK BEFORE MAKE 	14 3.2	24 5.4		12.2		27
04 34	SLOW ACTION MAKE BEFORE BREAK 	16 3.6	27 6.1		10.5		28
06 36	SLOW ACTION 2 NORMALLY CLOSED 	13 2.9	23 5.2				

MIN. OPERATING VELOCITY = 1.0mm/S (0.04in/S)  
 MAX. OPERATING VELOCITY = 100mm/S (3.9in/S)  
 MAX. OPERATING FREQUENCY = 250 OPS/MINUTE

TOP ROLLER PLUNGER  
OPERATING HEAD CODE C



ROLLER ORIENTATION  
CODE 6 DETAIL



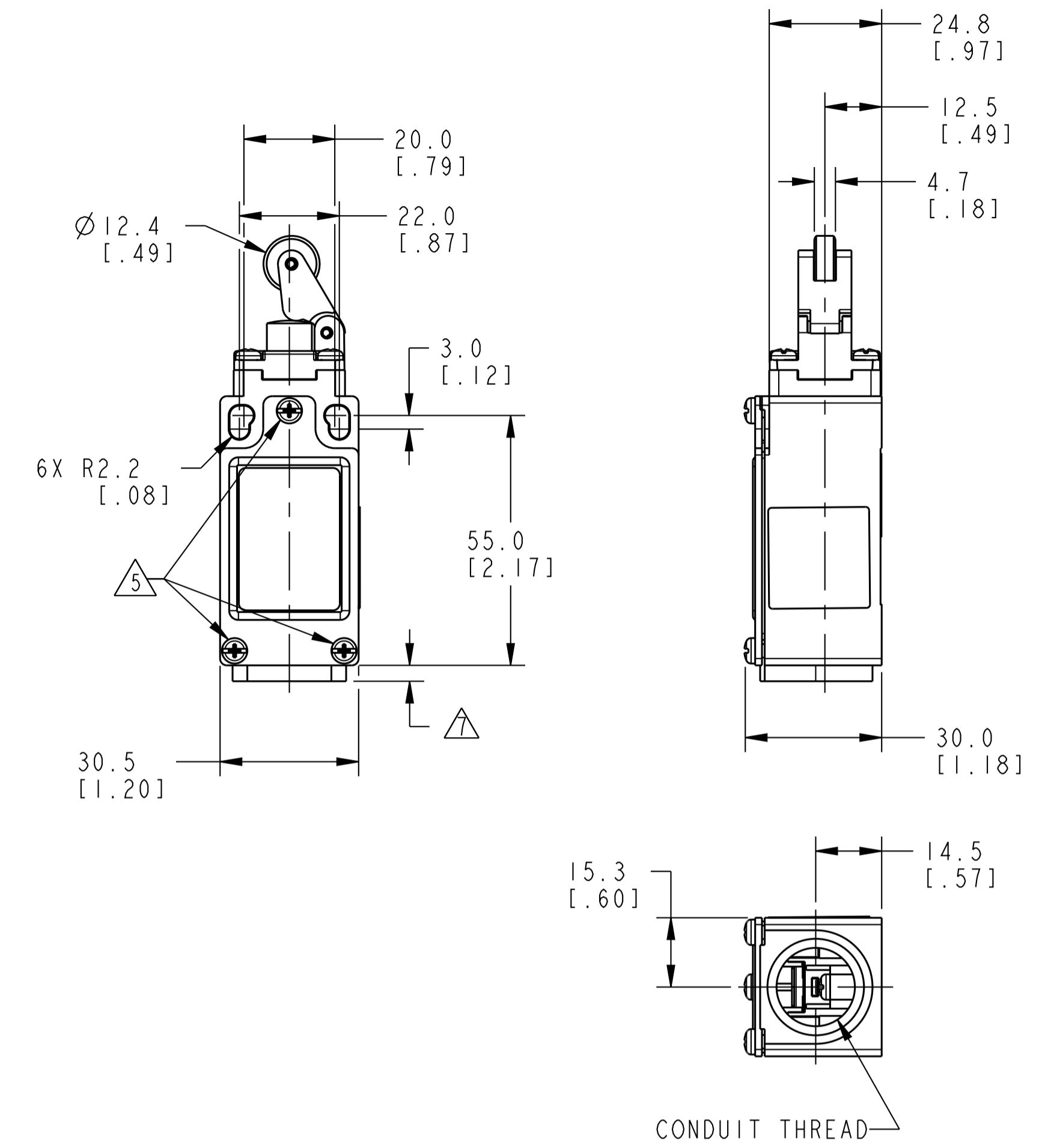
<b>Honeywell</b>				
TITLE <b>SWITCH, LIMIT</b>				
SIZE <b>A1</b>	CAGE CODE <b>91929</b>	DWG NO <b>GS SERIES CHART 4</b>	TYPE <b>I</b>	REV <b>A</b>
SCALE 1:1	REF. WT.	SHEET 5 of 6		

PART NUMBER  
GS SERIES CHART 6

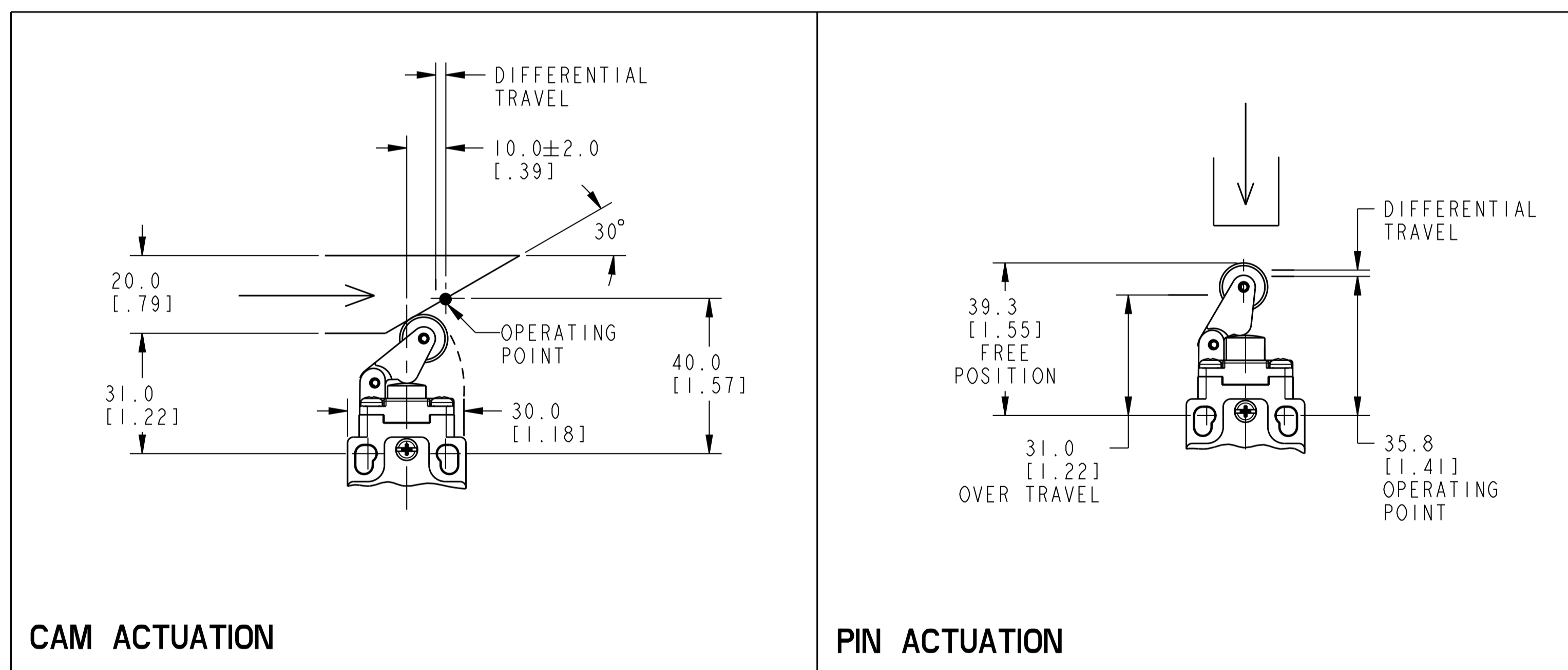
BASIC SWITCH CODE	CONTACT BLOCK DIAGRAM	OPERATING FORCE MAX N lbs	DISCONNECT FORCE MAX N lbs	CAM ACTUATION PER EN50041		PIN ACTUATION	
				NOMINAL TRAVELS AND RELATED TERMINALS ■ - CONTACT CLOSED □ - CONTACT OPEN ▨ - CONTACT CLOSED DIFFERENTIAL TRAVEL, ** POSITIVE OPENING TO IEC 947-5-1 DIMENSIONS IN mm		NOMINAL TRAVELS AND RELATED TERMINALS ■ - CONTACT CLOSED □ - CONTACT OPEN ▨ - CONTACT CLOSED DIFFERENTIAL TRAVEL, ** POSITIVE OPENING TO IEC 947-5-1 DIMENSIONS IN mm	
01 07	SNAP ACTION SINGLE POLE 	10 2.2	13 3.0				
03 33	SLOW ACTION BREAK BEFORE MAKE 	9 2.0	16 3.6				
04 34	SLOW ACTION MAKE BEFORE BREAK 	10 2.2	17 3.8				
06 36	SLOW ACTION 2 NORMALLY CLOSED 	8 1.8	13 3.0				

MIN. OPERATING VELOCITY = 1.0mm/S (0.04in/S)  
 MAX. OPERATING VELOCITY = 100mm/S (3.9in/S)  
 MAX. OPERATING FREQUENCY = 250 OPS/MINUTE

TOP ROLLER LEVER  
OPERATING HEAD CODE D



ROLLER ORIENTATION  
CODE 4 DETAIL



CAM ACTUATION

PIN ACTUATION

<b>Honeywell</b>				
TITLE <b>SWITCH, LIMIT</b>				
SIZE <b>A1</b>	CAGE CODE <b>91929</b>	DWG NO <b>GS SERIES CHART 4</b>	TYPE <b>I</b>	REV <b>A</b>
SCALE 1:1	REF. WT.	SHEET 6 of 6		