

Model P260/P261
 12.7mm (1/2") Square
 Rotary Potentiometer
 Sealed or Dust Proof
 Conductive Plastic Element
 1,000,000 Cycle Life
 Rotary Switch Option
 Detent Option
 Multiple Gangs available
 Wire Lead Options
 RoHS Compliant



MODEL STYLES

| | |
|--|-------|
| Side Adjust, PCB Leads, Potentiometer Module (Up to 6 gangs) | P260P |
| Side Adjust, PCB Leads, with Rotary Switch Module (Up to 5 gangs) | P260S |
| Side Adjust, PCB Leads, with Detent Module (Up to 6 gangs) | P260D |
| Top Adjust, PCB Leads, Potentiometer Module (Up to 2 gangs) | P260T |
| Potentiometer Module with Wire Leads (Up to 6 gangs) | P260L |
| Potentiometer Module with Ribbon Cable (Up to 6 gangs) | P260R |
| Side Adjust, Solder Lug Leads, Potentiometer Module (Up to 6 gangs) | P261P |
| Side Adjust, Solder Lug Leads, with Rotary Switch Module (Up to 5 gangs) | P261S |
| Side Adjust, Solder Lug Leads, with Detent Module (Up to 6 gangs) | P261D |

ELECTRICAL¹

| | |
|------------------------------------|---|
| Resistance Range, Ohms | 500 -1M (for "B" taper) 2K-1M (for other tapers) |
| Standard Resistance Tolerance | ± 10% |
| Residual Resistance, Maximum | 2 ohms |
| Input Voltage, Maximum | 350 Vac |
| Power rating, Watts | 0.5W- B taper, 0.25W- others |
| Dielectric Strength | 1,500Vac, sea level |
| Insulation Resistance, Minimum | 1,000 Megohms |
| Gang Error (Multi-ganged), Maximum | +/-3 dB (-40 dB to 0dB) |
| Actual Electrical Travel, Nominal | 265° |
| Switch Contact Resistance, Maximum | 150 milliohms max. |
| Switch Power Rated | 0.5A at 30Vdc |

¹ Specifications subject to change without notice.

Model P260/P261

MECHANICAL

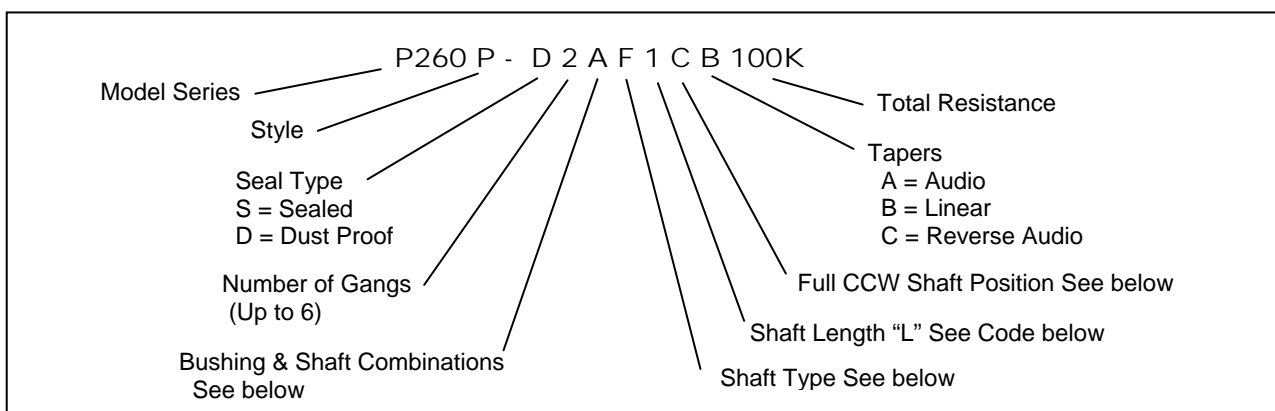
| | |
|----------------------------|---|
| Total Mechanical Travel | 295°± 10° |
| Static Stop Strength | 40 oz-in |
| Rotational Torque, Maximum | 1.5 oz-in (0.5 oz-in each additional gang) |
| Switch Detent, Minimum | 2.0 oz-in |

ENVIRONMENTAL

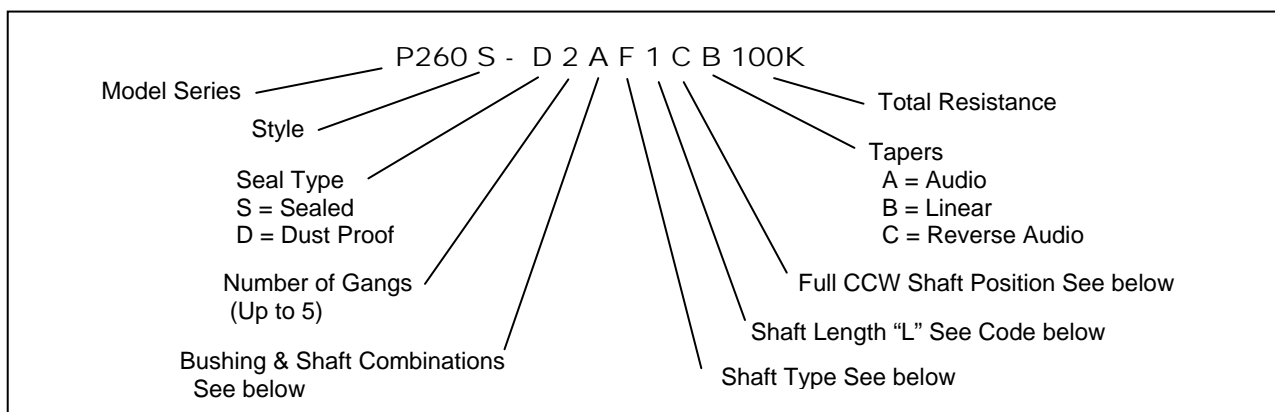
| | |
|-----------------------------|------------------------------------|
| Operating Temperature Range | -55°C to +125°C |
| Rotational Life | 1,000,000 cycles |
| IP Rating | Sealed = IP66 Dust Proof = IP50 |

ORDERING INFORMATION²

P260P/P261P – POTENTIOMETER MODULE



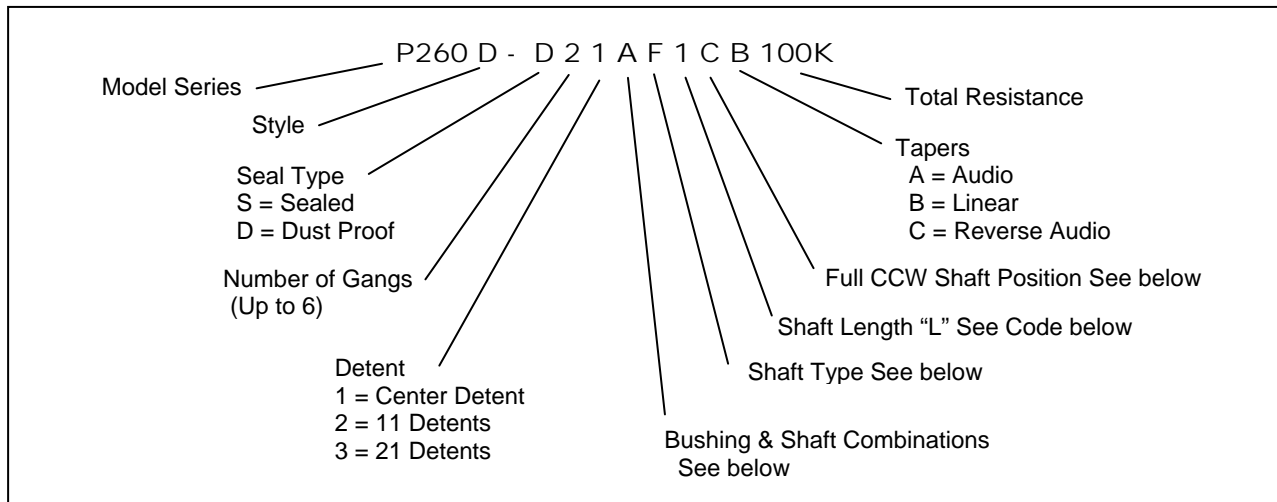
P260S/P261S – WITH ROTARY SWITCH MODULE



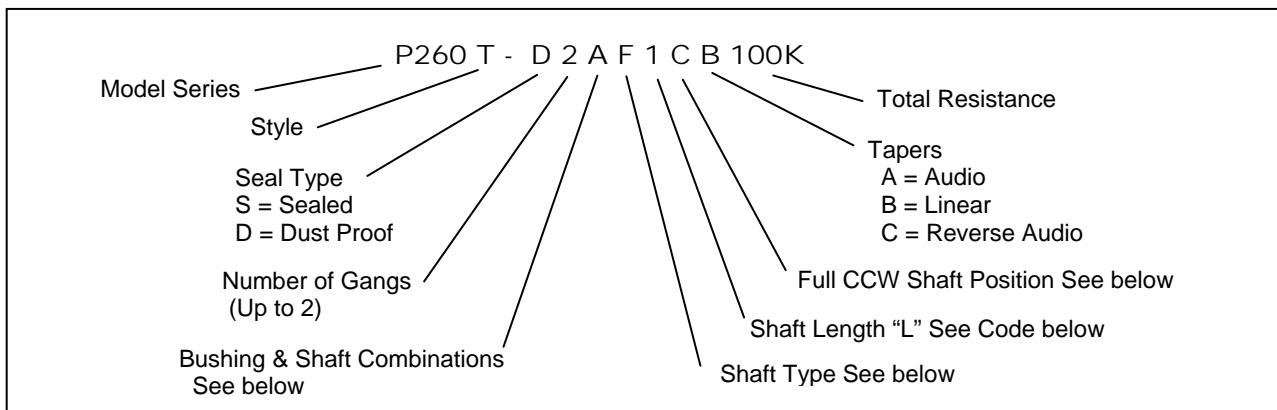
² Contact our customer service for custom designs and features.

Model P260/P261

P260D/P261D - WITH DETENT MODULE



P260T - TOP ADJUST, POTENTIOMETER MODULE



Bushing & Shaft Combinations

| CODE | BUSHING SIZE | BUSHING LENGTH "M" | SHAFT ϕ |
|------|---------------|--------------------|---------------|
| A | 6.35mm (1/4") | 6.35mm (1/4") | 3.2mm (1/8") |
| B | 9.5mm (3/8") | 9.5mm (3/8") | 6.35mm (1/4") |

Model P260/P261

Shaft Type and Shaft Length "L" Code For 3.2mm (1/8")

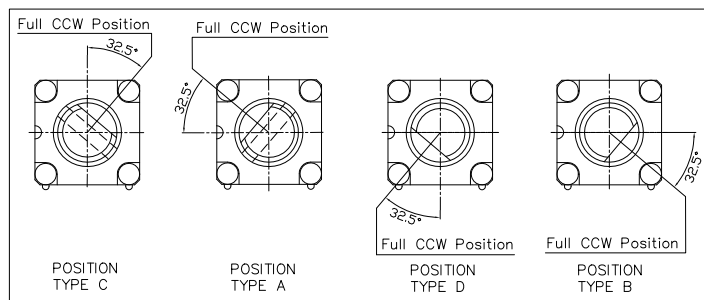
| S-TYPE | | | | | | | F-TYPE | | | | | | |
|--------|----|----|----|----|----|----|--------|----|----|----|----|----|----|
| | | | | | | | | | | | | | |
| L | 12 | 16 | 20 | 24 | 28 | 32 | L | 12 | 16 | 20 | 24 | 28 | 32 |
| T | | | | | | | T | 4 | 5 | 8 | 8 | 8 | 10 |
| CODE | 1 | 2 | 3 | 4 | 5 | 6 | CODE | 1 | 2 | 3 | 4 | 5 | 6 |

Shaft Type and Shaft Length "L" Code For 6.35mm (1/4")

| S-TYPE | | | | | | | F-TYPE | | | | |
|--------|----|----|----|----|----|----|--------|----|----|----|----|
| | | | | | | | | | | | |
| L | 12 | 16 | 20 | 24 | 28 | 32 | L | 20 | 24 | 28 | 32 |
| T | | | | | | | T | 8 | 8 | 12 | 12 |
| CODE | 1 | 2 | 3 | 4 | 5 | 6 | CODE | 3 | 4 | 5 | 6 |

Shaft Position (F-Type Shaft)

Dashed lines on Type "C" and Type "A" shows position of adjustment slot for S-Type



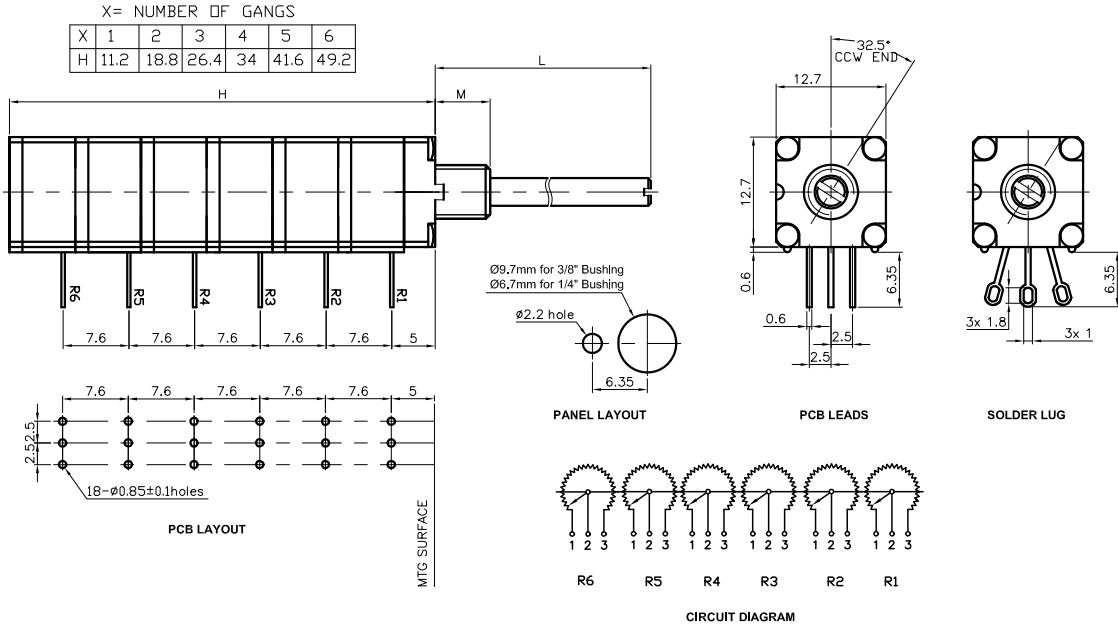
STANDARD RESISTANCE VALUES, OHMS

| | | | | | | | | | | |
|-----|----|----|----|-----|-----|-----|------|------|------|------|
| 500 | 1K | 2K | 5K | 10K | 20K | 50K | 100K | 200K | 500K | 1MEG |
|-----|----|----|----|-----|-----|-----|------|------|------|------|

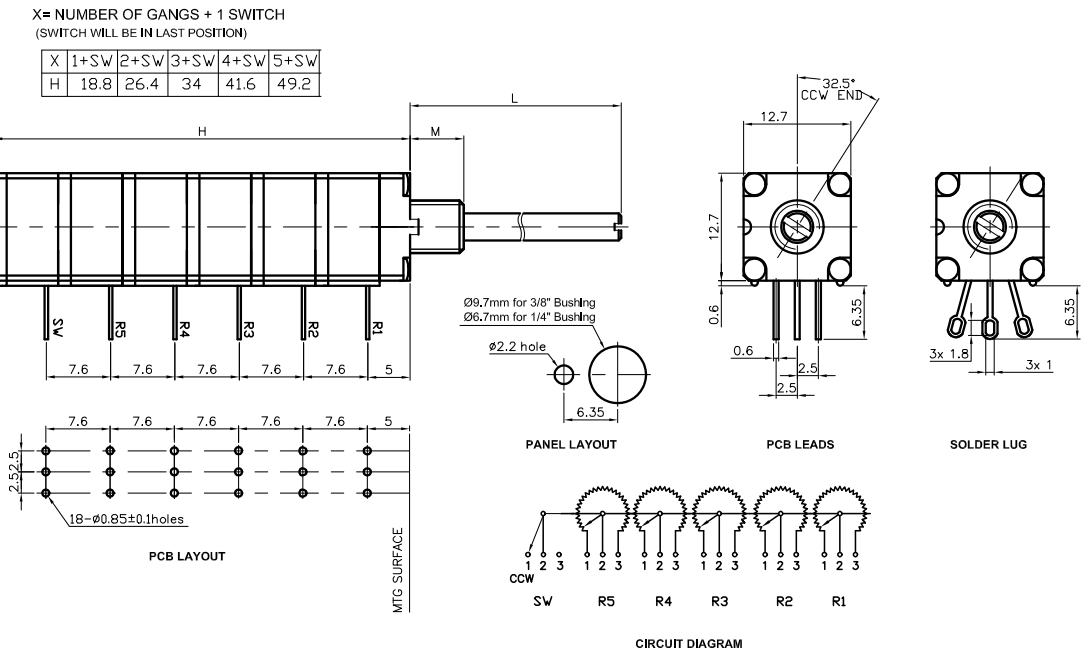
Model P260/P261

OUTLINE DRAWING

P260P/P261P – POTENTIOMETER MODULE

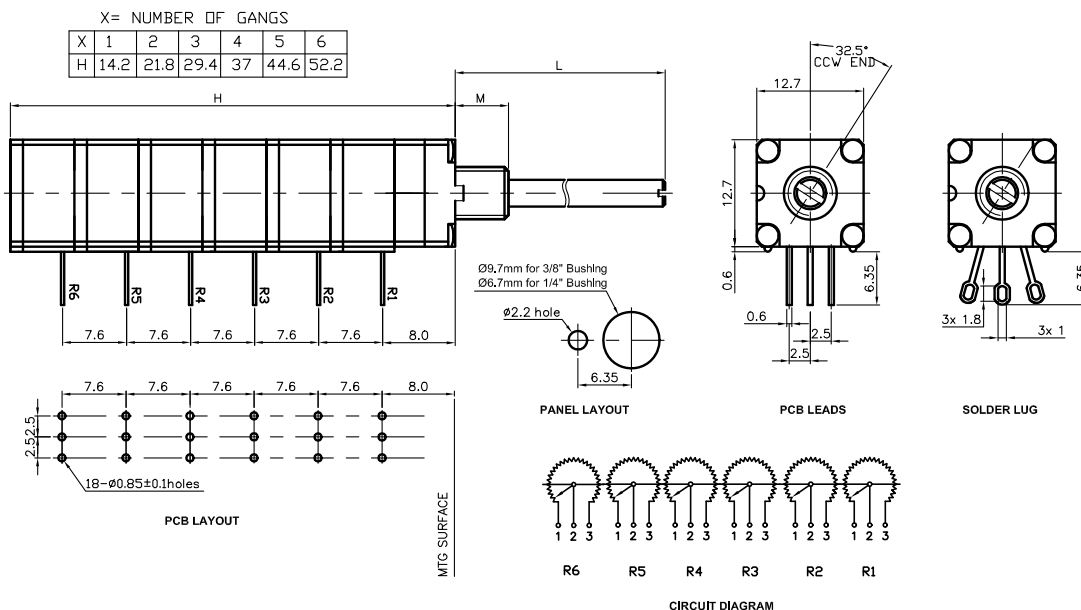


P260S/P261S – WITH ROTARY SWITCH MODULE

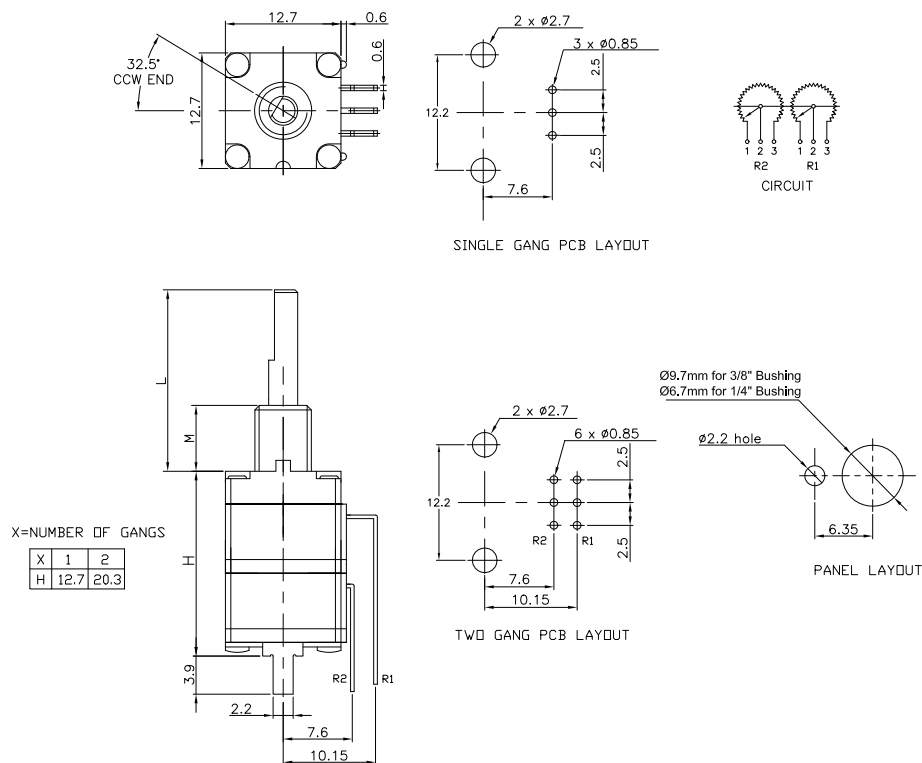


Model P260/P261

P260D/P261D - WITH DETENT MODULE



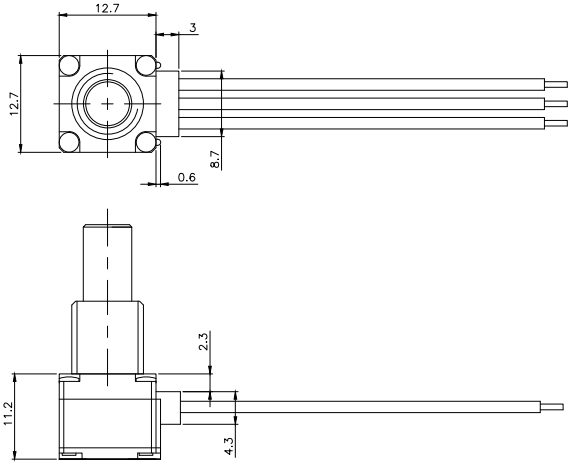
P260T - TOP ADJUST, POTENTIOMETER MODULE



Model P260/P261

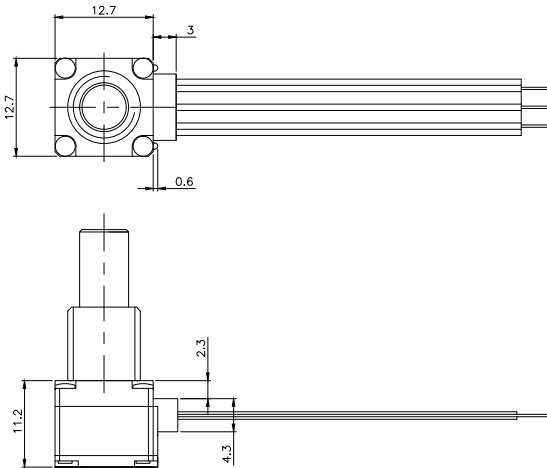
P260L - WITH WIRE LEADS

Consult factory for details and options



P260R - WITH RIBBON TYPE CABLE

Consult factory for details and options



Mouser Electronics

Authorized Distributor

Click to View Pricing, Inventory, Delivery & Lifecycle Information:

TT Electronics:

[P260S-D1AF1CB100K](#) [P260P-D1AF3CB10K](#) [P260P-S2BF3CB10K](#) [P260D-D22AF3CB10K](#) [P260P-S1AF3CB10K](#)
[P260T-S1AF1DB100K](#) [P260P-D2BF5CA5K](#) [P260D-S22AF3CB10K](#) [P260P-D1BS4CA1K](#) [P260S-D2BF3CB10K](#)
[P260S-D1AS3CB5K](#) [P260P-S1AS1CA10K](#) [P260P-D2BS20CA500K](#) [P260P-D2BF3CB10K](#) [P260S-D1AF3CB10K](#)
[P260T-S1BS3CB100K](#) [P260P-S1AS4CB50K](#) [P260T-D1BS4CB1K](#) [P260P-D1AS1AB100K](#) [P260S-S1AF3CB10K](#)
[P260D-D12BF3CB10K](#) [P260P-D1BF3CB10K](#) [P260P-S1BS3CA10K](#) [P260S-D2AF3CB10K](#) [P260D-S12AF3CB10K](#)
[P260P-D1BS4CA10K](#) [P260P-D2BS3AB100K](#) [P260S-D1AS3CB10K](#) [P260D-S13AS1A500K](#) [P260D-S23AF1BB10K](#)
[P260D-S23AF1BB500](#) [P261S-S1BF3CB5K](#) [P260P-D1BS2AC100K](#) [P260P-D1BS3CA100K](#) [P260P-D1BS3CB100K](#)
[P261S-D1BS4CB10K](#) [P261P-S1BS3CA500K](#) [P261P-S1BS4CB10K](#) [P261P-S2AS1CB20K](#) [P261S-D1AF4CB5K](#)
[P261S-D1BS3AB10K](#) [P261P-S1BS3CB200K](#) [P261P-S1BS4CA10K](#) [P261P-S1BS6CA10K](#) [P261S-D1AS3CB2K5](#)
[P261S-D1BF3DB10K](#) [P261S-D2AF3CB10K](#) [P260P-D1AS2CB50K](#) [P260D-D23BS4CA10K](#) [P261P-S1AS1CB50K](#)
[P261P-S1BS1CB200K](#) [P260T-D1BF4DB10K](#) [P260D-S23BF4CB500](#) [P260D-S11BF3CB10K](#) [P261P-D1AS3CB100K](#)
[P260P-D1BS3CB10K](#) [P260P-S2BF4CB500K](#) [P260T-S1BF4DB10K](#) [P261P-D1BS3CB100K](#) [P260P-S1AS3CA10K](#)
[P260P-D1AS4CB1K](#) [P260P-S1AS1CB50K](#) [P260P-S1BS4CB10K](#) [P260P-D1BF3DB50K](#) [P260T-D1BS4CB10K](#)
[P260P-D2BS3CB500K](#) [P261D-S12AF2DB2K](#) [P260P-D2AS2ABR50K](#) [P260P-D1BF2CB50K](#) [P260P-S1BS4CB5K](#)
[P260P-S2BS3CB50K](#) [P260S-D1BS2CB500](#) [P260P-D1BS3CA50K](#) [P260D-S13BF4CA500K](#) [P261P-D2BS3CA100K](#)
[P260P-D2BF3D10K](#) [P260P-D1AS1CB10K](#) [P260P-D1BF3CB50K](#) [P260T-S1BF3CB10K](#) [P261D-S13BS2CB200K](#)
[P260T-S1BS4CB10K](#) [P260P-D1BF20CC10K](#) [P260P-S2BF4CB100K](#) [P260P-D1AS1CB25K](#) [P260S-S2AF1CB100K](#)
[P260T-D1BS3CB100K](#) [P261D-S13BS5AB10K](#) [P260P-D1BS3AA1MEG](#) [P261P-S1AS3CB1K](#) [P260P-S1BS5CB5K](#)
[P260P-D1BS3CB2.5K](#) [P261D-D13AS12CA2K](#) [P260P-D2BF3CA50K](#) [P260P-D2BF3DB50K](#) [P260P-D1BF2CB10K](#)
[P260T-S1AF3CB100K](#) [P260D-S21BSCB50K](#) [P260P-D2AS1CB100K](#) [P260P-D1BS3CB25K](#) [P260T-D1BS3CA100K](#)