

Product Overview

The 7006 BuckBullet™ AC Driver is a constant current device that allows operation of LEDs from low-voltage AC power (8-24VAC). Its moisture-resistant design allows for outdoor use with landscape lighting systems. High-speed electronics allow it to be used with either magnetic transformers or 12VAC electronic transformers commonly found in accent lighting systems.



7006 BuckBullet™ LED Driver Module powering (3) Endor Star LEDs in series ($V_{IN} \geq 12VAC$)

Features

- AC input voltage up to 24VAC RMS
- True constant current output 350mA, 500mA or 700mA*
- Extremely small form factor* (0.5" d x 2" l)
- Output open and short circuit protection
- Not affected by voltage drops on long wire runs



Figure 1.
Wiring Connections

Typical Applications

- Landscape & Garden Lighting
- Architectural Lighting
- Signal & Marker Lighting
- General Illumination Lighting
- Sign Lighting

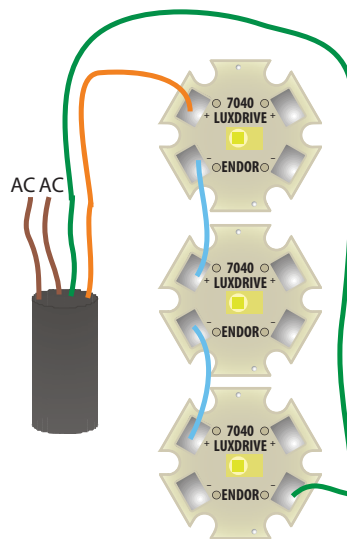


Figure 2.
BuckBullet™ powering (3) Endor Stars in series ($V_{IN} \geq 12VAC$)



* - Units can be customized for OEM applications - Contact LuxDrive for more information.

Part Number Identification Table

Part Number	AC Input	Output Current
7006-H-350	8-24V	350mA
7006-H-500	8-24V	500mA
7006-H-700	8-24V	700mA

Table 1
Product Selection

Cautions:

Input Voltage, maximum. 24VAC RMS, 34VAC Peak
Do NOT connect LED+ or LED- to either V_{IN} or Case Ground
Do NOT operate above rated temperature

Typical Characteristics

Output current tolerance ±10%
Efficiency Up to 95%
Input Voltage Minimum 8VAC
Input Margin (VAC Input - V_{LEDs}) 3VAC
Ripple Current (3 LEDs, 12VAC). 15%

Specifications

Output current, 7006-H-350. 350mA
Output current, 7006-H-500 500mA
Output current, 7006-H-700 700mA
Operating temperature. -40-+60°C
Storage temperature -40-+125°C

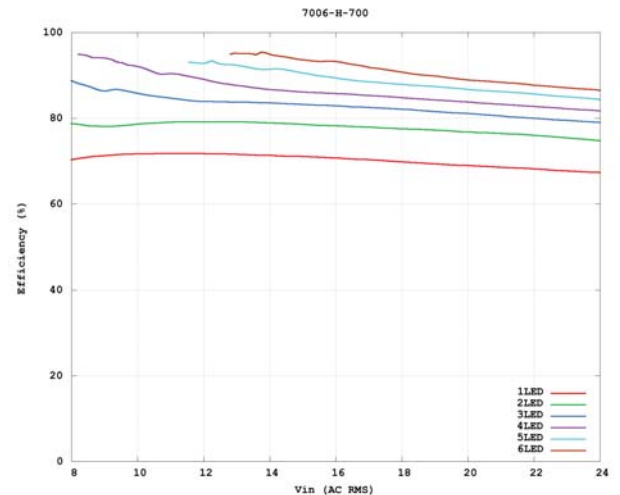
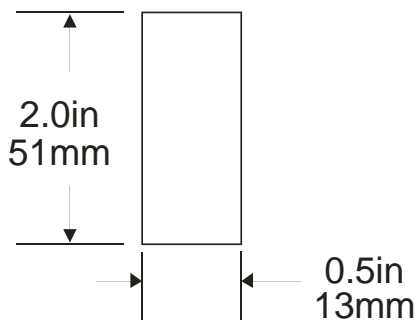


Figure 3.
Efficiency vs. V_{IN}

Physical Dimensions



6" - 18AWG Colored Leads

